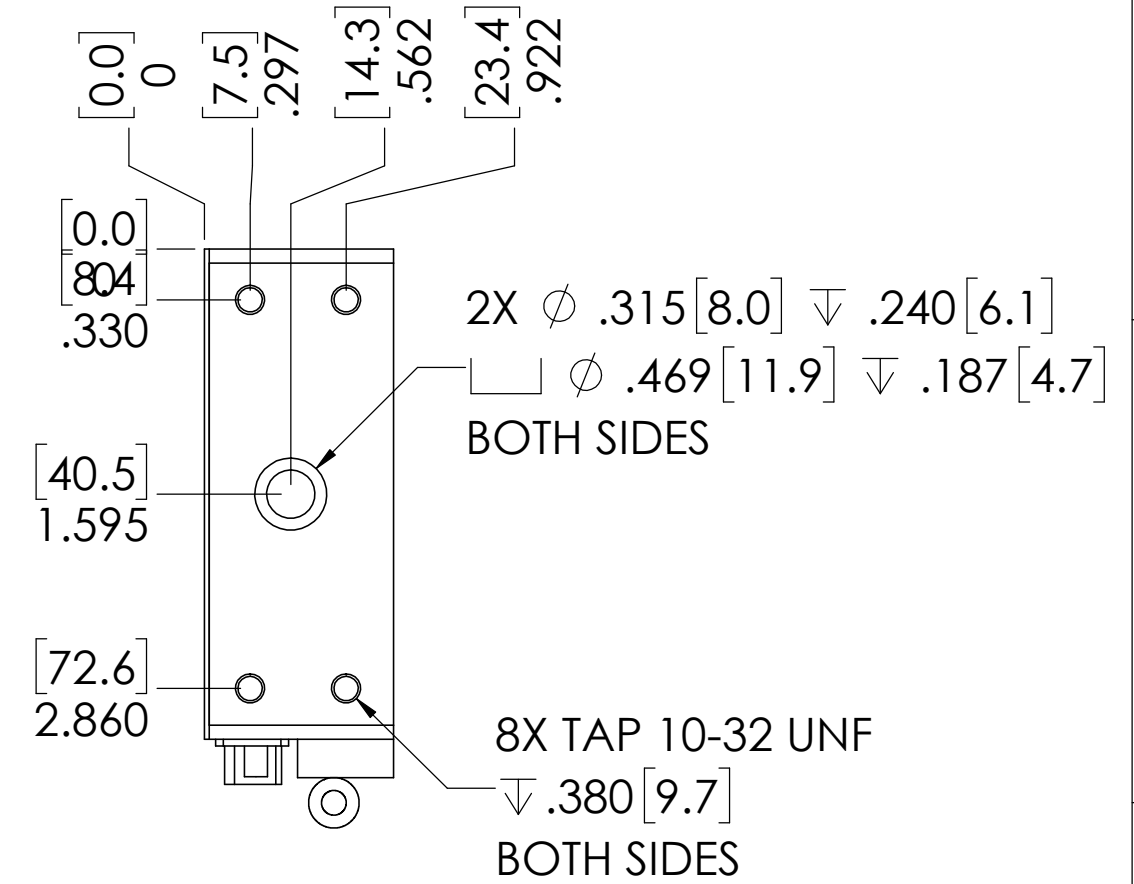
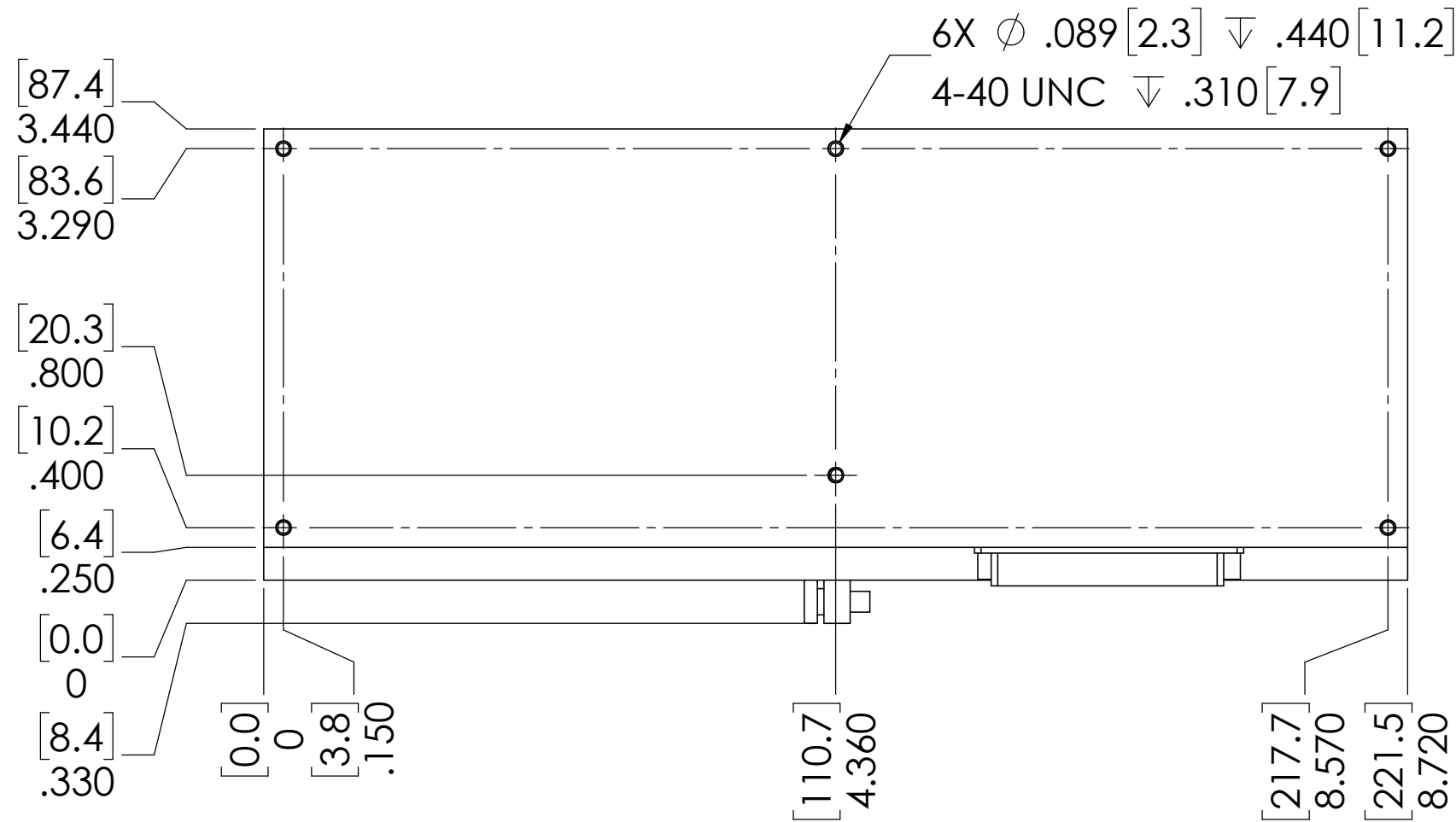
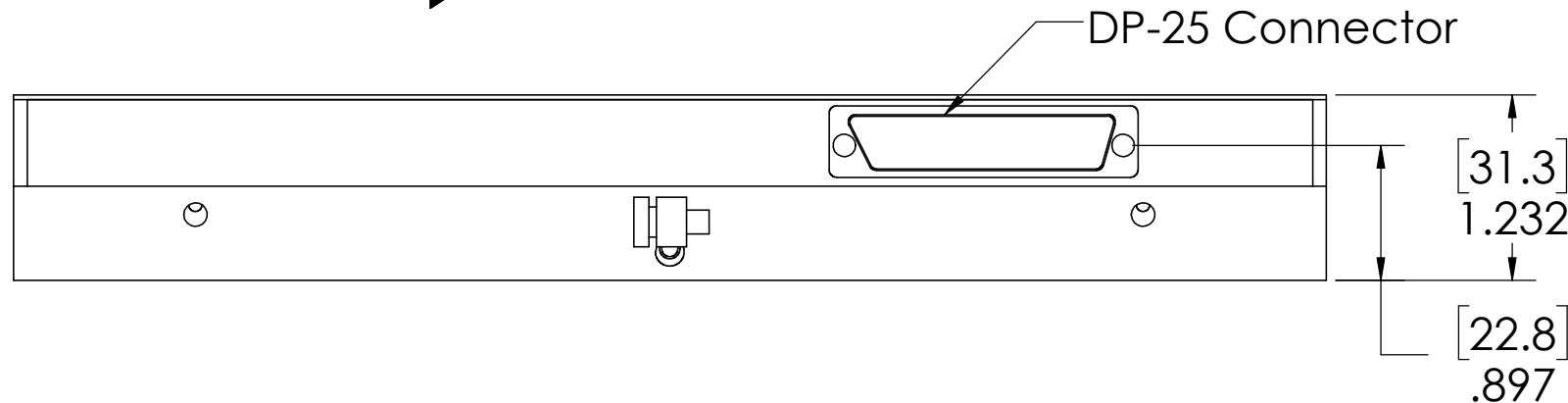


ONLY FORCER SHOWN

REVISION TABLE					
REV	ECN#	DESCRIPTION	REV BY	APPROVED	DATE
--	--	Original Drawing	OOG	MPW	10-24-16
A	1847	Changed sheet format	SDC	MPW	12-5-16



REFERENCE DIRECTION \rightarrow



Equivalent to Baldor P/N: LMSS2508-4AA2, Spec # SQ0057A00



H2W Technologies, Inc.
 Santa Clarita, CA 91350 USA
 Tel: (661) 291-1620
www.h2wtech.com

These drawings and specifications are the property of H2W Technologies, Inc. They are issued in confidence and shall not be reproduced, copied, or used without written permission from H2W Technologies, Inc.

UNLESS SPECIFIED OTHERWISE:
 All dimensions are in inches
 Standard Tolerances are as follows
 .XXX \pm .005 ANGLES \pm .1°
 .XX \pm .010 FILLETS .010
 .X \pm .020 CORNERS .010
 Remove All Burrs and Sharp Edges

**FOR
 REFERENCE
 ONLY**

MATERIAL

FINISH

TITLE

Single Axis Stepper Model #:
STS-5030-A4

DWG # **10-0617**

REV **A**

DATE 12-5-16 SHEET 1 of 3

1

2

3

4

5

FORCER & OPTIONAL PLATEN SHOWN

A

A

Optional Platen

STS-5030-A4 FORCER

B

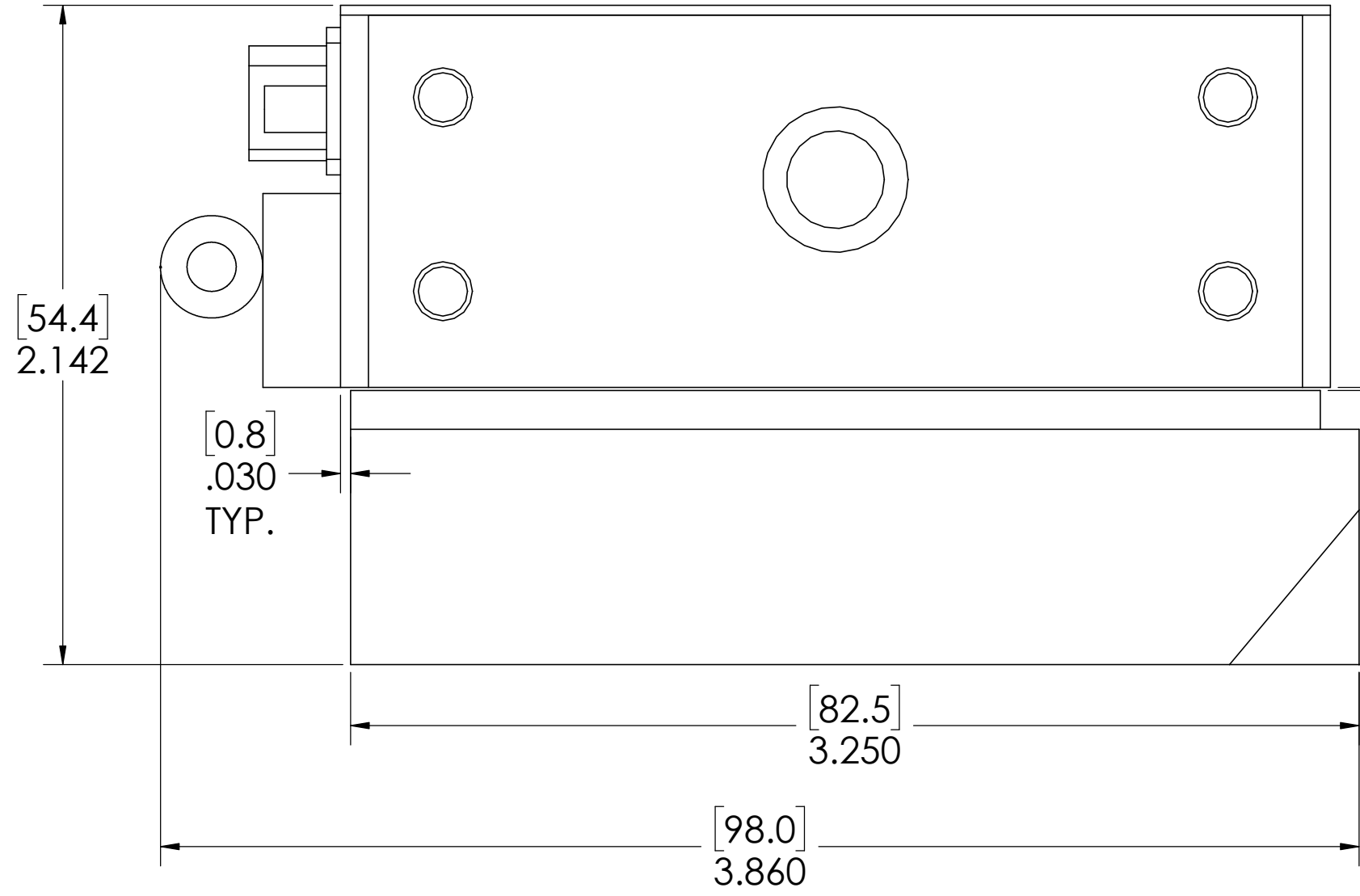
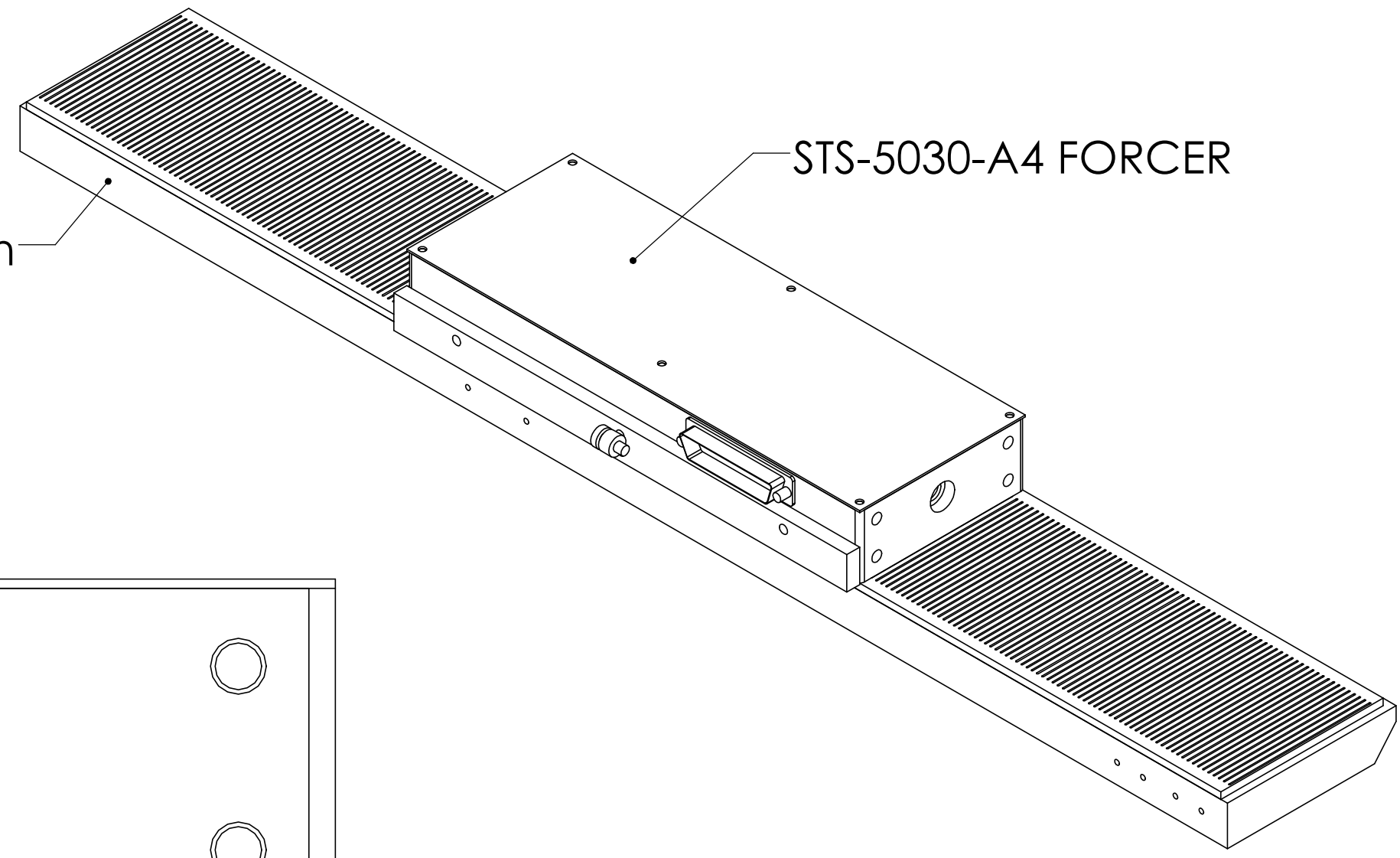
B

C

C

D

D



1

2

3

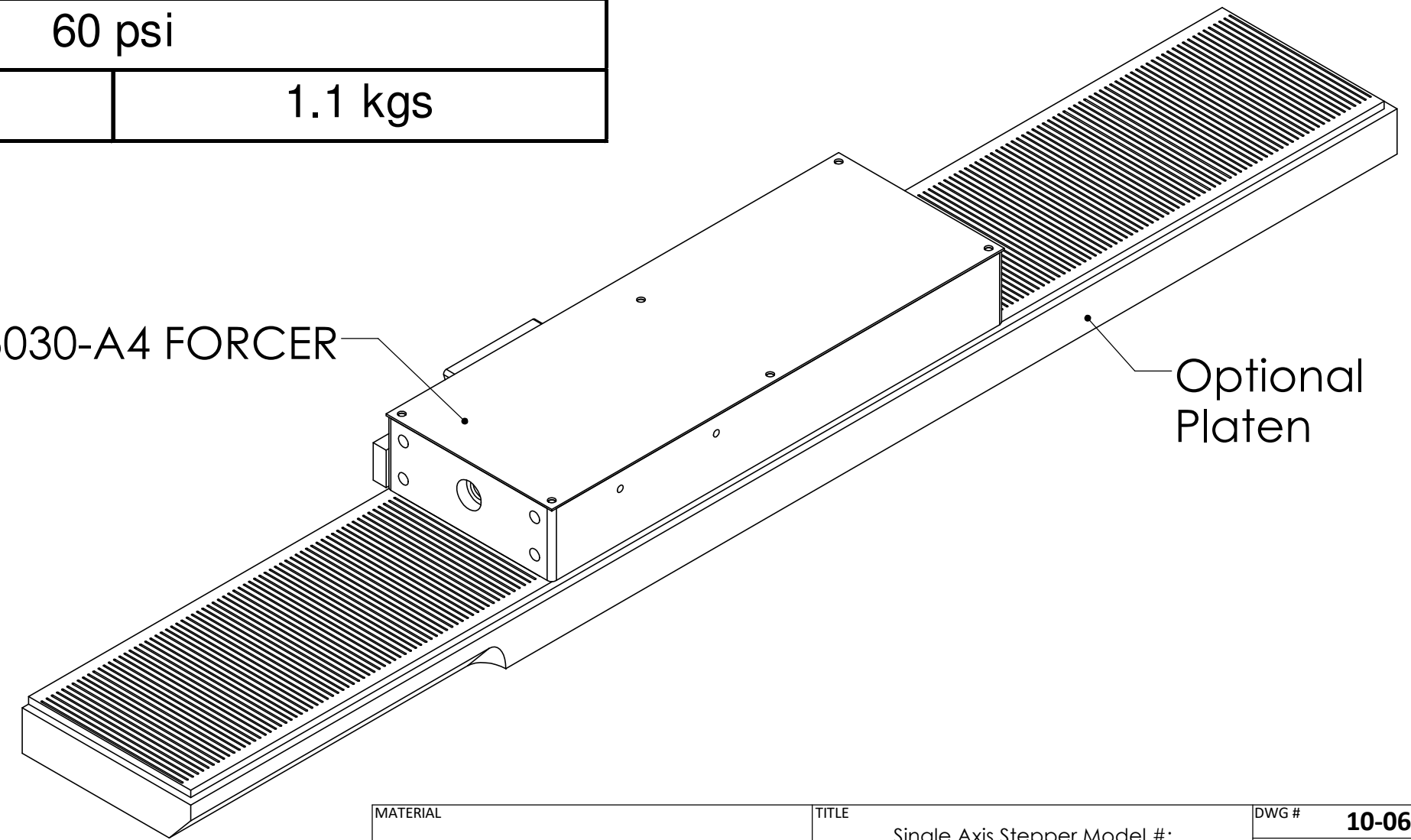
4

5

FORCER & OPTIONAL PLATEN SHOWN

LINEAR STEPPER MOTOR SPECIFICATIONS

Motor P/N	STS-5030-A4	
Continuous Force	50 LBS	222 N
Rated Current/Phase	4 Amps	
Resistance/Phase @ 20C	4.6 ohms	
Inductance/Phase @ 20C	3.0 mH	
Motor Phases	4	
Bearing Type	Air Bearing	
Nominal Air Pressure	60 psi	
Motor Mass	2.4 lbs	1.1 kgs



A

A

B

B

C

C

D

D



H2W Technologies, Inc.
 Santa Clarita, CA 91350 USA
 Tel: (661) 291-1620
www.h2wtech.com

These drawings and specifications are the property of H2W Technologies, Inc. They are issued in confidence and shall not be reproduced, copied, or used without written permission from H2W Technologies, Inc.

UNLESS SPECIFIED OTHERWISE:
 All dimensions are in inches
 Standard Tolerances are as follows
 .XXX ±.005 ANGLES ±.1°
 .XX ±.010 FILLETS .010
 .X ±.020 CORNERS .010
 Remove All Burrs and Sharp Edges

FOR REFERENCE ONLY

MATERIAL	
FINISH	

TITLE
 Single Axis Stepper Model #:
STS-5030-A4

DWG #	10-0617
REV	A
DATE	12-5-16
SHEET	3 of 3