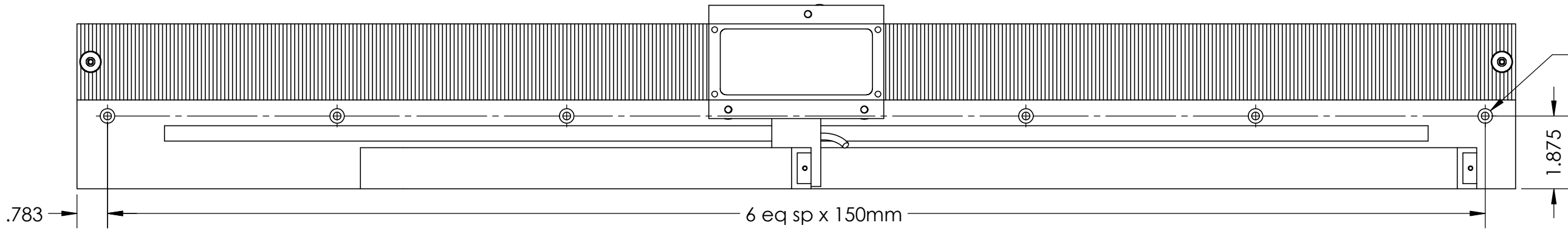
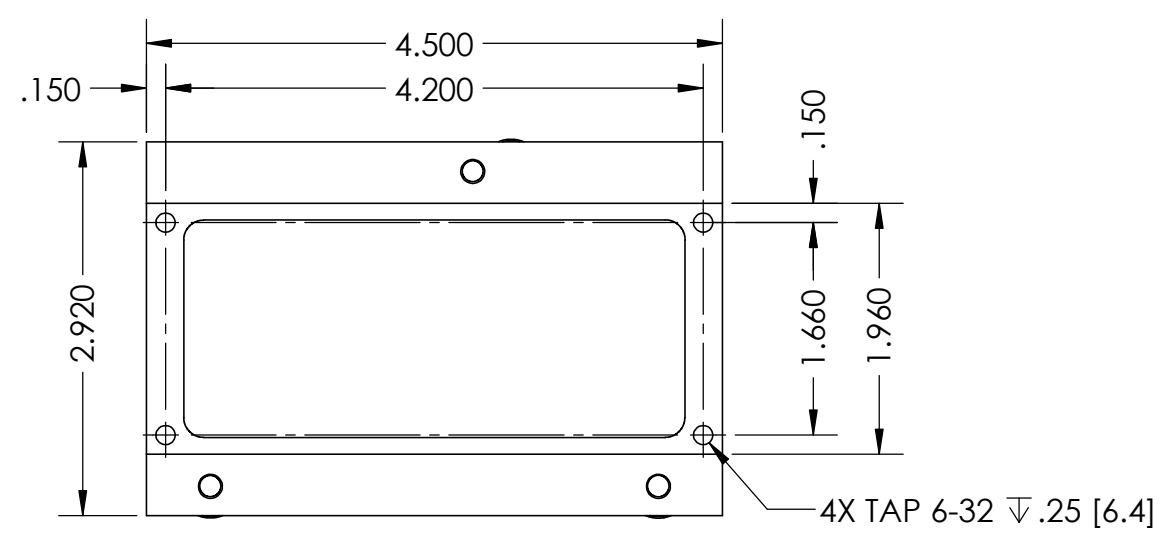
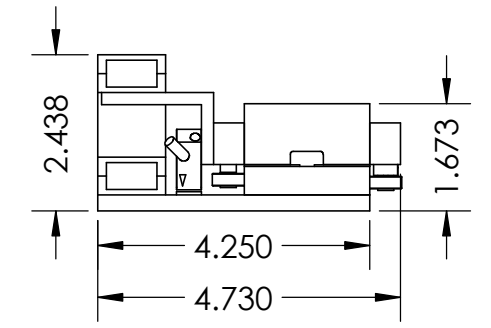
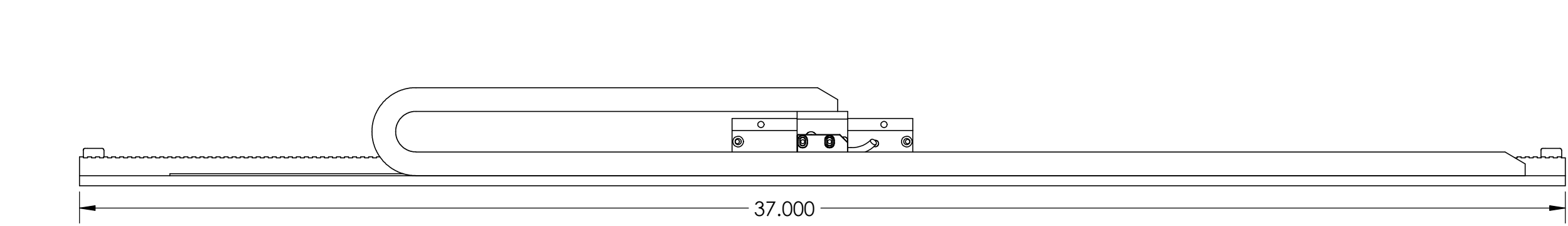


REVISION TABLE					
REV	ECN#	DESCRIPTION	REV BY	APPROVED	DATE
---	---	Original Drawing	OOG	MPW	11-9-2020



7x M5 C'Bore



MOVING MOTOR MOUNTING HOLES

1

2

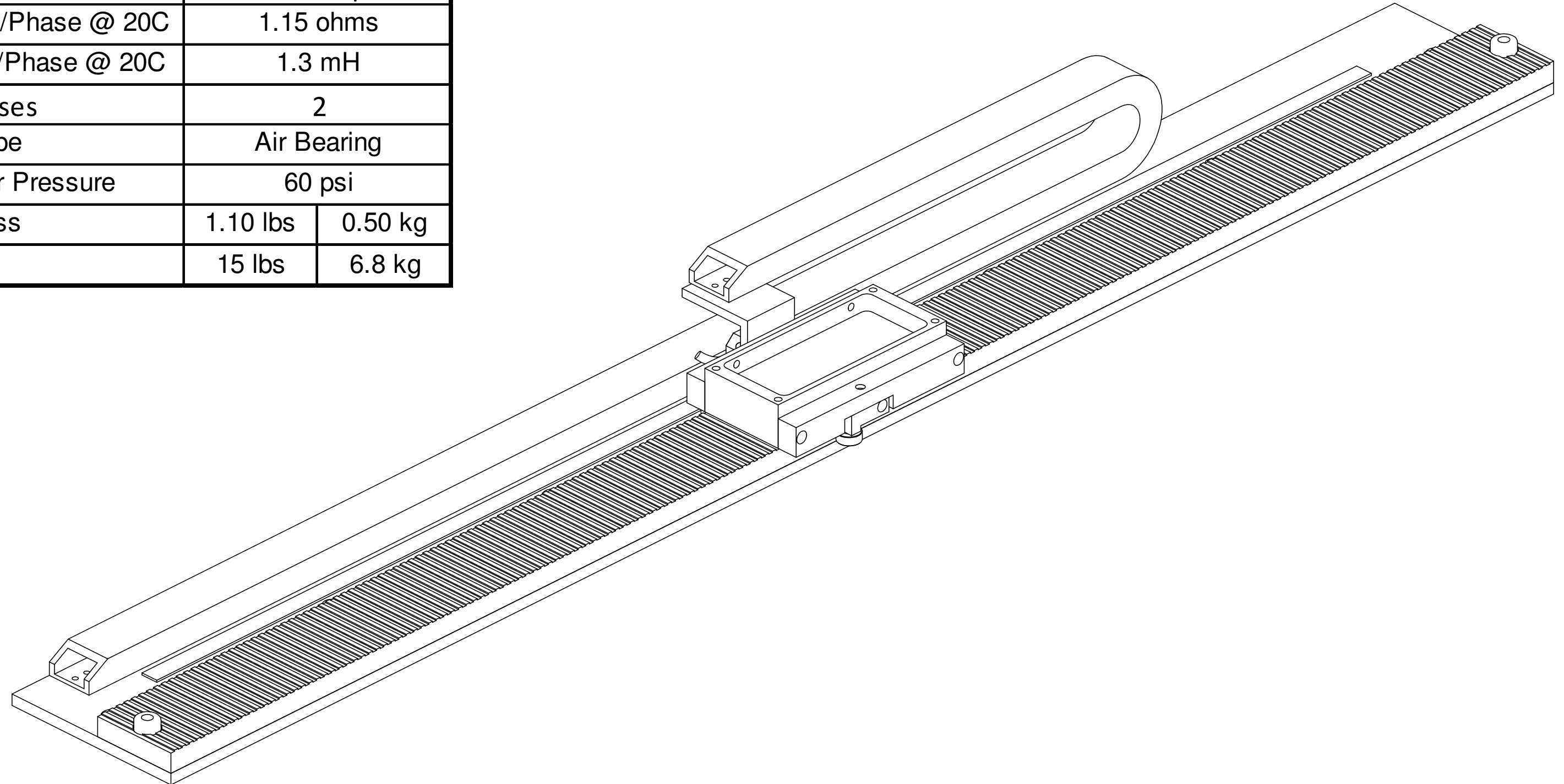
3

4

5

### LINEAR STEPPER STAGE SPECIFICATIONS

Motor P/N	STS-1220-AP3	
Continuous Force	11.0 lbs	48.8 N
Stroke	31in	788mm
Encoder Resolution	1 micron	
Rated Current	4.0 Amp	
Resistance/Phase @ 20C	1.15 ohms	
Inductance/Phase @ 20C	1.3 mH	
Motor Phases	2	
Bearing Type	Air Bearing	
Nominal Air Pressure	60 psi	
Moving Mass	1.10 lbs	0.50 kg
Total Mass	15 lbs	6.8 kg



A

A

B

B

C

C

D

D