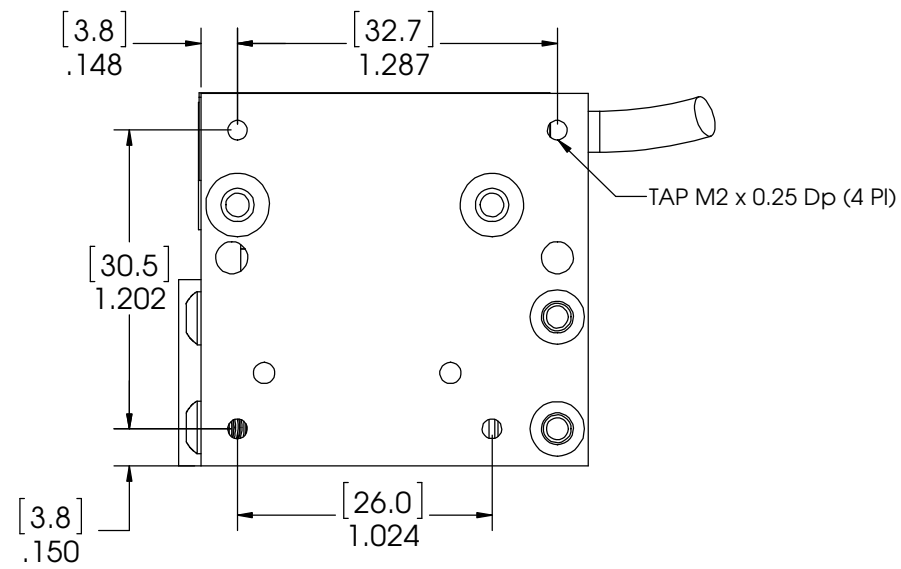
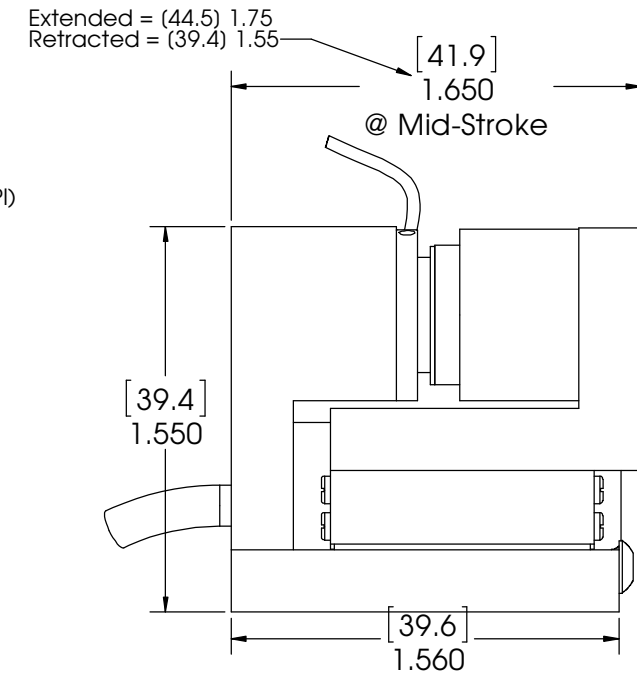
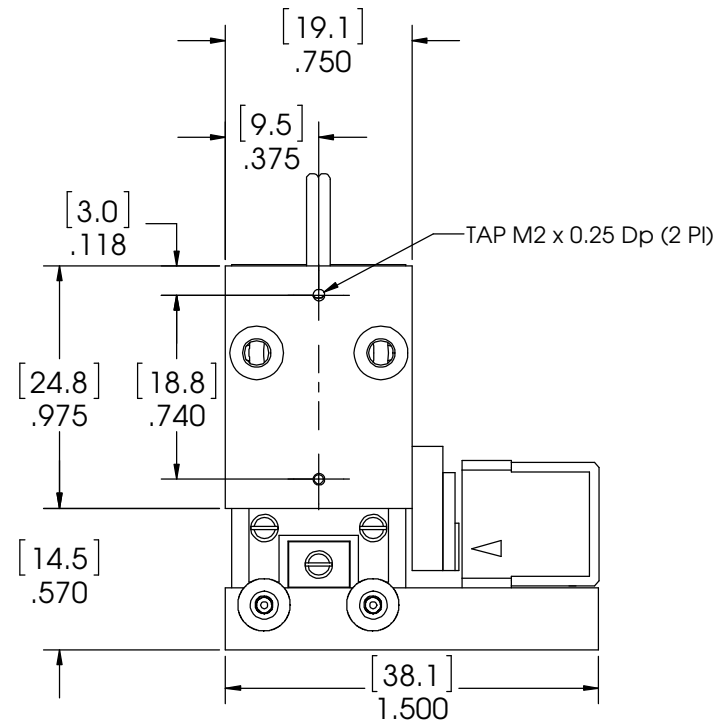
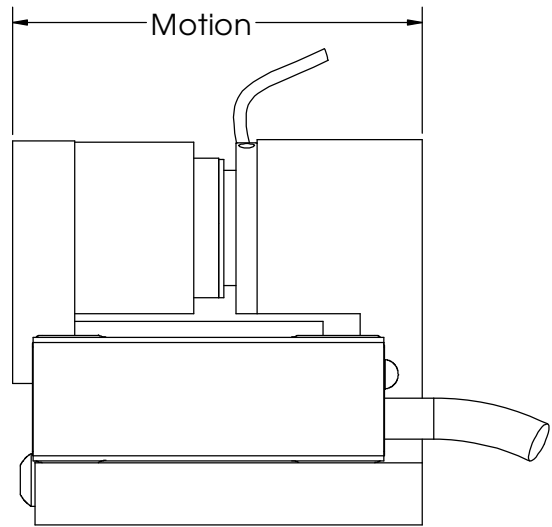
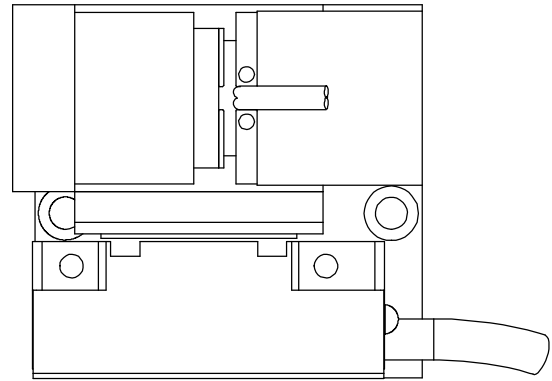


These drawings and specifications are the property of H2W Technologies, Inc. They are issued in confidence and shall not be reproduced, copied, or used without written permission from H2W Technologies, Inc.

REVISION TABLE					
REV	ECN#	DESCRIPTION	REV BY	APPROVED	DATE
---	---	Original Drawing	OOG	MPW	6-4-13



Dual Dimension: (mm) in

UNLESS SPECIFIED OTHERWISE:  
 All dimensions are in inches  
 Standard Tolerances are as follows:  
 XXX = .005 ANGLES ±1°  
 XX = .010 FILLETS AND  
 X = .020 CORNERS R10  
 Remove All Burrs and Sharp Edges

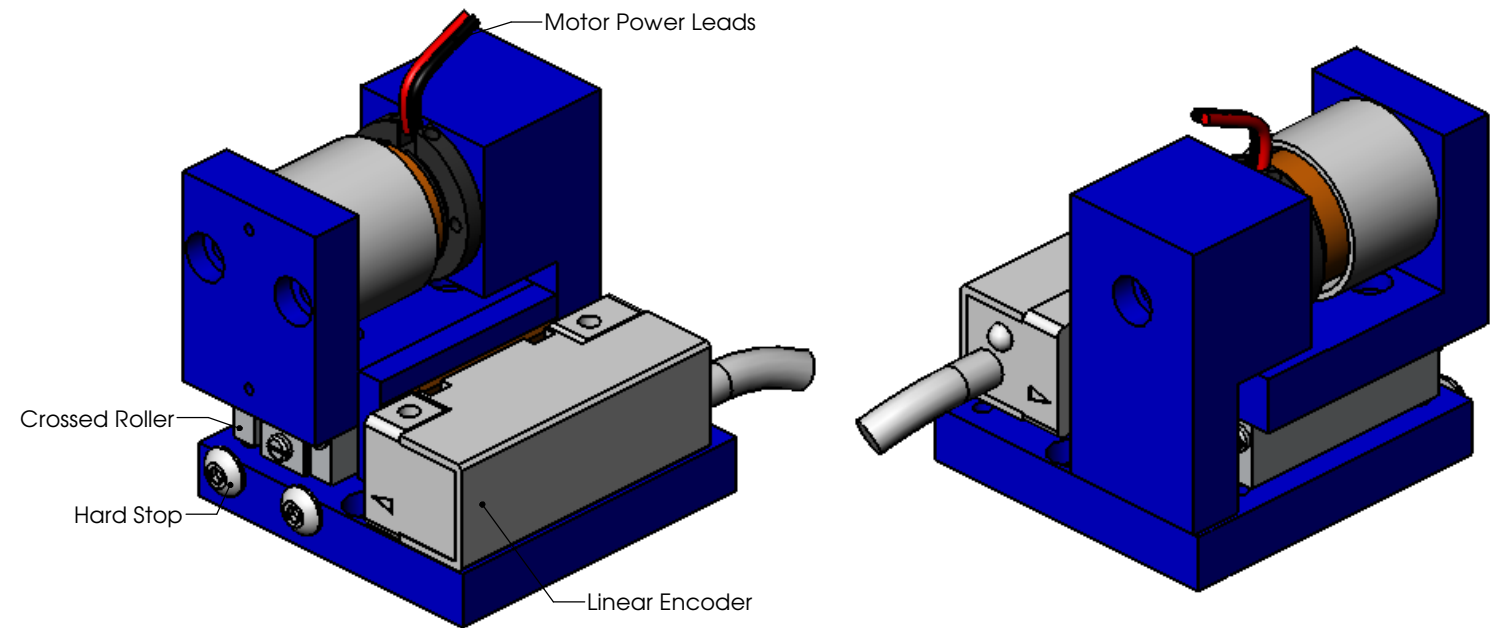
MATERIAL		FINISH	

TITLE			
Voice Coil Positioning Stage			
Model #: VCS02-001-CR-01-MC			
DWG #	REV	DATE	SHEET
31-0643	---	6-4-13	1 of 2

**H2W Technologies, Inc.**  
 26470 Ruelter Ave #102 Santa Clara, CA 95050 USA  
 Tel: (661) 251-2081 Fax: (661) 251-2067  
 www.h2wtech.com

These drawings and specifications are the property of H2W Technologies, Inc. They are issued in confidence and shall not be reproduced, copied, or used without written permission from H2W Technologies, Inc.

VOICE COIL POSITIONING STAGE SPECIFICATIONS		
Motor P/N	NCC02-07-001-1R	
Stroke	0.20IN	5.1mm
Encoder Resolution	1 micron	
Bearing Type	Crossed Roller	
Moving Mass	1.30 oz	37 grams
Total Mass	3.86 oz	109 grams
Resistance @ 20C	2.1 ohms	
Inductance @ 20C	160 $\mu$ H	
Electrical Time Constant	76 $\mu$ sec	
Motor Constant	0.26 LBS/SQRT(Watt)	1.17 N/SQRT(Watt)
Force Constant	0.39 LBS/Amp	1.71 N/Amp
Back EMF	0.04 V/ips	1.71 V/m/sec
Continuous Force	0.26 LBS	1.16 N
Max Power @ 100% Duty	1 Watt	
Peak Force	0.78 LBS	3.50 N
Max Power @ 10% Duty	9 Watts	



**H2W Technologies, Inc.**  
 26470 Rueder Ave #102 Santa Clara, CA 95050 USA  
 Tel: (661) 251-2081 Fax: (661) 251-2087  
 www.h2wtech.com

TITLE		
Voice Coil Positioning Stage		
Model #: VCS02-001-CR-01-MC		
DWG #	REV	SHEET
31-0643	---	2 of 2