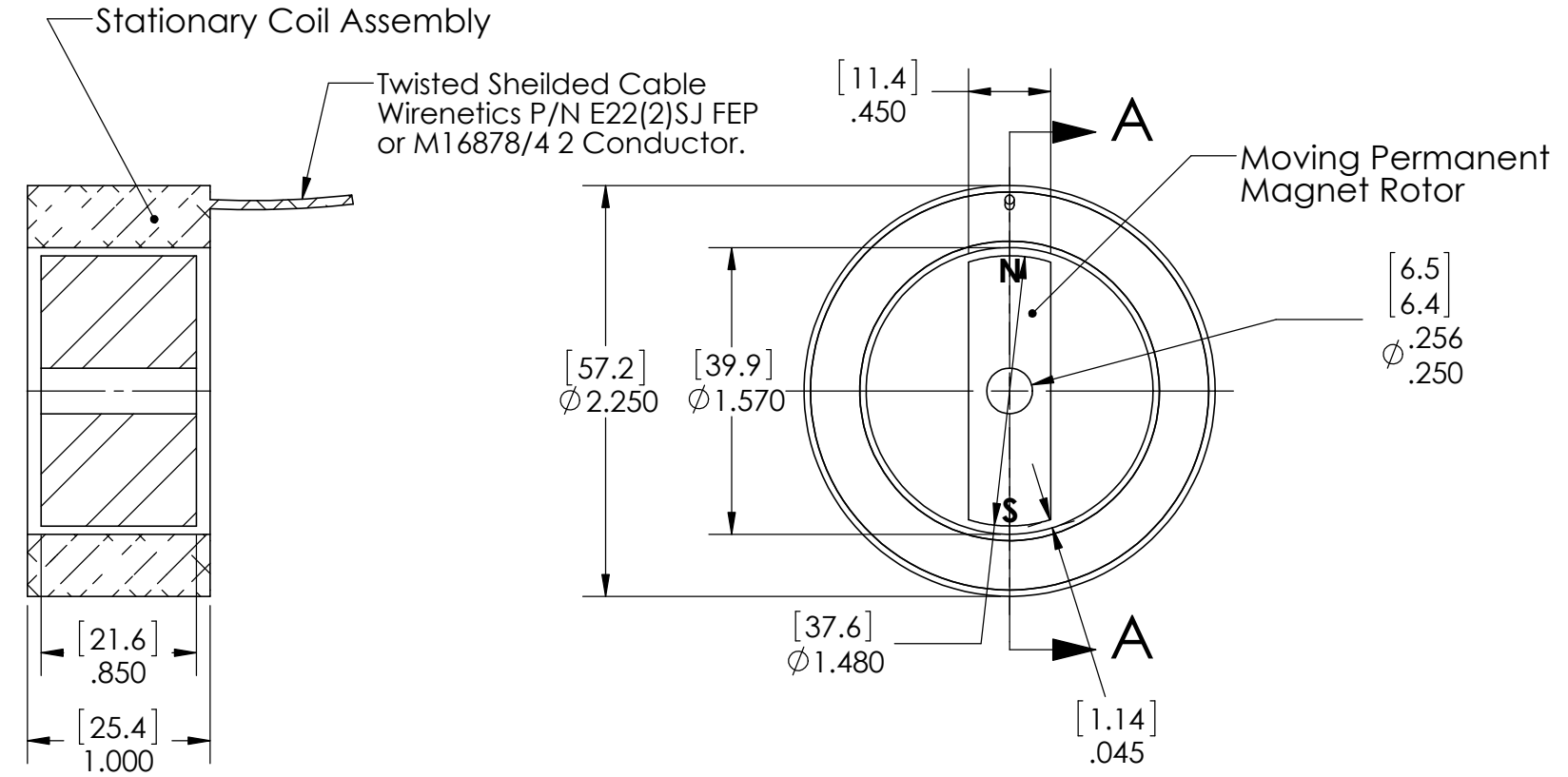
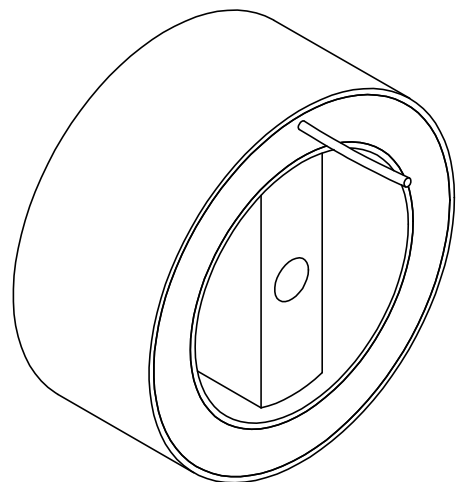


These drawings and specifications are the property of H2W Technologies, Inc. They are issued in confidence and shall not be reproduced, copied, or used without written permission from H2W Technologies, Inc. (www.h2wtech.com)



Shown in the middle of the travel. When + is connected to White, and - is connected to Black the rotor will turn clockwise as shown in the view above.



UNLESS SPECIFIED OTHERWISE: All dimensions are in inches Standard Tolerances are as follows .XXX ±.005 ANGLES ±1° .XX ±.010 FILLETS .010 X ±.020 CORNERS .010 Remove All Burrs and Sharp Edges				MATERIAL		TITLE Limited Angle Torque Motor Model# TMR-150-23-010-2	
				FINISH			
DRAWN	DATE	APPROVED	DATE	DWG #	REV	SHEET	
JRM	5-24-07	MPW	5-24-07	80-0169	A	1 of 2	

H2W Technologies, Inc.
 28310-C Ave Crocker Valencia, CA 91355 USA
 Tel: (661)-702-9346 Fax: (661)-702-9348
 www.h2wtech.com

LIMITED ANGLE TORQUE MOTOR SPECIFICATIONS		
Motor P/N	TMR-150-23-010-2	
Device Type	MR	
Stroke	150 degrees	2.62 radians
Radial Clearance	0.045 in	1.14 mm
Housed with Bearings	No	
Rotor Inertia	0.49 oz-in ²	8.99 E-6 kg-m ²
Total Mass	0.45 lbs	0.20 kgs
Resistance @ 20C	30 ohms	
Inductance @ 20C	8.4 mH	
Electrical Time Constant	0.28 msec	
Motor Constant	2.52 in-oz/sqrt(watt)	1.76 N-cm/sqrt(watt)
Torque Constant	13.8 in-oz/amp	9.6 N-cm/amp
Back EMF	0.01 V/rpm	0.10 V/rad/sec
Torque @ 100% Duty	10 in-oz	7.0 N-cm
Power @ 100% Duty	16 watts	
Current @ 100% Duty	0.7 amps	
Torque @ 10% Duty	30 in-oz	21 N-cm
Power @ 10% Duty	142 watts	
Current @ 10% Duty	2.2 amps	