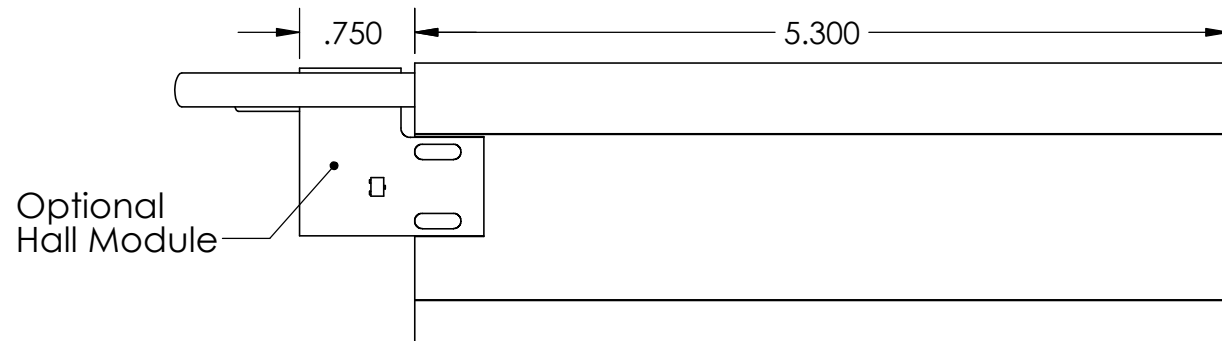
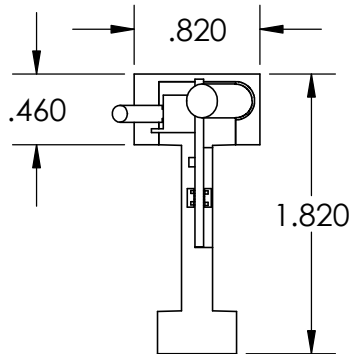
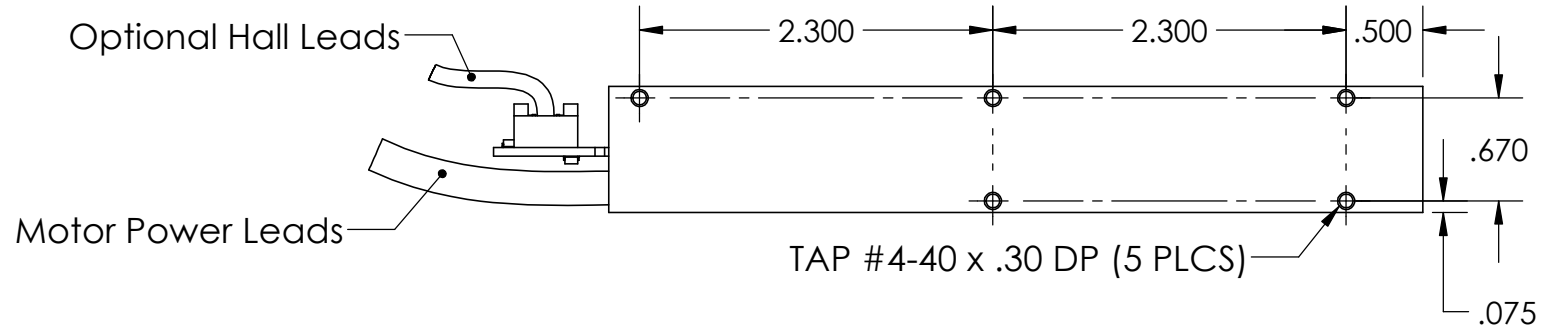


These drawings and specifications are the property of H2W Technologies, Inc. They are issued in confidence and shall not be reproduced, copied, or used without written permission from H2W Technologies, Inc. (www.h2wtech.com)

REVISION TABLE					
REV	ECN#	DESCRIPTION	REV BY	APPROVED	DATE
---	---	Original Drawing	SDC	MPW	5/12/15



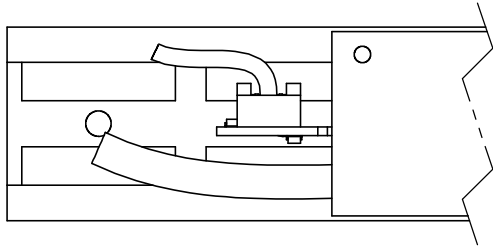
Standard Cable Length = 1 meter

UNLESS SPECIFIED OTHERWISE: All dimensions are in inches Standard Tolerances are as follows .XXX ±.005 ANGLES ±1° .XX ±.010 FILLETS .010 .X ±.020 CORNERS .010 Remove All Burs and Sharp Edges		MATERIAL		TITLE	
FINISH		DRAWN		Ironless Motor Coil Model #: BLDM-B04	
DATE	APPROVED	DATE	DWG #	REV	SHEET
05/12/15	MPW	05/12/15	20-0214	---	1 of 3

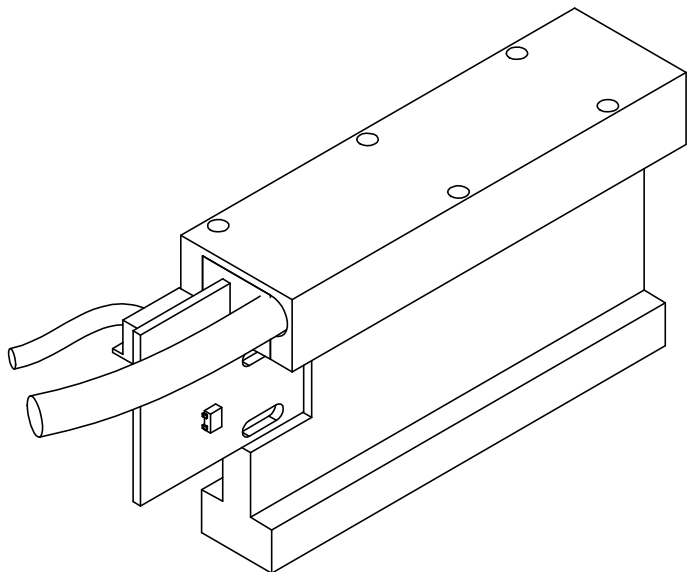
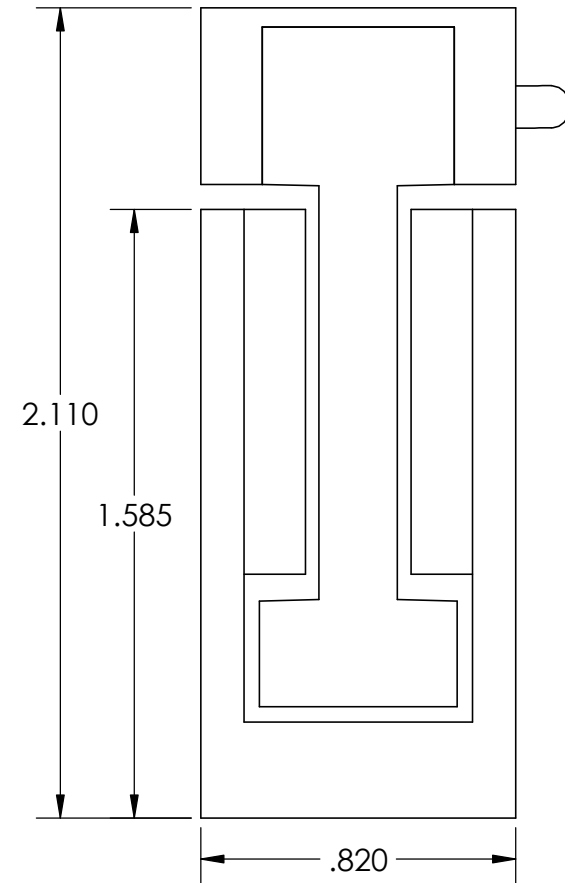


H2W Technologies, Inc.
26380 Ferry Court Santa Clarita, CA 91350 USA
Tel: (661) 291-1620 Fax: (661) 291-1626
www.h2wtech.com

OPTIONAL HALL MODULE MUST BE IN
MAGNET TRACK FOR COMMUTATION



MOTOR COIL SHOWN
WITH MAGNET TRACK



TITLE		
Ironless Motor Coil Model #: BLDM-B04		
DWG #	REV	SHEET
20-0214	---	2 of 3

Motor Specifications		
BLDM-B04		
General		
Continuous Force	lbs [N]	6.2 [27.8]
Continuous Current	Amps	2.1
Continuous Power	Watts	39.3
Peak Force @ 10% Duty	lbs [N]	18.7 [83.3]
Peak Current @ 10% Duty	Amps	6.3
Peak Power @ 10% Duty	Watts	353.7
Electrical		
Force Constant	lbs/Amp [N/Amp]	3.0 [13.2]
Back EMF	V/in/sec [V/m/sec]	0.34 [13.2]
Resistance	Ohms	6.4
Inductance	mH	4
Electrical Time Constant	msec	1
Km Motor Constant	lbs/sqW [N/sqW]	1.17 [5.2]
Mechanical		
Electrical Cycle Length	in [mm]	2.4 [60.96]
Number of Poles	2	
Coil Assembly Length		
with Hall Sensor	in [mm]	6.05 [153.7]
without Hall Sensor	in [mm]	5.3 [134.6]
Coil Assembly Weight	lbs [kg]	0.49 [0.22]
Magnet Track Weight	lbs/in [kg/m]	0.31 [5.5]

Wiring	
Motor	
Phase A	White/Red Stripe
Phase B	White
Phase C	White/Black Stripe
Ground	White/Green Stripe
Thermostat 1	Blue
Thermostat 2	Orange
Hall Effect	
Hall A	White
Hall B	Red
Hall C	Black
Hall Ground	Green
Hall Power (+5-24VDC)	Brown, Orange, Violet, Yellow