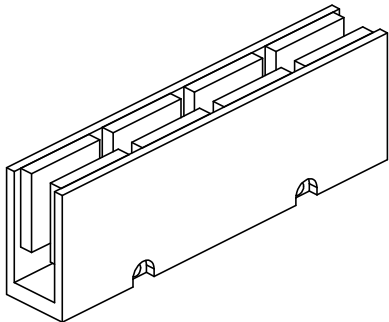
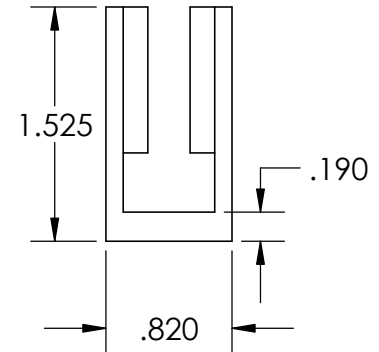
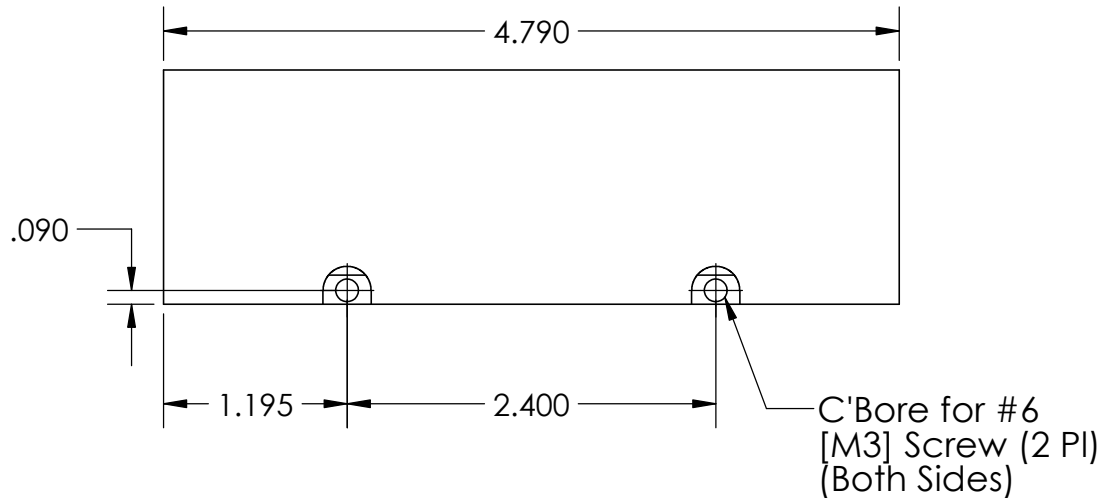
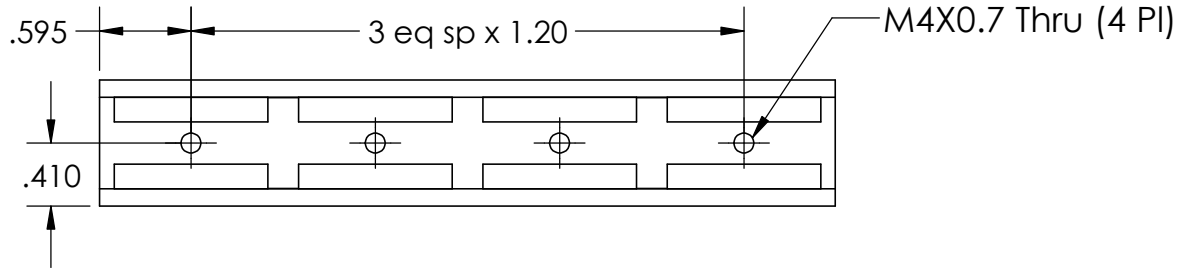


These drawings and specifications are the property of H2W Technologies, Inc. They are issued in confidence and shall not be reproduced, copied, or used without written permission from H2W Technologies, Inc. (www.h2wtech.com)

| REVISION TABLE |      |                  |        |          |         |
|----------------|------|------------------|--------|----------|---------|
| REV            | ECN# | DESCRIPTION      | REV BY | APPROVED | DATE    |
| ---            | ---  | Original Drawing | OOG    | MPW      | 3-15-15 |



|   |         |   |         |   |        |
|---|---------|---|---------|---|--------|
| <p>UNLESS SPECIFIED OTHERWISE:<br/>All dimensions are in inches<br/>Standard Tolerances are as follows<br/>.XXX ±.005 ANGLES ±1°<br/>.XX ±.010 FILLETS .010<br/>.X ±.020 CORNERS .010<br/>Remove All Burs and Sharp Edges</p> |         | <p>MATERIAL</p>   |         | <p>TITLE</p>  |        |
| <p>FINISH</p>   |         | <p>H2W Technologies, Inc.<br/>26380 Ferry Court Santa Clarita, CA 91350 USA<br/>Tel: (661) 291-1620 Fax: (661) 291-1626<br/>www.h2wtech.com</p> |         | <p><b>Ironless Magnet Track</b><br/><b>Model #:BLDT-B04</b></p> |        |
| DRAWN   | DATE    | APPROVED  | DATE    | DWG #   | REV    |
| OOG   | 3-15-15 | MPW   | 3-15-15 | <b>20-0183</b>  | ---    |
|   |         |   |         | SHEET   | 1 of 1 |