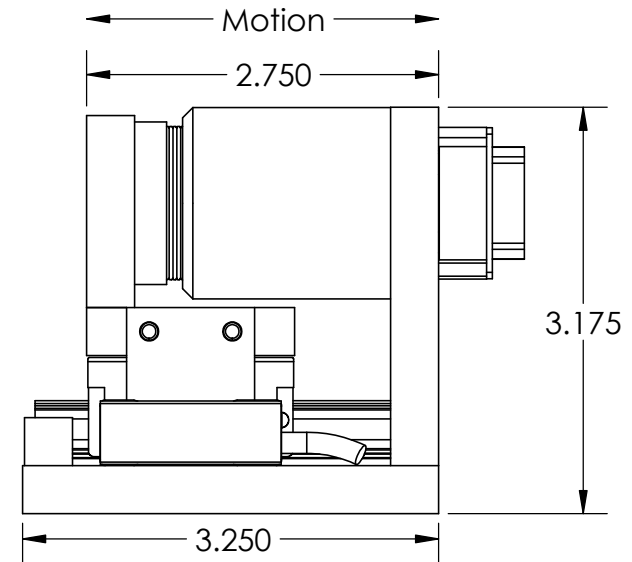
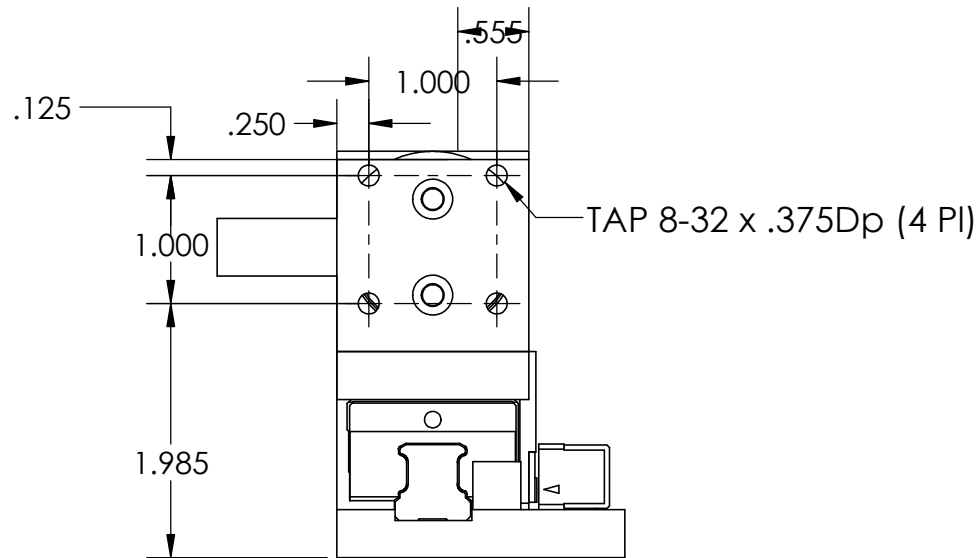
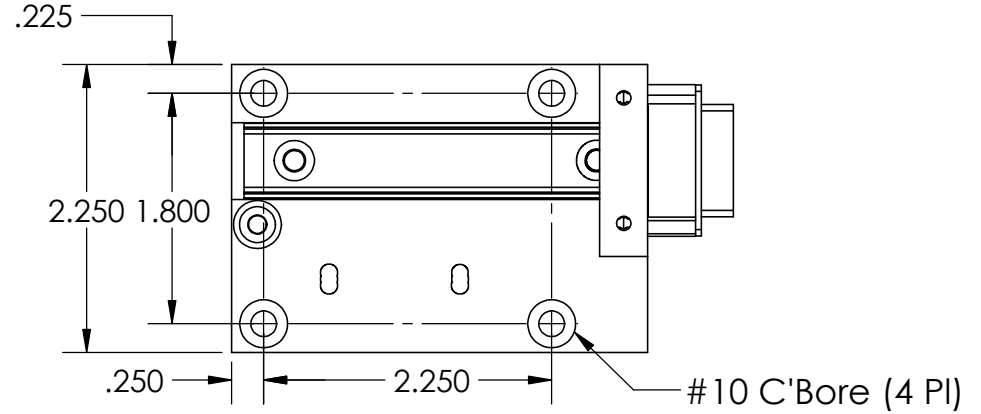


These drawings and specifications are the property of H2W Technologies, Inc. They are issued in confidence and shall not be reproduced, copied, or used without written permission from H2W Technologies, Inc. (www.h2wtech.com)

| REVISION TABLE | | | | | |
|----------------|------|------------------|--------|----------|---------|
| REV | ECN# | DESCRIPTION | REV BY | APPROVED | DATE |
| --- | --- | Original Drawing | OOG | MPW | 5-11-13 |

PARTS HAVE BEEN HIDDEN TO SHOW MOUNTING HOLES



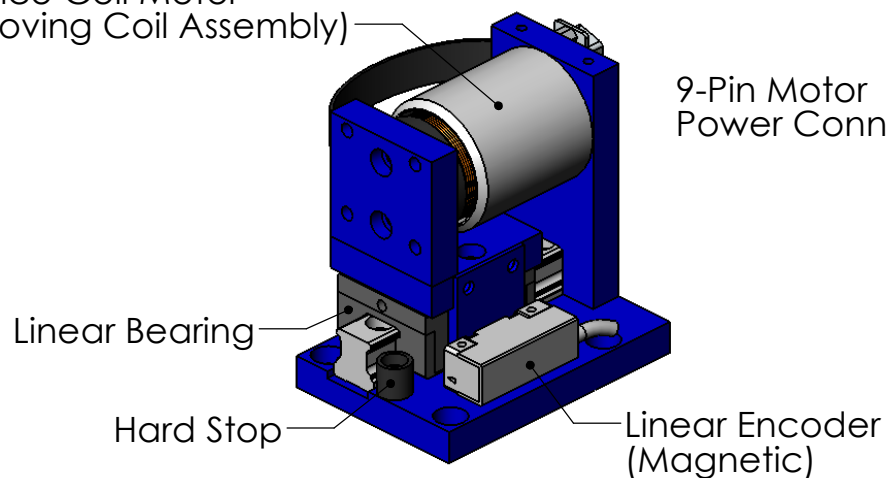
MOTOR SHOWN AT MID-STROKE

| | | | | | | | |
|---|---------|----------|---------|----------|-----|--|--|
| UNLESS SPECIFIED OTHERWISE: All dimensions are in inches Standard Tolerances are as follows .XXX ±.005 ANGLES ±1° .XX ±.010 FILLETS .010 .X ±.020 CORNERS .010 Remove All Burrs and Sharp Edges | | | | MATERIAL | | TITLE | |
| | | | | FINISH | | Voice Coil Positioning Stage Model #: VCS03-050-LB-01-MCX | |
| DRAWN | DATE | APPROVED | DATE | DWG # | REV | SHEET | |
| OOG | 5-11-15 | MPW | 5-11-15 | 31-0723 | --- | 1 of 2 | |

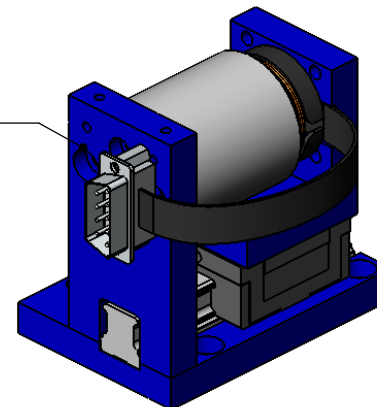
H2W Technologies, Inc.
26470 Ruether Ave #102 Santa Clarita, CA 91350 USA
Tel: (661) 251-2081 Fax: (661) 251-2067
www.h2wtech.com

| VOICE COIL POSITIONING STAGE SPECIFICATIONS | | |
|---|--------------------|-------------------|
| Motor P/N | NCC03-15-050-2X | |
| Stroke | 0.25" | 6.4 mm |
| Encoder Resolution | 1.0 micron | |
| Encoder Type | Magetic | |
| Bearing Type | Linear Bearing | |
| Moving Part | Coil Assembly | |
| Moving Mass | 0.50 lbs | 227 grams |
| Total Mass | 1.88 lbs | 854 grams |
| Resistance @ 20C | 3.8 ohms | |
| Inductance @ 20C | 1.3 mH | |
| Electrical Time Constant | 0.35 msec | |
| Motor Constant | 1.4 LBS/SQRT(Watt) | 2.98 N/SQRT(Watt) |
| Force Constant | 1.2 lbs/Amp | 6.1 N/Amp |
| Back EMF | 0.30 V/ips | 11.9 V/m/sec |
| Force @ 100% Duty | 5.0 lbs | 22.3 N |
| Power @ 100% Duty | 13.0 watts | |
| Current @ 100% Duty | 1.9 Amps | |
| Force @ 10% Duty | 15.0 lbs | 66.8 N |
| Power @ 10% Duty | 118 watts | |
| Current @ 10% Duty | 5.6 Amps | |

Voice Coil Motor
(Moving Coil Assembly)



9-Pin Motor
Power Connector



| | | |
|------------------------------|-----|--------|
| TITLE | | |
| Voice Coil Positioning Stage | | |
| Model #: VCS03-050-LB-01-MCX | | |
| DWG # | REV | SHEET |
| 31-0723 | --- | 2 of 2 |