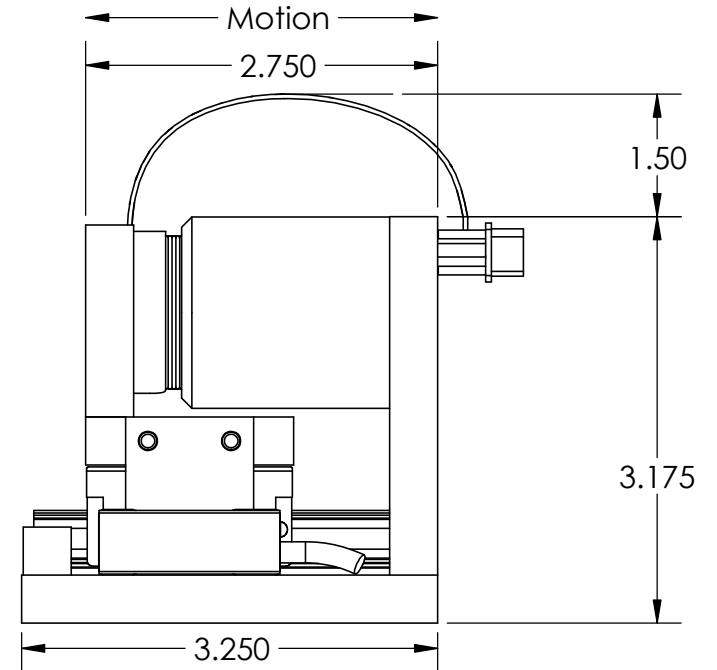
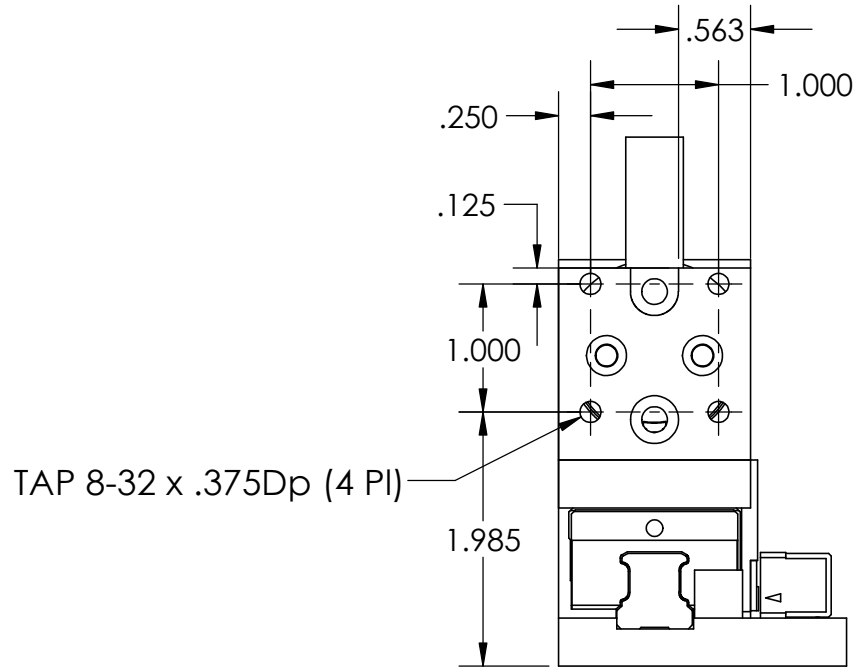
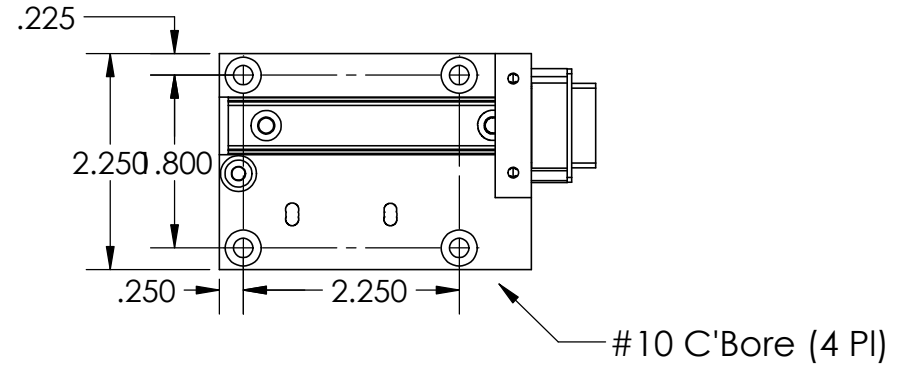


These drawings and specifications are the property of H2W Technologies, Inc. They are issued in confidence and shall not be reproduced, copied, or used without written permission from H2W Technologies, Inc. (www.h2wtech.com)

REVISION TABLE					
REV	ECN#	DESCRIPTION	REV BY	APPROVED	DATE
---	---	Original Drawing	OOG	MPW	5-20-13

PARTS HAVE BEEN HIDDEN TO SHOW MOUNTING HOLES



MOTOR SHOWN AT MID-STROKE

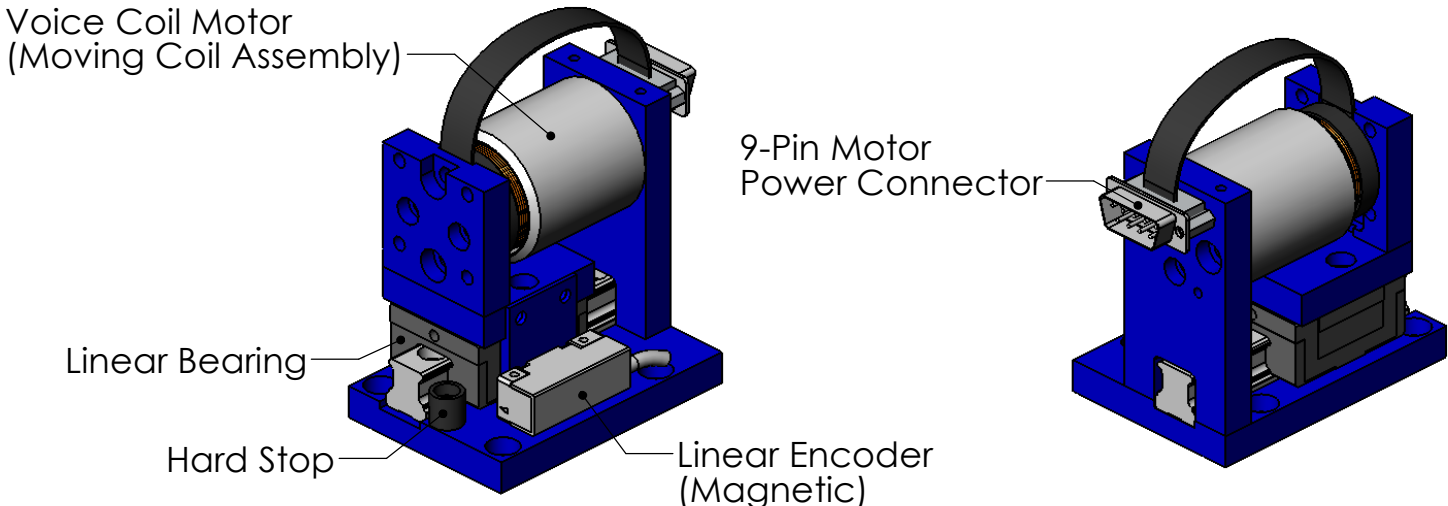
UNLESS SPECIFIED OTHERWISE:
All dimensions are in inches
Standard Tolerances are as follows
.XXX ±.005 ANGLES ±1°
.XX ±.010 FILLETS .010
X ±.020 CORNERS .010
Remove All Burrs and Sharp Edges

MATERIAL			
FINISH			
DRAWN	DATE	APPROVED	DATE
OOG	5-20-13	MPW	5-20-13

TITLE		
Voice Coil Positioning Stage Model #: VCS03-050-LB-01-MC		
DWG #	REV	SHEET
31-0632	---	1 of 2

H2W Technologies, Inc.
26470 Ruether Ave #102 Santa Clarita, CA 91350 USA
Tel: (661) 251-2081 Fax: (661) 251-2067
www.h2wtech.com

VOICE COIL POSITIONING STAGE SPECIFICATIONS		
Motor P/N	NCC03-15-050-2X	
Stroke	0.25"	6.4 mm
Encoder Resolution	1.0 micron	
Encoder Type	Magnetic	
Bearing Type	Linear Bearing	
Moving Part	Coil Assembly	
Moving Mass	0.50 lbs	227 grams
Total Mass	1.88 lbs	854 grams
Resistance @ 20C	3.8 ohms	
Inductance @ 20C	1.3 mH	
Electrical Time Constant	0.35 msec	
Motor Constant	1.4 LBS/SQRT(Watt)	2.98 N/SQRT(Watt)
Force Constant	1.2 lbs/Amp	6.1 N/Amp
Back EMF	0.30 V/ips	11.9 V/m/sec
Force @ 100% Duty	5.0 lbs	22.3 N
Power @ 100% Duty	13.0 watts	
Current @ 100% Duty	1.9 Amps	
Force @ 10% Duty	15.0 lbs	66.8 N
Power @ 10% Duty	118 watts	
Current @ 10% Duty	5.6 Amps	



TITLE		
Voice Coil Positioning Stage		
Model #: VCS03-050-LB-01-MC		
DWG #	REV	SHEET
31-0632	---	2 of 2