

ACTUATOR SHOWN FULLY RETRACTED

REVISION TABLE					
REV	ECN#	DESCRIPTION	REV BY	APPROVED	DATE
B	---	----	JRM	MPW	4-22-03

MOTION ←

Coil Assembly

Magnet Assembly

[11.1]
∅.438

Motion
(out of magnetic field assembly)
when connected as shown in the
view on the right

4-40 UNC TAP ∇.125 [3.2]

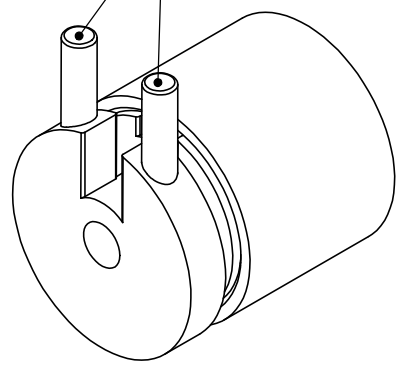
4-40 UNC TAP ∇.125 [3.2]

[11.1]
∅.438

[9.0]
.355

[12.7]
.500

1/16" OD Brass Dowel Pins
(connect power leads to pins)



A

A

B

B

C

C

D

D

1

2

3

4

5

MOVING COIL NON-COMM ACTUATOR SPECIFICATIONS

Motor P/N	NCC01-04-001-1X	
Stroke	0.125"	3.2 mm
Radial Clearance	0.010" per side	0.25 mm per side
Bearing Type	None Provided	
Moving Mass	0.04 oz	1.2 grams
Total Mass	0.20 oz	5.7 grams
Resistance @ 20C	1.5 ohms	
Inductance @ 20C	63 μ H	
Electrical Time Constant	42 μ sec	
Motor Constant	0.08 LBS/SQRT(Watt)	0.36 N/SQRT(Watt)
Force Constant	0.10 LBS/Amp	0.45 N/Amp
Back EMF	0.01 V/ips	0.45 V/m/sec
Continuous Force	0.06 LBS	0.27 N
Max Power @ 100% Duty	0.6 Watts	
Peak Force	0.18 LBS	0.80 N
Max Power @ 10% Duty	5.1 Watts	

A

A

B

B

C

C

D

D



H2W Technologies, Inc.
 Santa Clarita, CA 91350 USA
 Tel: (661) 291-1620
www.h2wtech.com

These drawings and specifications are the property of H2W Technologies, Inc. They are issued in confidence and shall not be reproduced, copied, or used without written permission from H2W Technologies, Inc.

UNLESS SPECIFIED OTHERWISE:
 All dimensions are in inches
 Standard Tolerances are as follows
 .XXX \pm .005 ANGLES \pm .1°
 .XX \pm .010 FILLETS .010
 .X \pm .020 CORNERS .010
 Remove All Burrs and Sharp Edges

**FOR
 REFERENCE
 ONLY**

MATERIAL

FINISH

TITLE

Voice Coil Actuator
 Model #: NCC01-04-001-1X

DWG # **30-0205**REV **B**

DATE 4-22-03 SHEET

2 of 2