

1

2

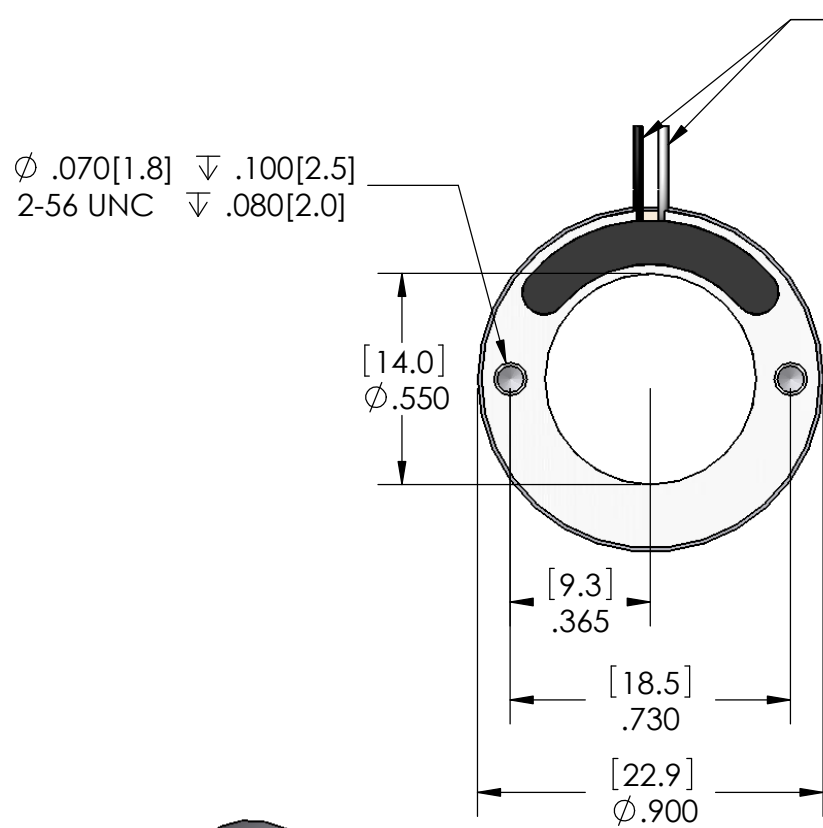
3

4

5

REVISION TABLE

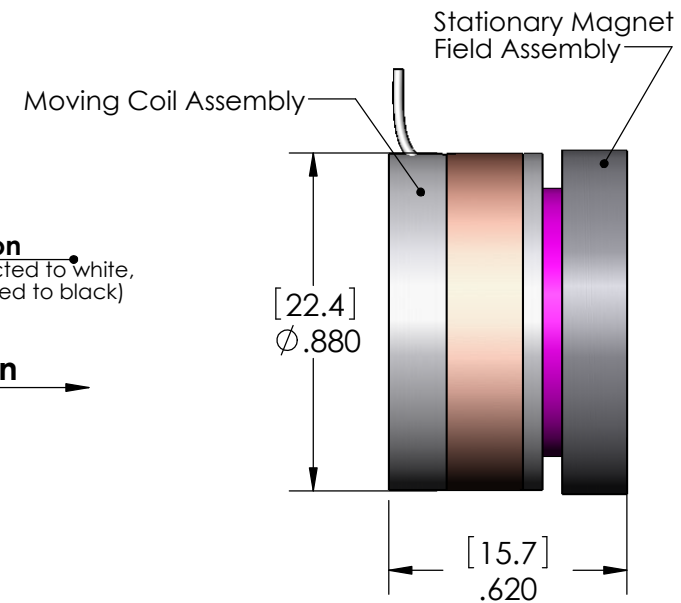
REV	ECN#	DESCRIPTION	REV BY	APPROVED	DATE
---	---	Original Drawing	JRM	MPW	3-21-07
A	---	----	JRM	MPW	3-21-07



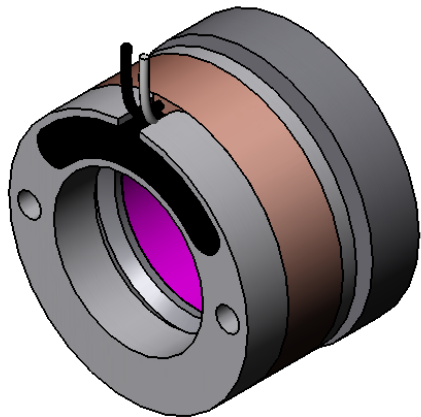
Power Leads

Motion
(when + is connected to white,
and - is connected to black)

Motion



**View shows motor
extended at 1mm.**



H2W Technologies, Inc.
Santa Clarita, CA 91350 USA
Tel: (661) 291-1620
www.h2wtech.com

These drawings and specifications are the property of H2W Technologies, Inc. They are issued in confidence and shall not be reproduced, copied, or used without written permission from H2W Technologies, Inc.

UNLESS SPECIFIED OTHERWISE:
All dimensions are in inches
Standard Tolerances are as follows
.XXX $\pm .005$ ANGLES $\pm 1^\circ$
.XX $\pm .010$ FILLETS $.010$
.X $\pm .020$ CORNERS $.010$
Remove All Burrs and Sharp Edges

**FOR
REFERENCE
ONLY**

MATERIAL

FINISH

TITLE

Voice Coil Actuator
Model #: NCC01-09-001-1NH

DWG # **30-0568**REV **A**DATE **3-21-07** SHEET **1 of 2**

1

2

3

4

5

MOVING COIL NON-COMM ACTUATOR SPECIFICATIONS

Motor P/N	NCC01-09-001-1NH	
Stroke	0.125"	3.2 mm
Radial Clearance	0.013" per side	0.335 mm per side
Bearing Type	None Provided	
Moving Mass	0.35 oz	10 grams
Total Mass	0.81 oz	23 grams
Resistance @ 20C	3.9 ohms	
Inductance @ 20C	2.3 mH	
Electrical Time Constant	0.59 msec	
Motor Constant	0.12 LBS/SQRT(Watt)	0.53 N/SQRT(Watt)
Force Constant	0.24 LBS/Amp	1.07 N/Amp
Back EMF	0.03 V/ips	1.07 V/m/sec
Continuous Force	0.11 LBS	0.49 N
Max Power @ 100% Duty	1 Watt	
Peak Force	0.34 LBS	1.51 N
Max Power @ 10% Duty	9 Watts	



H2W Technologies, Inc.
 Santa Clarita, CA 91350 USA
 Tel: (661) 291-1620
www.h2wtech.com

These drawings and specifications are the property of H2W Technologies, Inc. They are issued in confidence and shall not be reproduced, copied, or used without written permission from H2W Technologies, Inc.

UNLESS SPECIFIED OTHERWISE:
 All dimensions are in inches
 Standard Tolerances are as follows
 .XXX ±.005 ANGLES ±.1°
 .XX ±.010 FILLETS .010
 .X ±.020 CORNERS .010
 Remove All Burrs and Sharp Edges

**FOR
 REFERENCE
 ONLY**

MATERIAL

FINISH

TITLE

Voice Coil Actuator
 Model #: NCC01-09-001-1NH

DWG # **30-0568**

REV **A**

DATE 3-21-07 SHEET 2 of 2