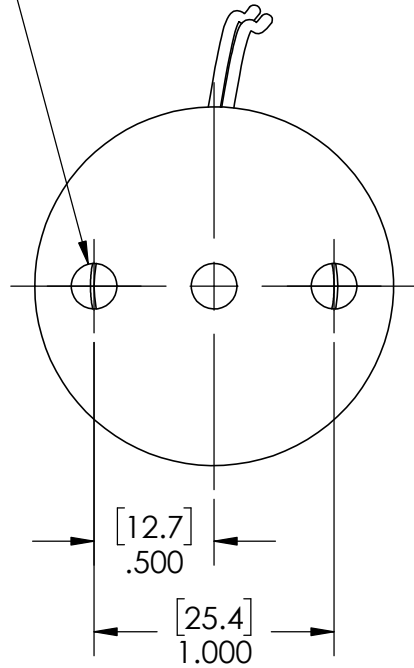


ACTUATOR SHOWN FULLY RETRACTED

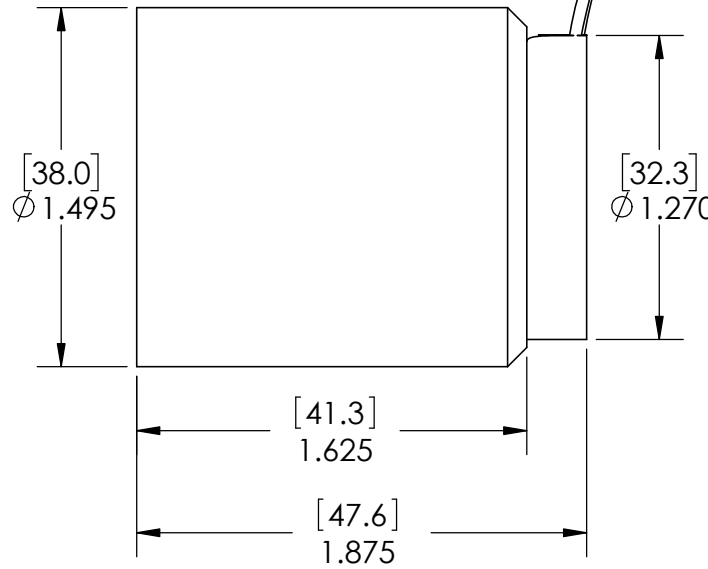
REVISION TABLE					
REV	ECN#	DESCRIPTION	REV BY	APPROVED	DATE
---	---	Original Drawing	JRM	MPW	3-22-05
A	---	Added specifications table (Sheet 1)	JRM	MPW	3-25-05
B	---	Added separate specifications sheet (Sheet 2)	JRM	MPW	4-6-05
C	---	----	JRM	MPW	9-23-08

3X TAP 10-32 UNF ∇ .25 [6.4]

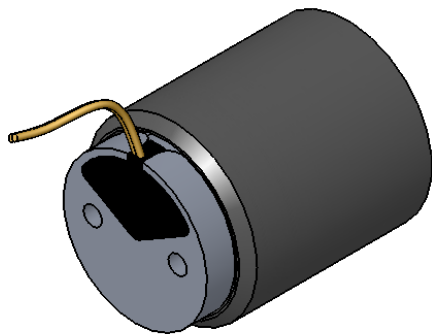
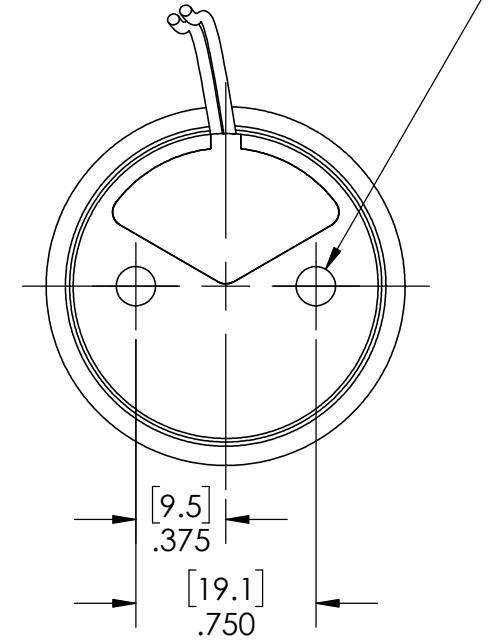


2X POWER LEADS

MOTION



2X TAP 8-32 UNC ∇ .25 [6.4]



H2W Technologies, Inc.
 Santa Clarita, CA 91350 USA
 Tel: (661) 291-1620
www.h2wtech.com

These drawings and specifications are the property of H2W Technologies, Inc. They are issued in confidence and shall not be reproduced, copied, or used without written permission from H2W Technologies, Inc.

UNLESS SPECIFIED OTHERWISE:
 All dimensions are in inches
 Standard Tolerances are as follows
 .XXX \pm .005 ANGLES \pm 1°
 .XX \pm .010 FILLETS .010
 .X \pm .020 CORNERS .010
 Remove All Burrs and Sharp Edges

**FOR
 REFERENCE
 ONLY**

MATERIAL
FINISH

TITLE	Voice Coil Actuator Model #: NCC03-15-050-2X
-------	--------------------------------------------------------

DWG #	30-0398
REV	C
DATE	9-23-08
SHEET	1 of 2

1

2

3

4

5

A

A

MOVING COIL NON-COMM ACTUATOR SPECIFICATIONS

Motor P/N	NCC03-15-050-2X	
Stroke	0.25"	6.4 mm
Radial Clearance	0.015" per side	0.38 mm per side
Bearing Type	None Provided	
Moving Mass	0.13 lbs	60 grams
Total Mass	0.70 lbs	320 grams
Resistance @ 20C	3.75 ohms	
Inductance @ 20C	1.30 mH	
Electrical Time Constant	0.35 msec	
Motor Constant	1.38 LBS/SQRT(Watt)	6.14 N/SQRT(Watt)
Force Constant	2.7 LBS/Amp	11.9 N/Amp
Back EMF	0.3 V/ips	11.9 V/m/sec
Continuous Force	5.0 LBS	22.3 N
Max Power @ 100% Duty	13 Watts	
Peak Force	15.0 LBS	66.8 N
Max Power @ 10% Duty	118 Watts	

B

B

C

C

D

D



H2W Technologies, Inc.
 Santa Clarita, CA 91350 USA
 Tel: (661) 291-1620
www.h2wtech.com

These drawings and specifications are the property of H2W Technologies, Inc. They are issued in confidence and shall not be reproduced, copied, or used without written permission from H2W Technologies, Inc.

UNLESS SPECIFIED OTHERWISE:
 All dimensions are in inches
 Standard Tolerances are as follows
 .XXX ±.005 ANGLES ±.1°
 .XX ±.010 FILLETS .010
 .X ±.020 CORNERS .010
 Remove All Burrs and Sharp Edges

**FOR
 REFERENCE
 ONLY**

MATERIAL

FINISH

TITLE

Voice Coil Actuator
 Model #: NCC03-15-050-2X

DWG # **30-0398**REV **C**

DATE 9-23-08 SHEET 2 of 2