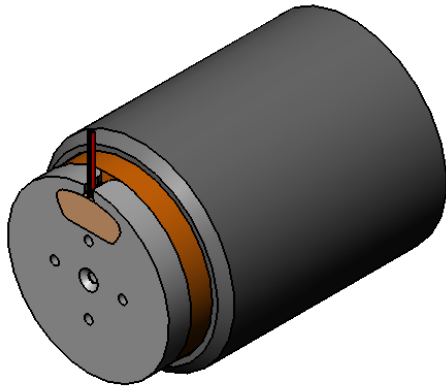
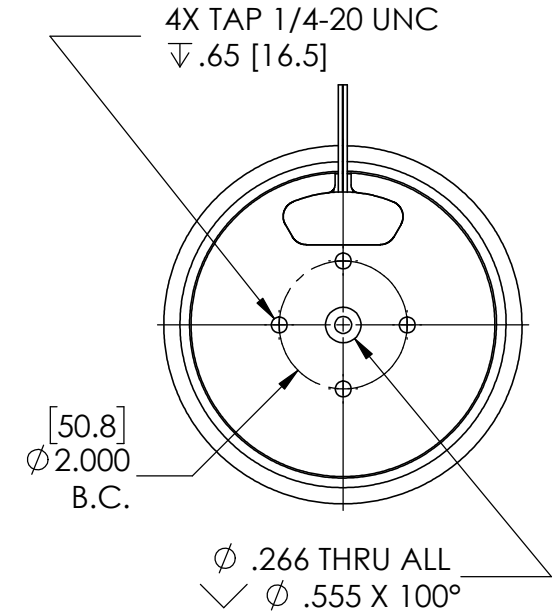
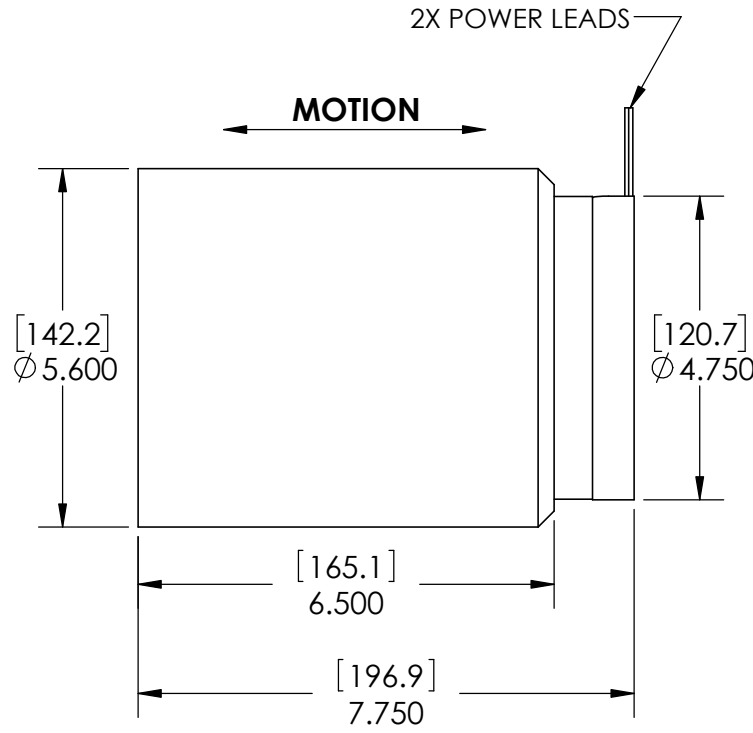
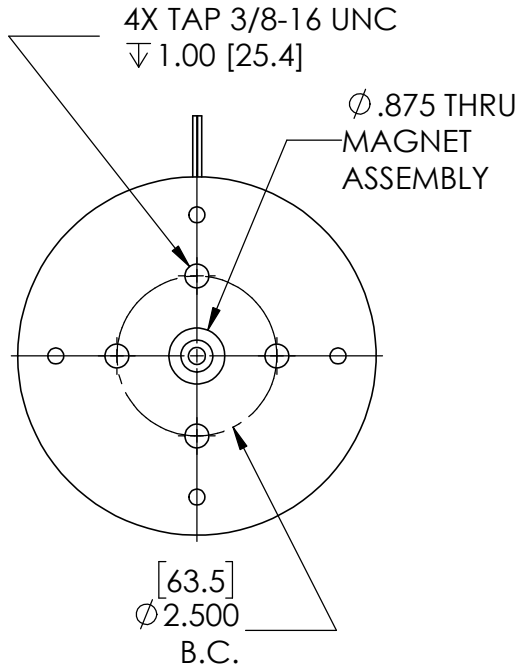


ACTUATOR SHOWN AT MIDSTROKE

REVISION TABLE					
REV	ECN#	DESCRIPTION	REV BY	APPROVED	DATE
B	---	---	JRM	MPW	4-26-06



H2W Technologies, Inc.
Santa Clarita, CA 91350 USA
Tel: (661) 291-1620
www.h2wtech.com

These drawings and specifications are the property of H2W Technologies, Inc. They are issued in confidence and shall not be reproduced, copied, or used without written permission from H2W Technologies, Inc.

UNLESS SPECIFIED OTHERWISE:
All dimensions are in inches
Standard Tolerances are as follows
.XXX ±.005 ANGLES ±.1°
.XX ±.010 FILLETS .010
.X ±.020 CORNERS .010
Remove All Burrs and Sharp Edges

**FOR
REFERENCE
ONLY**

MATERIAL

FINISH

TITLE

Voice Coil Actuator
Model #: NCC12-60-1000-2X

DWG # **30-0478**

REV **B**

DATE 4-26-06 SHEET 1 of 2

1

2

3

4

5

A

A

B

B

C

C

D

D

MOVING COIL NON-COMM ACTUATOR SPECIFICATIONS

Motor P/N	NCC12-60-1000-2X	
Stroke	1.20"	30.5 mm
Radial Clearance	0.025" per side	0.64 mm per side
Bearing Type	None Provided	
Moving Mass	5.3 lbs	2.4 kgrams
Total Mass	39.5 lbs	17.9 kgrams
Resistance @ 20C	3.0 ohms	
Inductance @ 20C	2.7 mH	
Electrical Time Constant	0.90 msec	
Motor Constant	11.8 LBS/SQRT(Watt)	52.5 N/SQRT(Watt)
Force Constant	20.1 LBS/Amp	89.4 N/Amp
Back EMF	2.3 V/ips	89.4 V/m/sec
Continuous Force	100 LBS	454 N
Max Power @ 100% Duty	72 Watts	
Peak Force	300 LBS	1362 N
Max Power @ 10% Duty	646 Watts	



H2W Technologies, Inc.
 Santa Clarita, CA 91350 USA
 Tel: (661) 291-1620
www.h2wtech.com

These drawings and specifications are the property of H2W Technologies, Inc. They are issued in confidence and shall not be reproduced, copied, or used without written permission from H2W Technologies, Inc.

UNLESS SPECIFIED OTHERWISE:
 All dimensions are in inches
 Standard Tolerances are as follows
 .XXX ±.005 ANGLES ±.1°
 .XX ±.010 FILLETS .010
 .X ±.020 CORNERS .010
 Remove All Burrs and Sharp Edges

**FOR
 REFERENCE
 ONLY**

MATERIAL

FINISH

TITLE

Voice Coil Actuator
 Model #: NCC12-60-1000-2X

DWG # **30-0478**REV **B**

DATE 4-26-06

SHEET 2 of 2