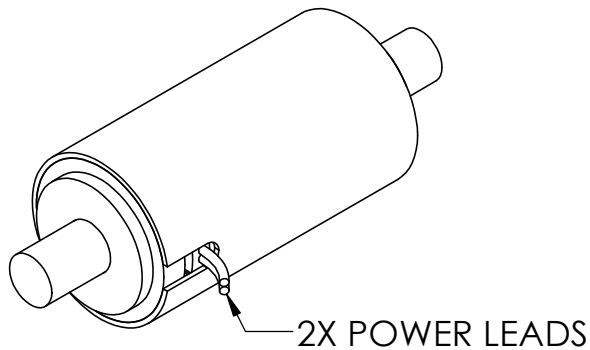
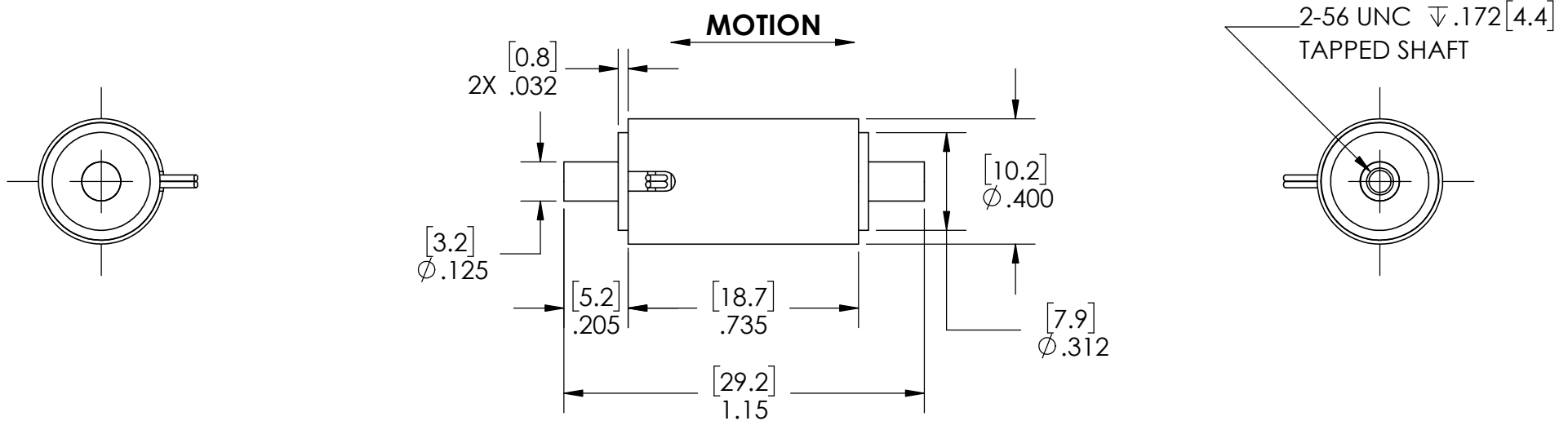


ACTUATOR SHOWN AT MIDSTROKE

REVISION TABLE					
REV	ECN#	DESCRIPTION	REV BY	APPROVED	DATE
---	---	Original Drawing	JRM	MPW	04-15-16
A	1869	Added direction of motion when connected to power.	SDC	MPW	1-5-17



1

2

3

4

5

A

A

B

B

C

C

D

D

NON-COMM ACTUATOR SPECIFICATIONS

Motor P/N	NCM01-04-001-2IB	
Device Type	Moving Magnet	
Stroke	0.10 in	2.5 mm
Radial Clearance	N/A	N/A
Bearing Type	Plastic Sliding Contact	
Moving Mass	0.04 oz	1.0 grams
Total Mass	0.20 oz	5.6 grams
Resistance @ 20C	2.8 ohms \pm 0.3 ohms	
Inductance @ 20C	0.10 mH \pm 0.02 mH	
Electrical Time Constant	0.04 msec	
Motor Constant	0.08 lbs/sqrt(watt)	0.34 N/sqrt(watt)
Force Constant	0.13 lbs/amp	0.56 N/amp
Back EMF	0.01 V/ips	0.56 V/m/sec
Force @ 100% Duty	0.10 lbs	0.45 N
Power @ 100% Duty	2 watts	
Current @ 100% Duty	0.8 amps	
Force @ 10% Duty	0.30 lbs	1.34 N
Power @ 10% Duty	16 watts	
Current @ 10% Duty	2.4 amps	



H2W Technologies, Inc.
 Santa Clarita, CA 91350 USA
 Tel: (661) 291-1620
www.h2wtech.com

These drawings and specifications are the property of H2W Technologies, Inc. They are issued in confidence and shall not be reproduced, copied, or used without written permission from H2W Technologies, Inc.

UNLESS SPECIFIED OTHERWISE:
 All dimensions are in inches
 Standard Tolerances are as follows
 .XXX \pm .005 ANGLES \pm .1°
 .XX \pm .010 FILLETS .010
 .X \pm .020 CORNERS .010
 Remove All Burrs and Sharp Edges

**FOR
 REFERENCE
 ONLY**

MATERIAL

FINISH

TITLE

Voice Coil Actuator
 Model #: NCM01-04-001-2IB

DWG # **30-1233**REV **A**

DATE 1-5-17

SHEET 2 of 2