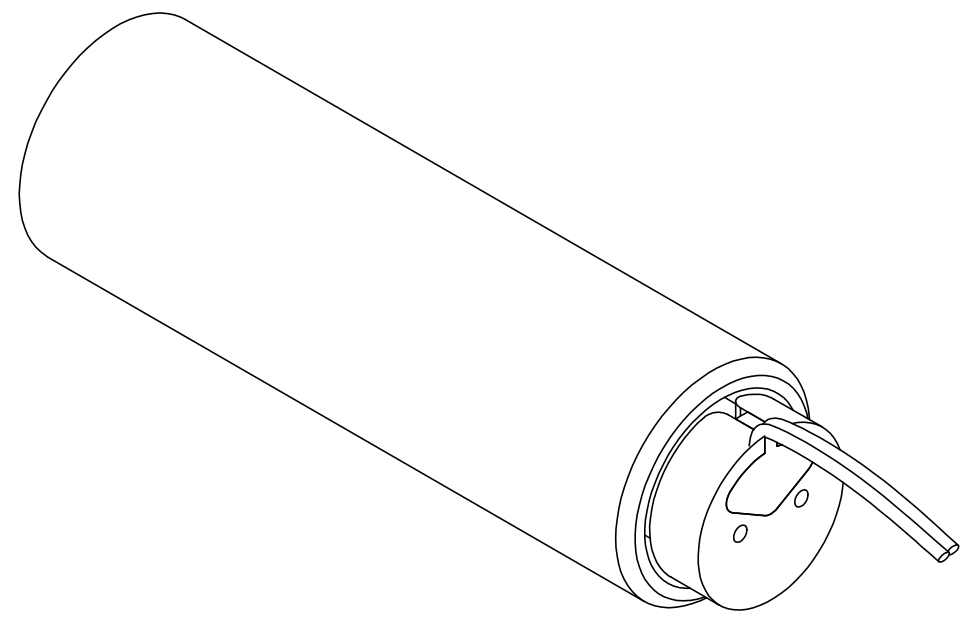
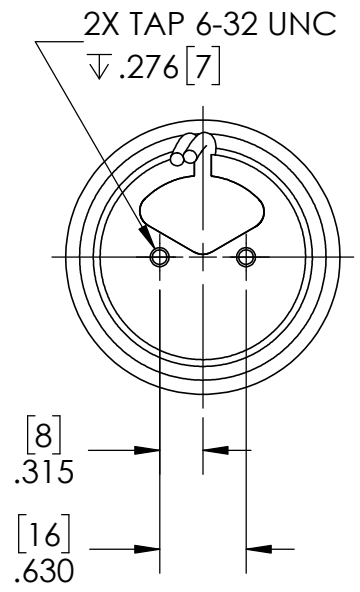
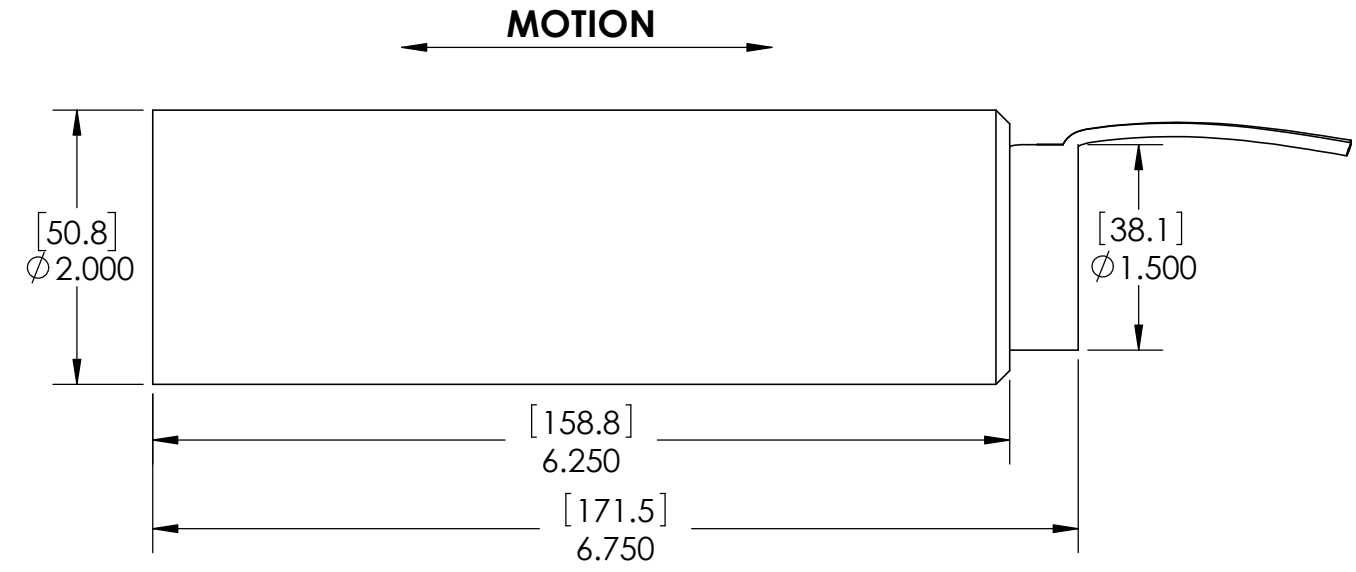
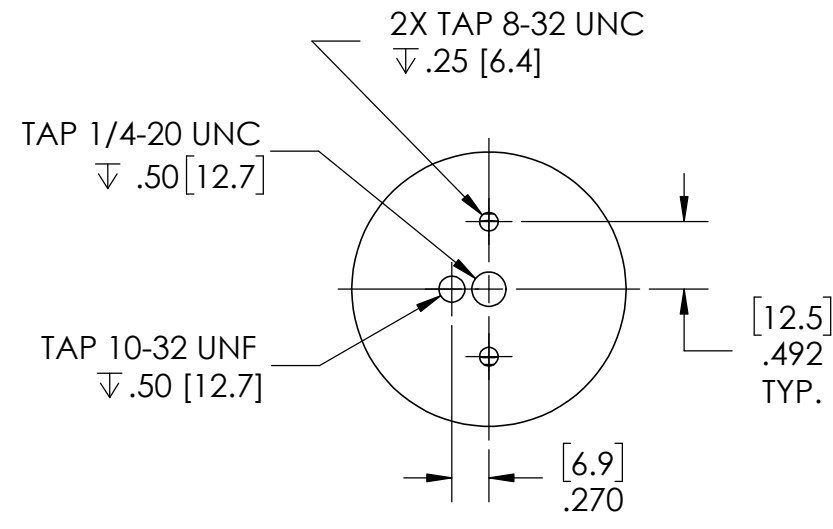


| REVISION TABLE | | | | | |
|----------------|------|------------------|--------|----------|----------|
| REV | ECN# | DESCRIPTION | REV BY | APPROVED | DATE |
| C | --- | Original Drawing | SDC | MPW | 10-24-16 |



MOVING COIL NON-COMM ACTUATOR SPECIFICATIONS

| | | |
|--------------------------|---------------------|-------------------|
| Motor P/N | NCC52-20-020-1X | |
| Stroke | 5.20" | 132.1 mm |
| Radial Clearance | 0.050" per side | 1.27 mm per side |
| Bearing Type | None Provided | |
| Moving Mass | 1.01 lbs | 460 grams |
| Total Mass | 4.30 lbs | 1950 grams |
| Resistance @ 20C | 7.1 ohms | |
| Inductance @ 20C | 17.3 mH | |
| Electrical Time Constant | 2.44 msec | |
| Motor Constant | 0.54 LBS/SQRT(Watt) | 2.40 N/SQRT(Watt) |
| Force Constant | 1.4 LBS/Amp | 6.2 N/Amp |
| Back EMF | 0.2 V/ips | 6.2 V/m/sec |
| Continuous Force | 2.0 LBS | 8.9 N |
| Max Power @ 100% Duty | 14 Watts | |
| Peak Force | 6.0 LBS | 26.7 N |
| Max Power @ 10% Duty | 124 Watts | |

