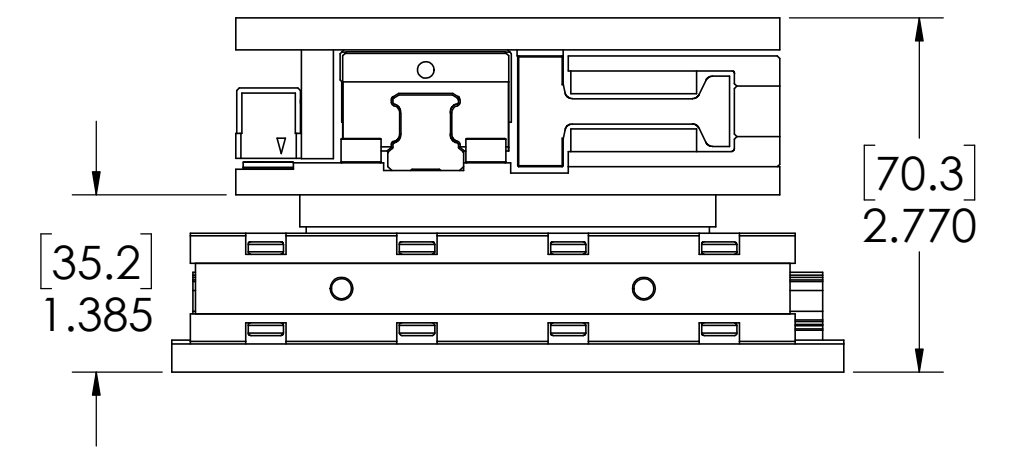
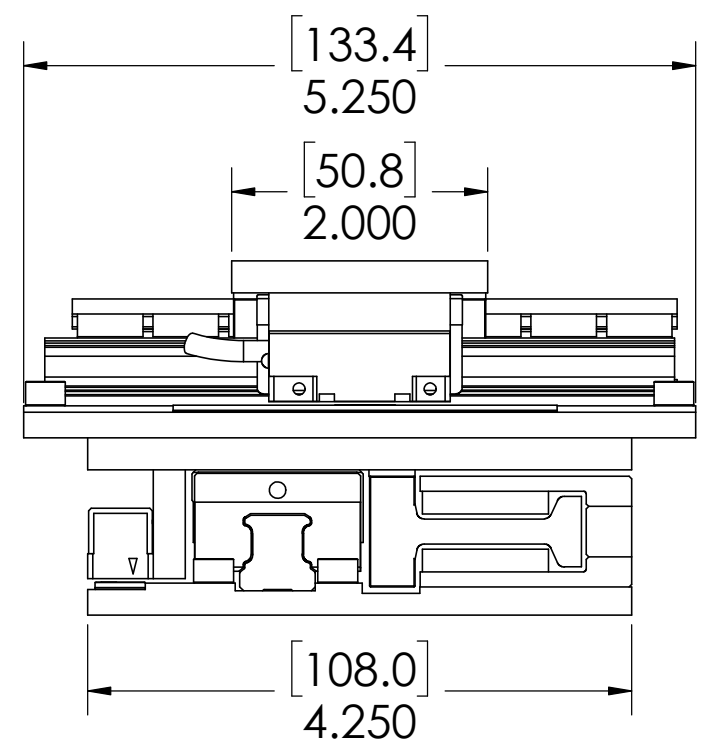
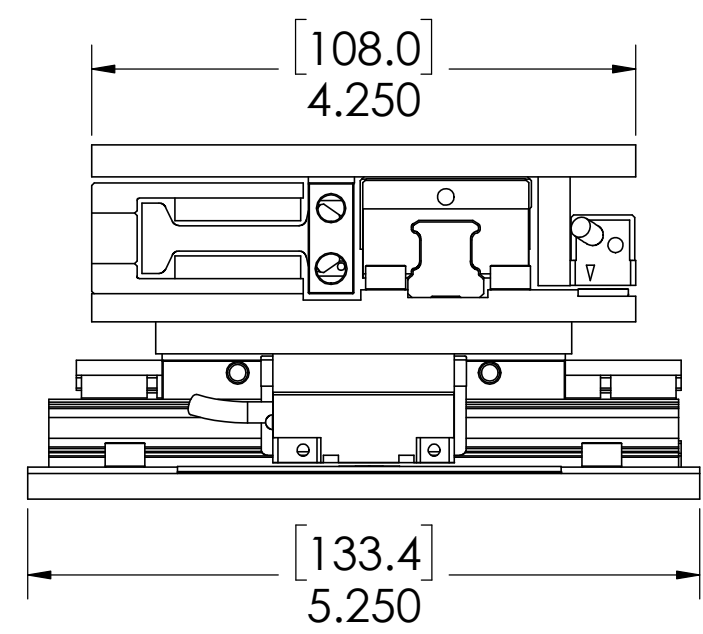
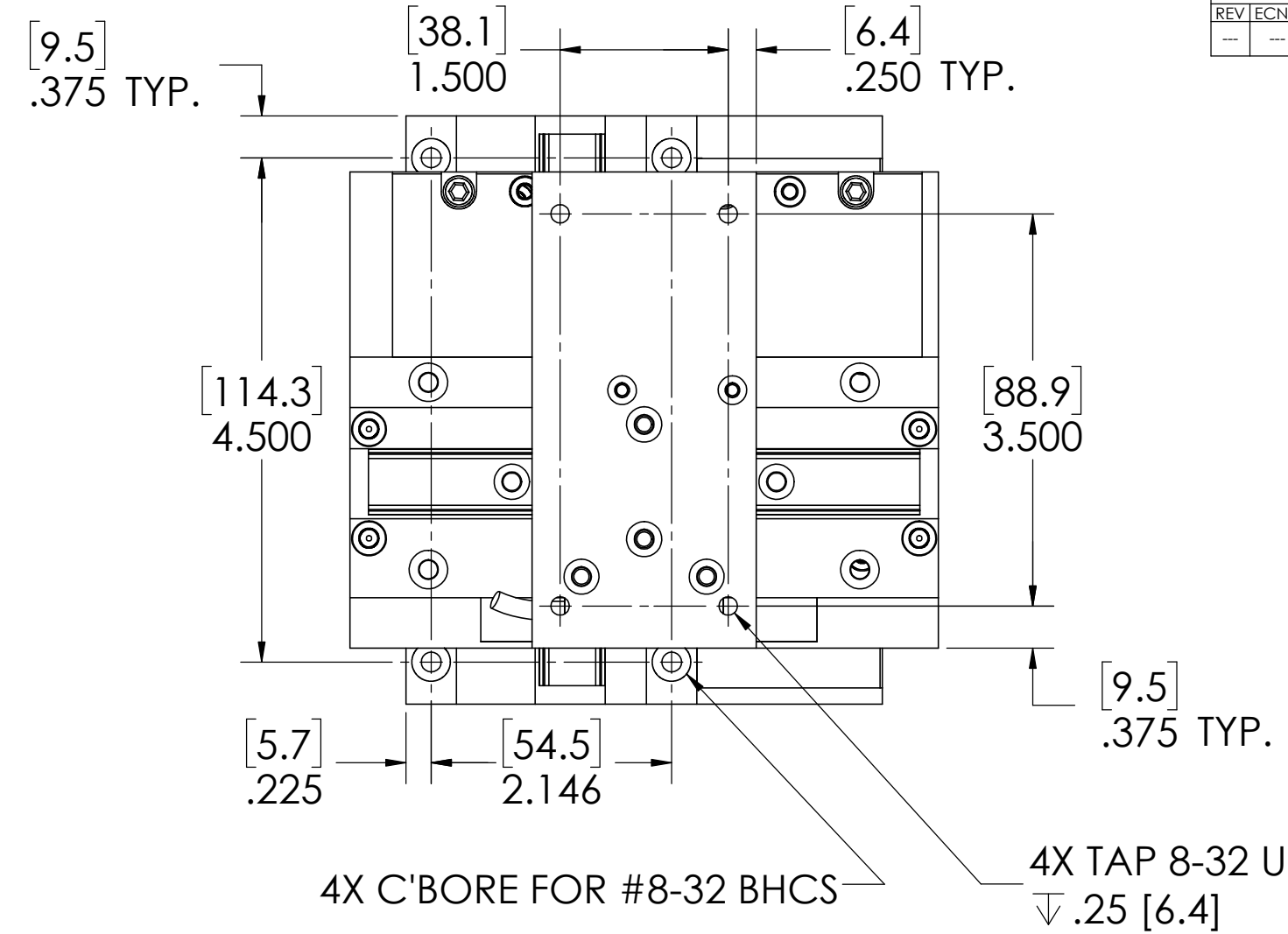


REVISION TABLE					
REV	ECN#	DESCRIPTION	REV BY	APPROVED	DATE
--	--	Original Drawing	OOG	MPW	1-15-14



1

2

3

4

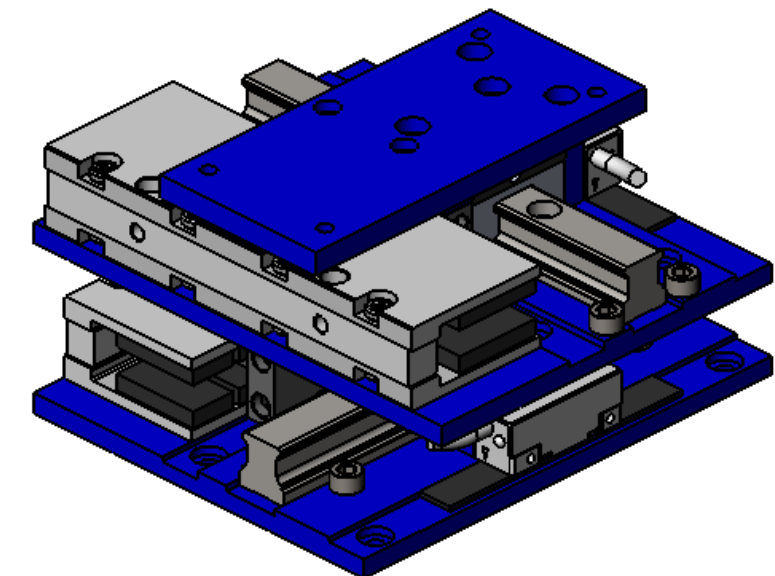
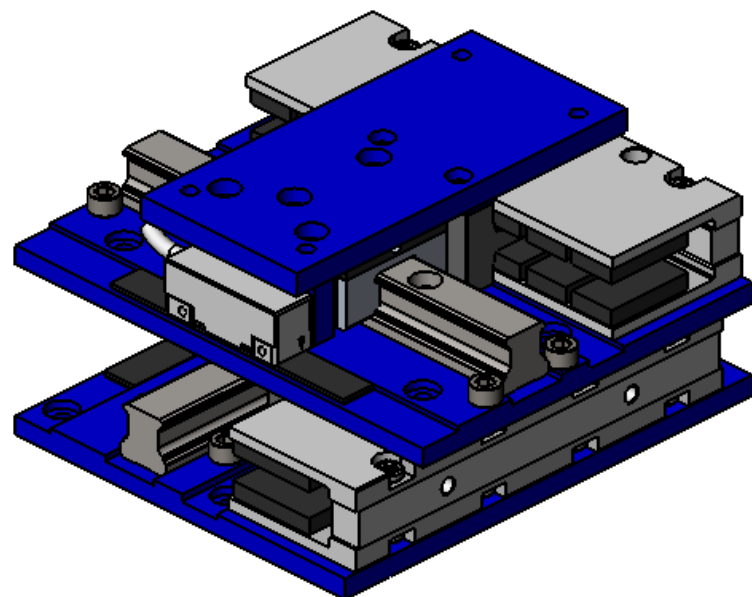
5

SINGLE RAIL POSITIONING STAGE SPECIFICATIONS (Top Axis)

Motor P/N	BLD-PA1	
Stroke	3.0"	76 mm
Encoder Resolution	1 micron	
Bearing Type	Linear Bearing	
Moving Mass	0.80 lbs	0.36 Kg
Total Mass	3.0 lbs	1.36 Kg
Resistance @ 25C	7.3 ohms	
Inductance @ 25C	1.25 mH	
Electrical Time Constant	0.7 msec	
Motor Constant	0.52 LBS/SQRT(Watt)	2.3 N/SQRT(Watt)
Force Constant	1.42 LBS/A Peak	6.3 N/A Peak
Back EMF	0.20 V/ips	7.3 V/m/sec
Force @ 100% Duty	2.70 LBS	11.9 N
Power @ 100% Duty	26.4 Watts	
Current @ 100% Duty	1.9 Amps	
Force @ 10% Duty	10.7 LBS	47.7 N
Power @ 10% Duty	421.6 Watts	
Current @ 10% Duty	7.6 Amps	

SINGLE RAIL POSITIONING STAGE SPECIFICATIONS (Bottom Axis)

Motor P/N	BLD-PA2	
Stroke	1.80"	45.5 mm
Encoder Resolution	1 micron	
Bearing Type	Linear Bearing	
Moving Mass	1.0 lbs	0.45 Kg
Total Mass	3.2 lbs	1.45 Kg
Resistance @ 25C	4.3 ohms	
Inductance @ 25C	0.83 mH	
Electrical Time Constant	0.19 msec	
Motor Constant	0.99 LBS/SQRT(Watt)	4.2 N/SQRT(Watt)
Force Constant	1.93 LBS/A Peak	8.6 N/A Peak
Back EMF	0.27 V/ips	10 V/m/sec
Force @ 100% Duty	7.0 LBS	31.0 N
Power @ 100% Duty	55.1 Watts	
Current @ 100% Duty	3.6 Amps	
Force @ 10% Duty	30.0 LBS	123.8 N
Power @ 10% Duty	881.3 Watts	
Current @ 10% Duty	14.4 Amps	



NOTE:
1. ELECTRICAL SPECS & MASSES ARE PER INDIVIDUAL AXIS.



H2W Technologies, Inc.
Santa Clarita, CA 91350 USA
Tel: (661) 291-1620
www.h2wtech.com

These drawings and specifications are the property of H2W Technologies, Inc. They are issued in confidence and shall not be reproduced, copied, or used without written permission from H2W Technologies, Inc.

UNLESS SPECIFIED OTHERWISE:
All dimensions are in inches
Standard Tolerances are as follows
.XXX ±.005 ANGLES ±.1°
.XX ±.010 FILLETS .010
.X ±.020 CORNERS .010
Remove All Burrs and Sharp Edges

**FOR
REFERENCE
ONLY**

MATERIAL

FINISH

TITLE

Single Rail Positioning Stage Model #:
SRS-002-007/003-003-01-XY

DWG #

40-0290

REV

DATE 1-15-14

SHEET 2 of 2