

1

2

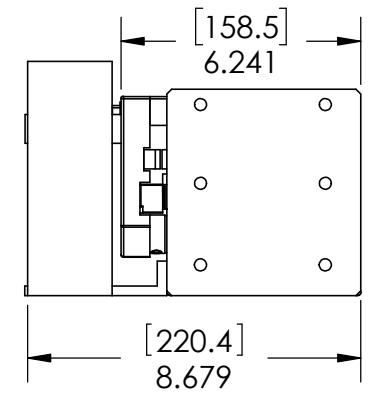
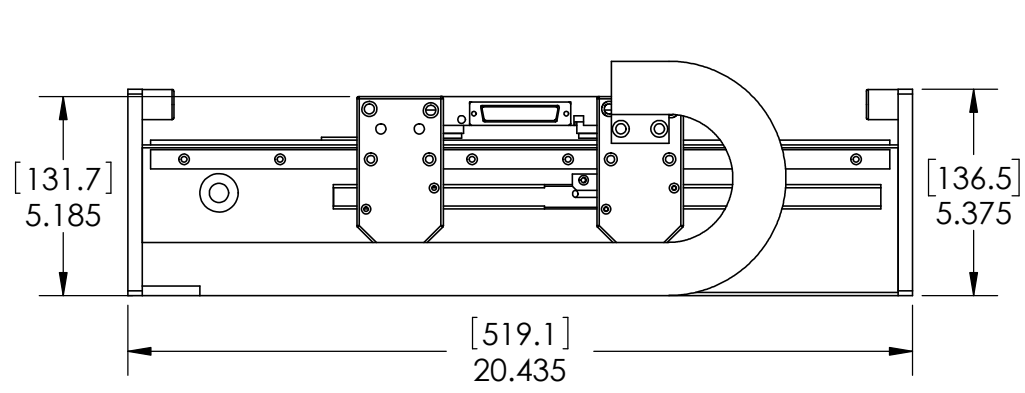
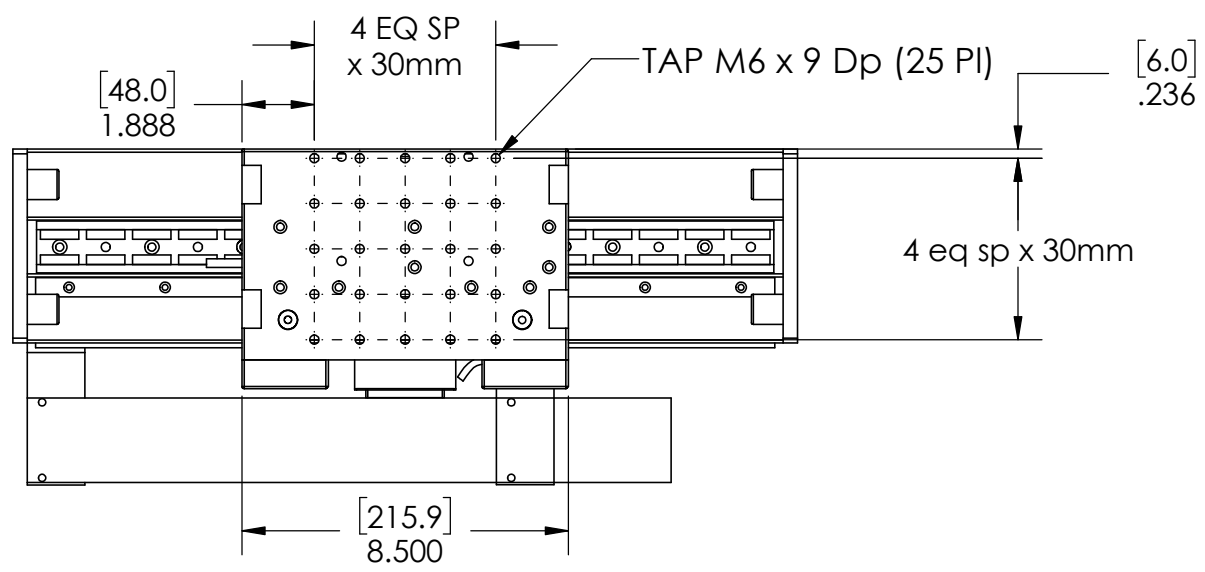
3

4

5

REVISION TABLE

REV	ECN#	DESCRIPTION	REV BY	APPROVED	DATE
---	---	Original Drawing	OOG	MPW	6-15-04



A
B
C
D

A
B
C
D

1

2

3

4

5

A

A

B

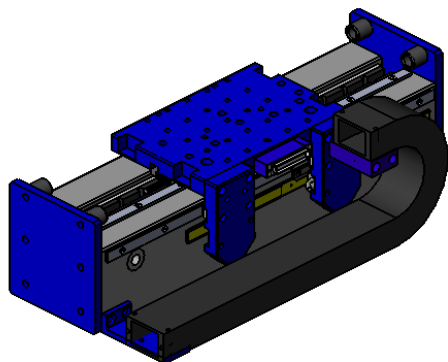
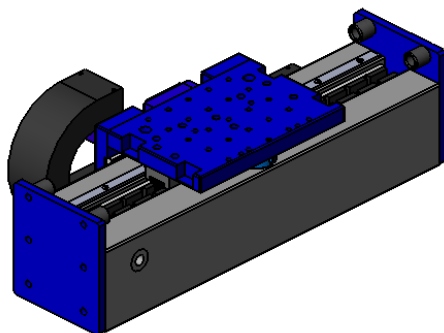
B

C

C

D

D



AIR BEARING POSITIONING STAGE SPECIFICATIONS

Motor P/N	BLDC-03	
Stroke	10.5 in	267 mm
Encoder Resolution	1 micron	
Bearing Type	Air Bearing	
Moving Mass	5.0 lbs	2.3 kg
Total Mass	50 lbs	23 kg
Resistance @ 20C	12.1 ohms	
Inductance @ 20C	9.0 mH	
Electrical Time Constant	0.7 msec	
Motor Constant	2.6 LBS/SQRT(Watt)	11.57 N/SQRT(Watt)
Force Constant	9.2 LBS/Amp	11.57 N/Amp
Back EMF	1.2 V/ips	40.9 V/m/sec
Force @ 100% Duty	30.1 lbs	133.9 N
Power @ 100% Duty	135 watts	
Current @ 100% Duty	3.3 amps	
Force @ 10% Duty	90.3 lbs	401.7 N
Power @ 10% Duty	1215 watts	
Current @ 10% Duty	9.9 amps	
Stage Length	20.4 in	518 mm
Stage Width	8.7 in	221 mm
Stage Height	5.2 in	132 mm



H2W Technologies, Inc.

Santa Clarita, CA 91350 USA
Tel: (661) 291-1620

www.h2wtech.com

These drawings and specifications are the property of H2W Technologies, Inc. They are issued in confidence and shall not be reproduced, copied, or used without written permission from H2W Technologies, Inc.

UNLESS SPECIFIED OTHERWISE:
All dimensions are in inches
Standard Tolerances are as follows
.XXX ±.005 ANGLES ±.1°
.XX ±.010 FILLETS .010
.X ±.020 CORNERS .010
Remove All Burrs and Sharp Edges

**FOR
REFERENCE
ONLY**

MATERIAL

FINISH

TITLE
Air Bearing Positioning Stage Model #:

ABS-011-09-030-X

DWG # **43-0058**

REV ----

DATE 6-15-04

SHEET 2 of 2