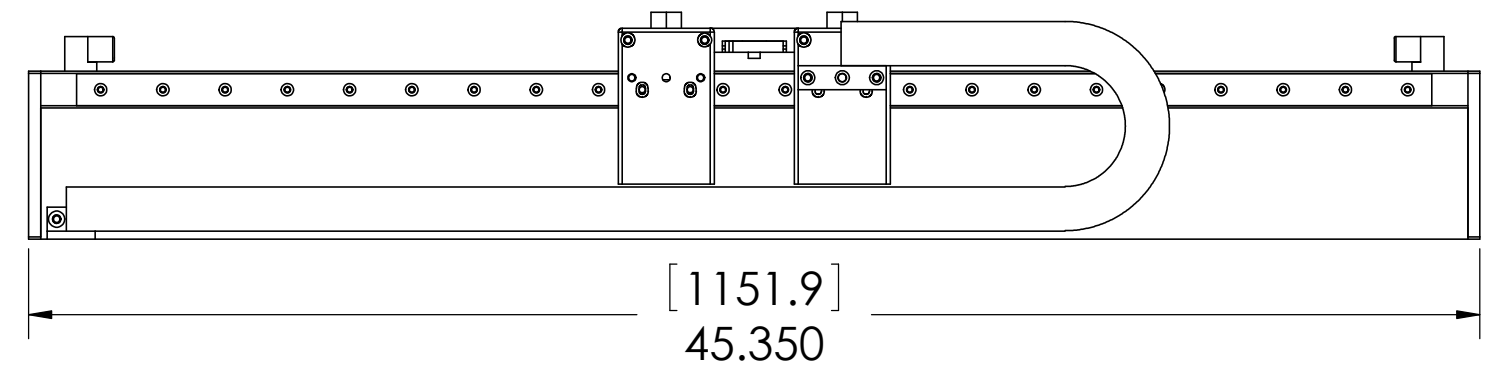
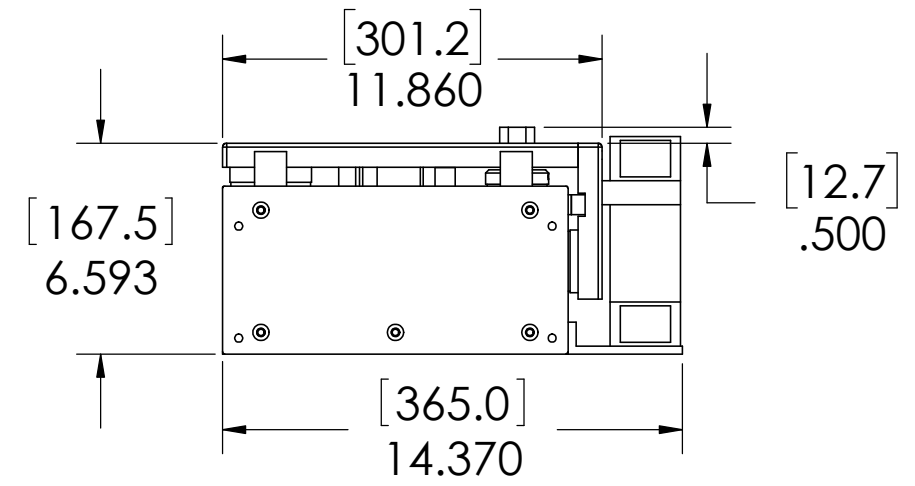
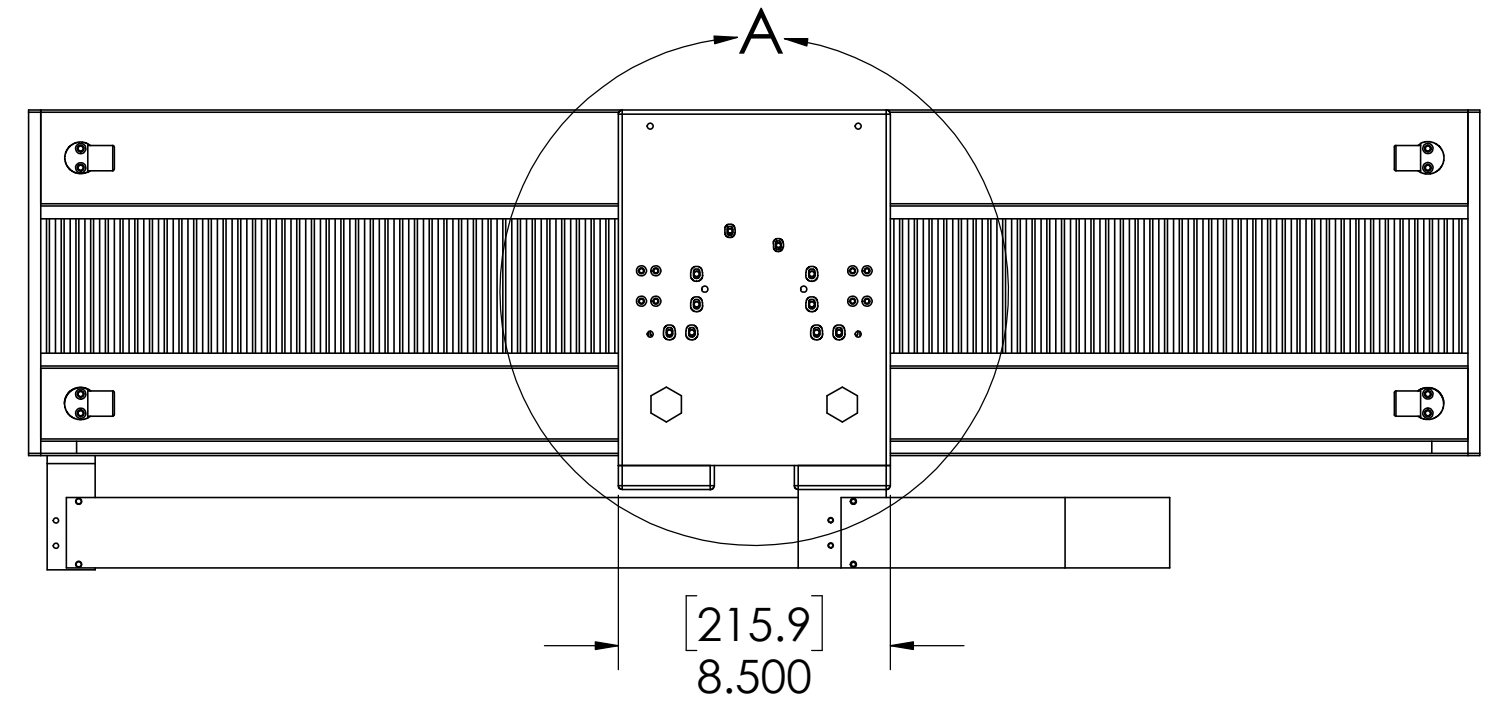
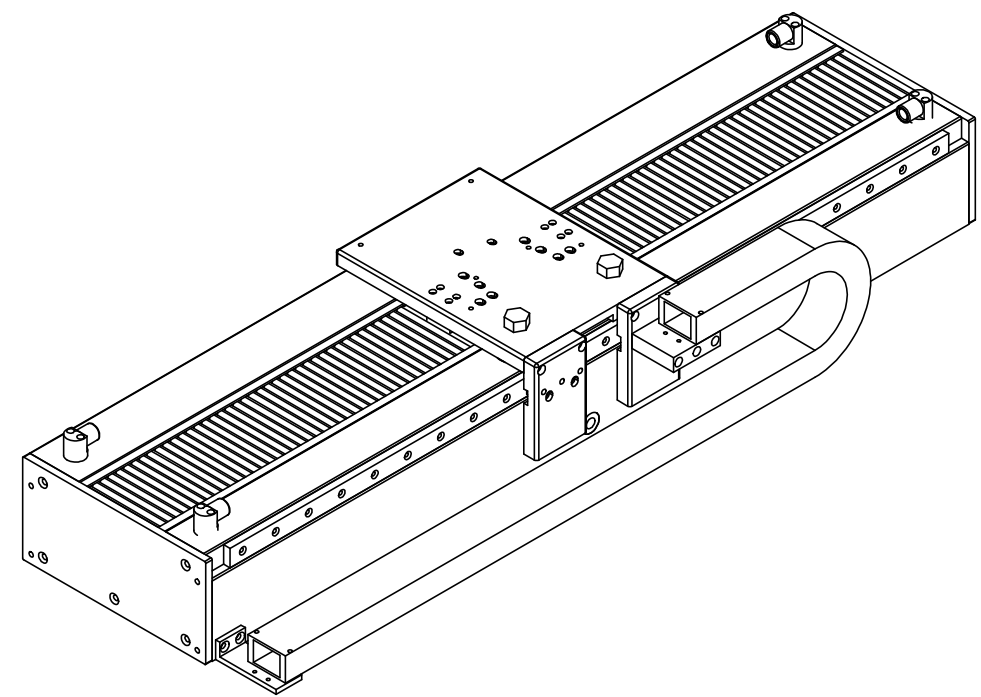


REVISION TABLE					
REV	ECN#	DESCRIPTION	REV BY	APPROVED	DATE
--	--	Original Drawing	OOG	MPW	5-16-05



1 2 3 4 5

A

B

C

D

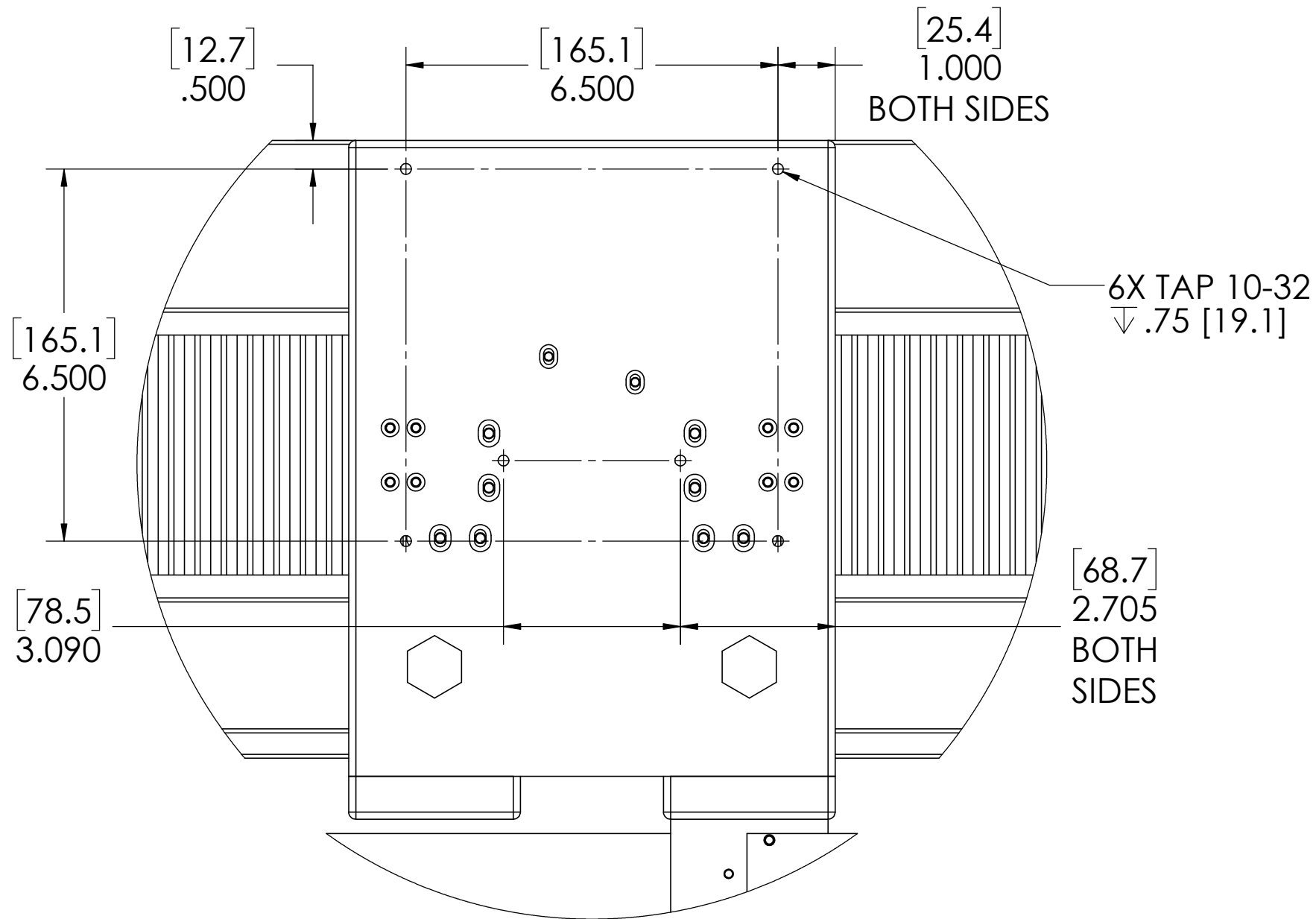
A

B

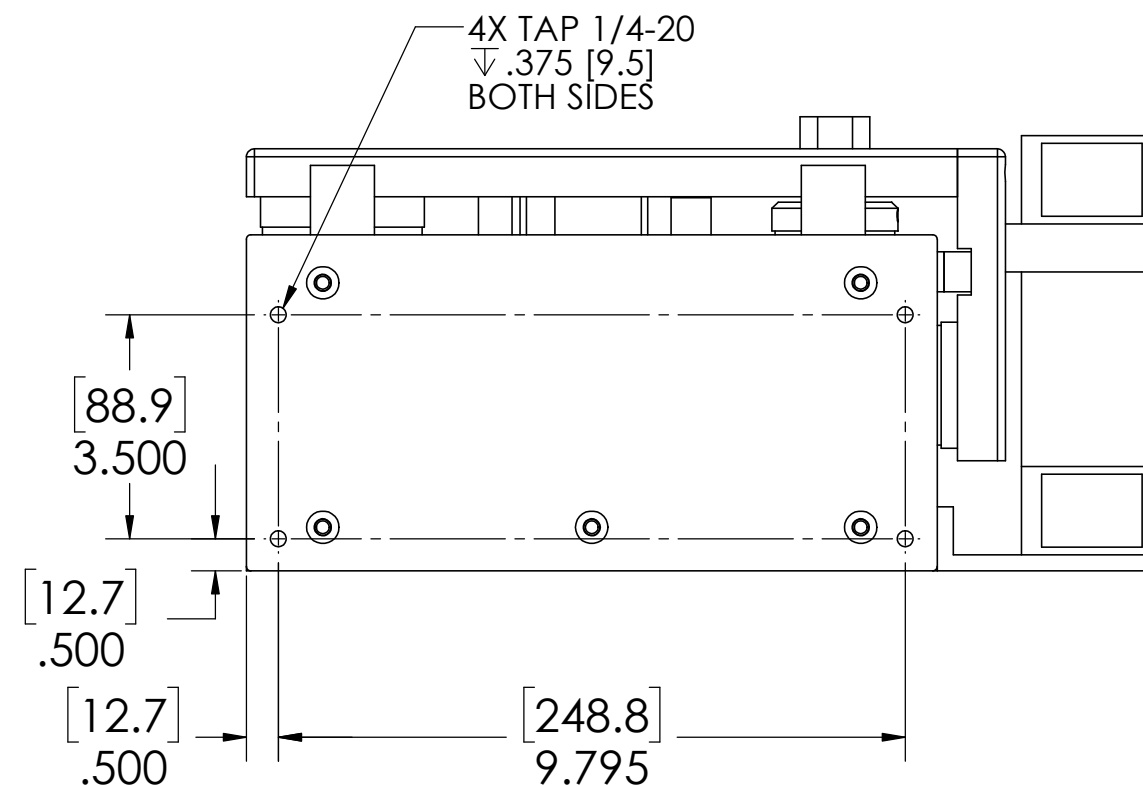
C

D

SLIDE MOUNTING HOLES



STAGE MOUNTING HOLES



DETAIL A
Scale 1:2.5



H2W Technologies, Inc.
Santa Clarita, CA 91350 USA
Tel: (661) 291-1620
www.h2wtech.com

These drawings and specifications are the property of H2W Technologies, Inc. They are issued in confidence and shall not be reproduced, copied, or used without written permission from H2W Technologies, Inc.

UNLESS SPECIFIED OTHERWISE:
All dimensions are in inches
Standard Tolerances are as follows
.XXX ±.005 ANGLES ±.1°
.XX ±.010 FILLETS .010
.X ±.020 CORNERS .010
Remove All Burrs and Sharp Edges

**FOR
REFERENCE
ONLY**

MATERIAL

FINISH

TITLE

Air Bearing Positioning Stage Model #:
ABS-032-14-020-X

DWG #

43-0131

REV

DATE

5-16-05

SHEET

2 of 3

1

2

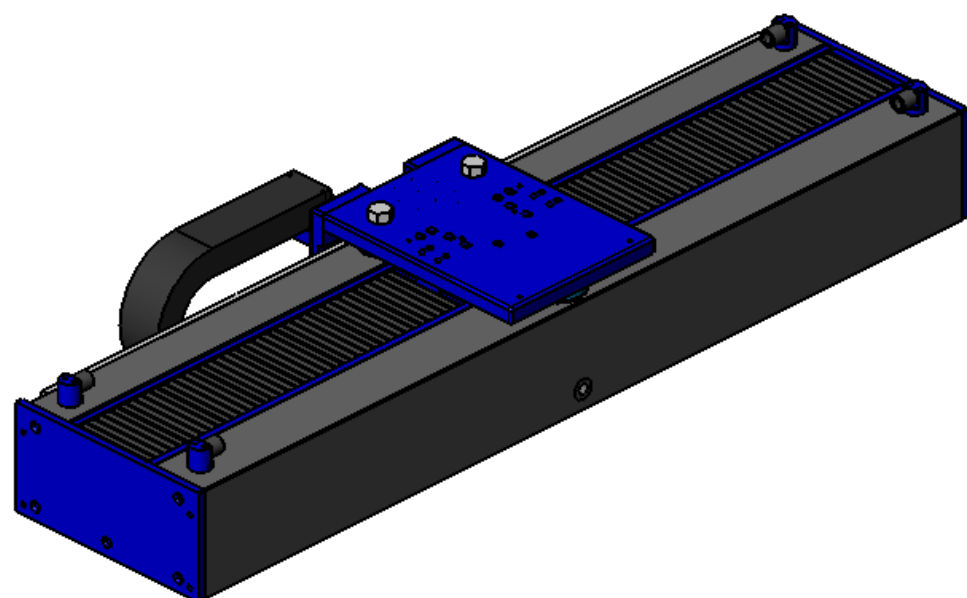
3

4

5

A

A

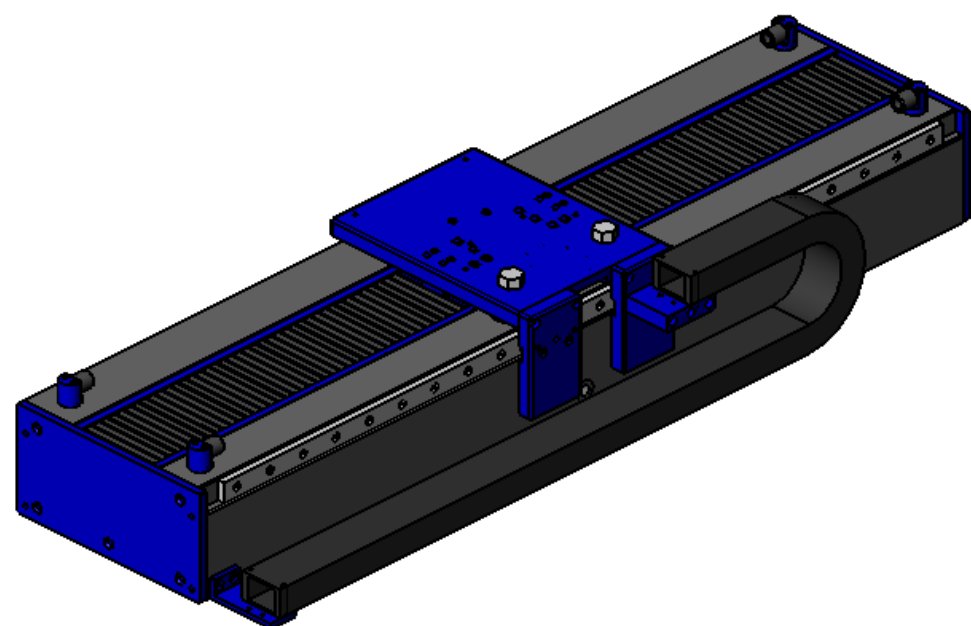


B

B

C

C



D

D

AIR BEARING POSITIONING STAGE SPECIFICATIONS

Motor P/N	BLDC-02	
Stroke	31.5 in	800 mm
Encoder Resolution	1 micron	
Bearing Type	Air Bearing	
Moving Mass	10 lbs	4.5 kg
Total Mass	260 lbs	118 kg
Resistance @ 20C	8.6 ohms	
Inductance @ 20C	6.0 mH	
Electrical Time Constant	0.7 msec	
Motor Constant	2.12 LBS/SQRT(Watt)	9.43 N/SQRT(Watt)
Force Constant	6.10 LBS/Amp	27.0 N/Amp
Back EMF	0.80 V/ips	31.5 V/m/sec
Force @ 100% Duty	20.6 lbs	91.5 N
Power @ 100% Duty	94 watts	
Current @ 100% Duty	3.4 amps	
Force @ 10% Duty	61.8 lbs	274 N
Power @ 10% Duty	846 watts	
Current @ 10% Duty	10.2 amps	
Stage Length	43.35 in	1101 mm
Stage Width	14.37 in	365 mm
Stage Height	6.59 in	167 mm



H2W Technologies, Inc.
Santa Clarita, CA 91350 USA
Tel: (661) 291-1620
www.h2wtech.com

These drawings and specifications are the property of H2W Technologies, Inc. They are issued in confidence and shall not be reproduced, copied, or used without written permission from H2W Technologies, Inc.

UNLESS SPECIFIED OTHERWISE:
All dimensions are in inches
Standard Tolerances are as follows
.XXX ±.005 ANGLES ±.1°
.XX ±.010 FILLETS .010
.X ±.020 CORNERS .010
Remove All Burrs and Sharp Edges

**FOR
REFERENCE
ONLY**

MATERIAL

FINISH

TITLE

Air Bearing Positioning Stage Model #:
ABS-032-14-020-X

DWG #

43-0131

REV

DATE

5-16-05

SHEET

3 of 3