

1

2

3

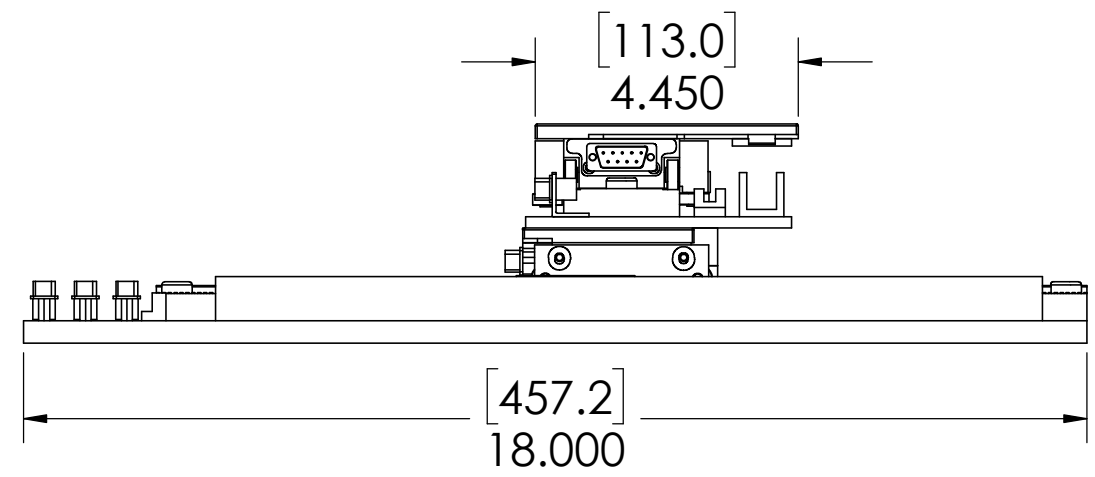
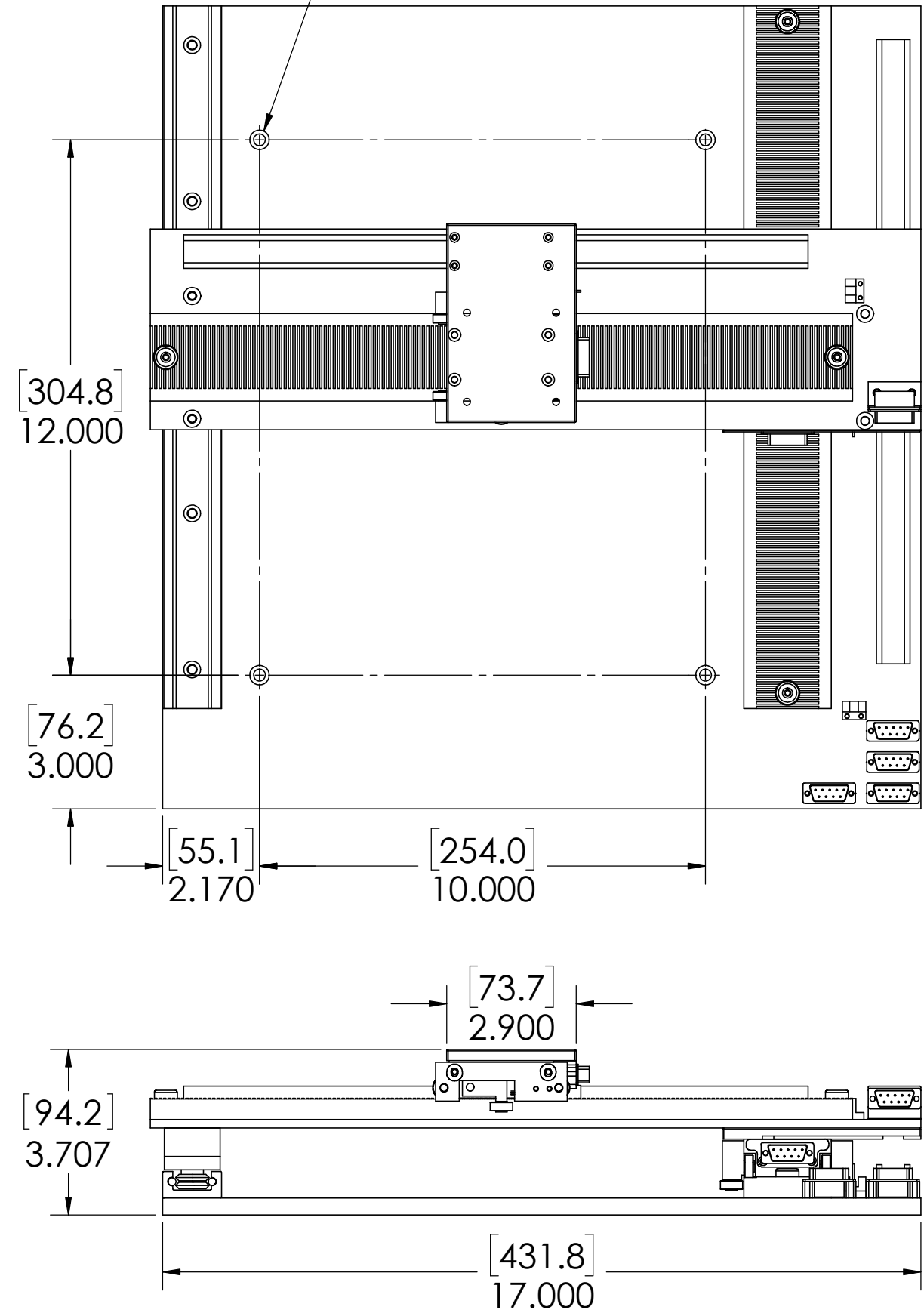
4

5

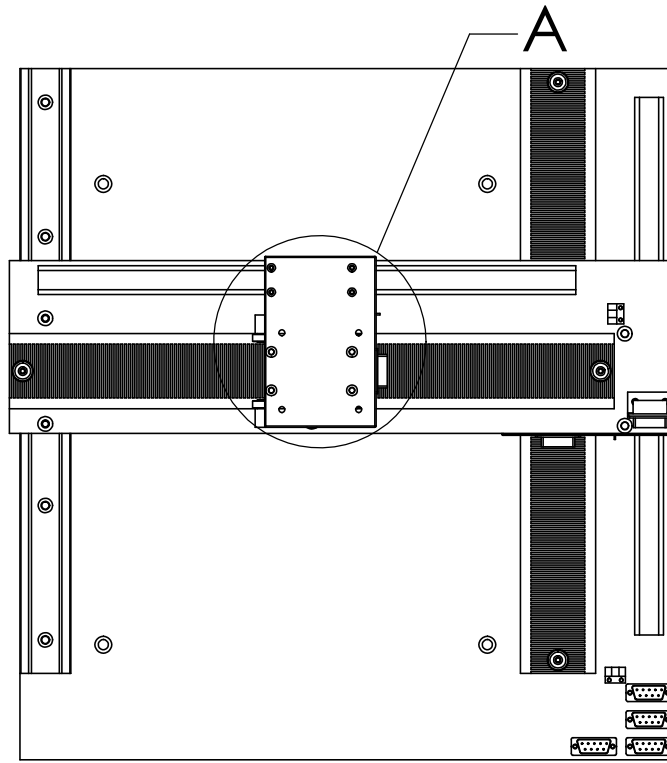
BOTH AXIS SHOWN AT MIDSTROKE

REVISION TABLE					
REV	ECN#	DESCRIPTION	REV BY	APPROVED	DATE
B	---	----	OOG	MPW	11-18-10

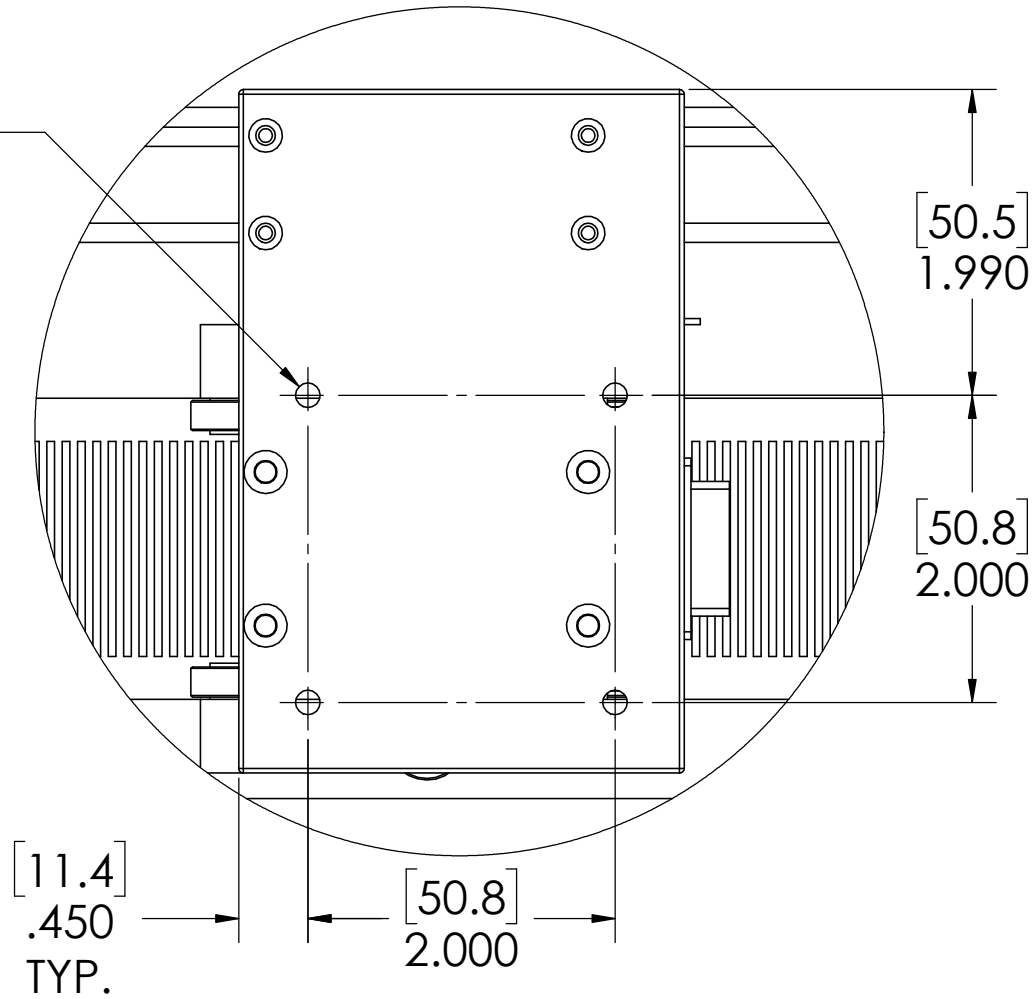
4X C'BORE FOR 1/4-20 SHCS



PAYLOAD MOUNTING FEATURES



4X TAP 10-32 UNF
 ▾ .25 [6.4]



DETAIL A
 SCALE 1 : 1.25



H2W Technologies, Inc.
 Santa Clarita, CA 91350 USA
 Tel: (661) 291-1620
www.h2wtech.com

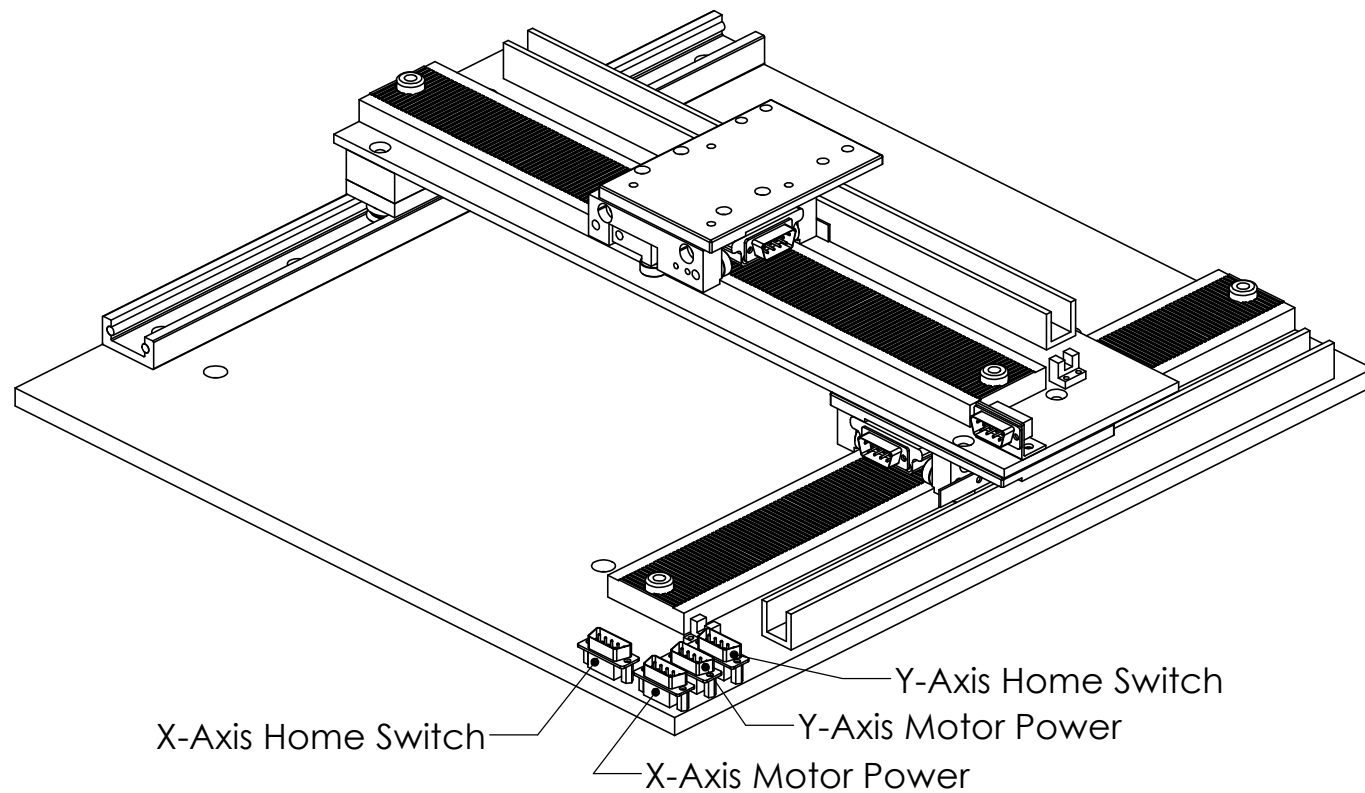
These drawings and specifications are the property of H2W Technologies, Inc. They are issued in confidence and shall not be reproduced, copied, or used without written permission from H2W Technologies, Inc.

UNLESS SPECIFIED OTHERWISE:
 All dimensions are in inches
 Standard Tolerances are as follows
 .XXX ±.005 ANGLES ±.1°
 .XX ±.010 FILLETS .010
 .X ±.020 CORNERS .010
 Remove All Burrs and Sharp Edges

**FOR
 REFERENCE
 ONLY**

MATERIAL	TITLE
FINISH	Linear Stepper Stage Model #: LSS-012-12-060-XY

DWG #	10-0472
REV	B
DATE	11-18-10
SHEET	2 of 3



LINEAR STEPPER STAGE SPECIFICATIONS (Top Axis)

Motor P/N	STS-0620-R	
Continuous Force	6.0 lbs	26.7 N
Stroke	12.25 in	311 mm
Encoder Resolution	NONE	
Rated Current	2.0 Amp	
Resistance/Phase @ 20C	2.40 ohms	
Inductance/Phase @ 20C	3.0 mH	
Motor Phases	2	
Bearing Type	Roller Bearing	
Nominal Airgap	0.0015"	
Moving Mass	0.85 lbs	385 g
Totas Mass	6.6 lbs	2986 g

PIN LAYOUT

X-Axis Motor		Y-Axis Motor		X & Y Axis Home Switch	
Pin	Function	Pin	Function	Pin	Function
1	Phase A+	1	Motor Ground	1	Not Connected
2	Not Connected	2	Not Connected	2	Not Connected
3	Phase B+	3	Phase B+	3	Not Connected
4	Not Connected	4	Not Connected	4	Not Connected
5	Motor Ground	5	Phase A+	5	Not Connected
6	Not Connected	6	Phase B-	6	+5-24 VDC
7	Phase A-	7	Not Connected	7	Ground
8	Not Connected	8	Phase A-	8	Dark ON
9	Phase B-	9	Not Connected	9	Light ON

LINEAR STEPPER STAGE SPECIFICATIONS (Bottom Axis)

Motor P/N	STS-0620-R	
Continuous Force	6.0 lbs	26.7 N
Stroke	12.25 in	311 mm
Encoder Resolution	NONE	
Rated Current	2.0 Amp	
Resistance/Phase @ 20C	2.40 ohms	
Inductance/Phase @ 20C	3.0 mH	
Motor Phases	2	
Bearing Type	Roller Bearing	
Nominal Airgap	0.0015"	
Moving Mass	0.85 lbs	385 g
Totas Mass	17 lbs	7692 g

