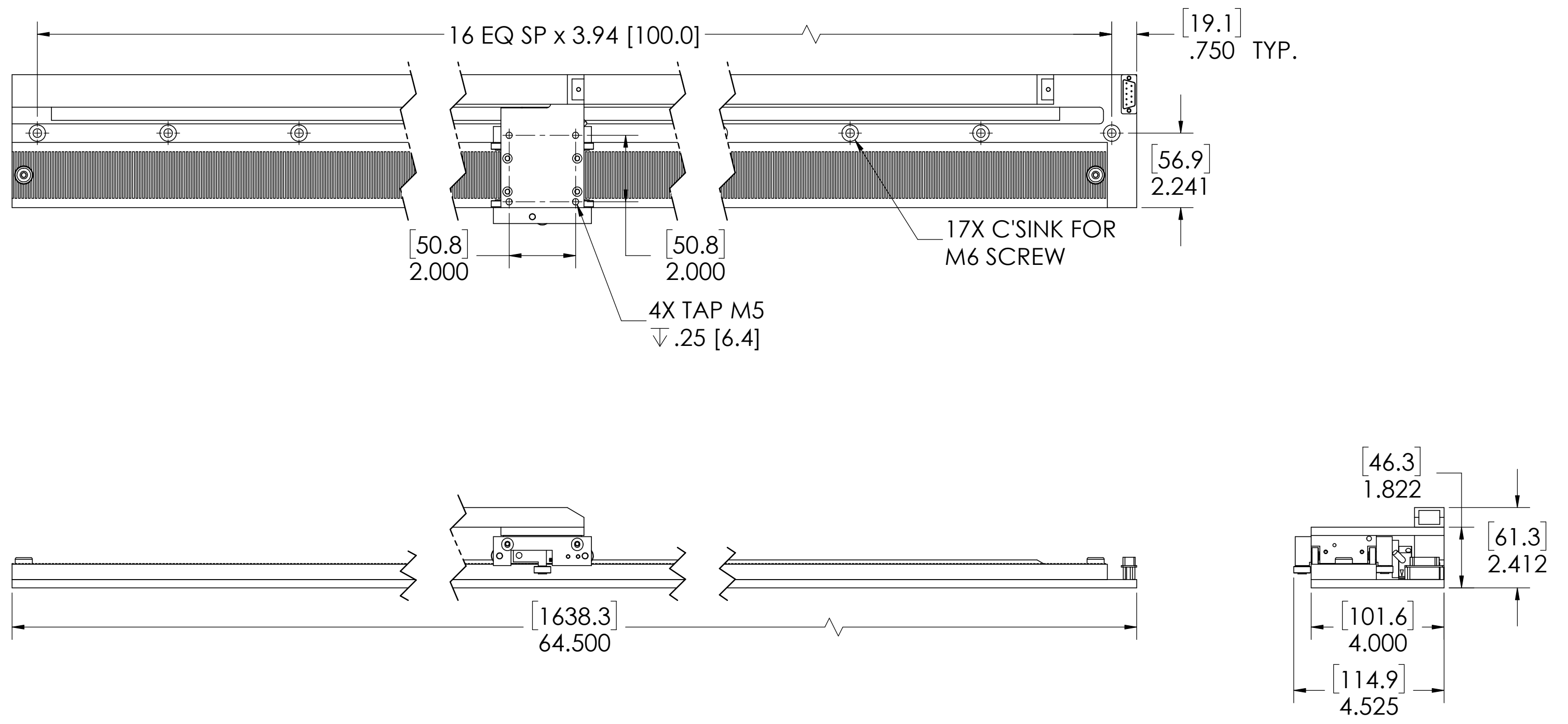


REVISION TABLE					
REV	ECN#	DESCRIPTION	REV BY	APPROVED	DATE
--	--	Original Drawing	OOG	MPW	5-8-14



1

2

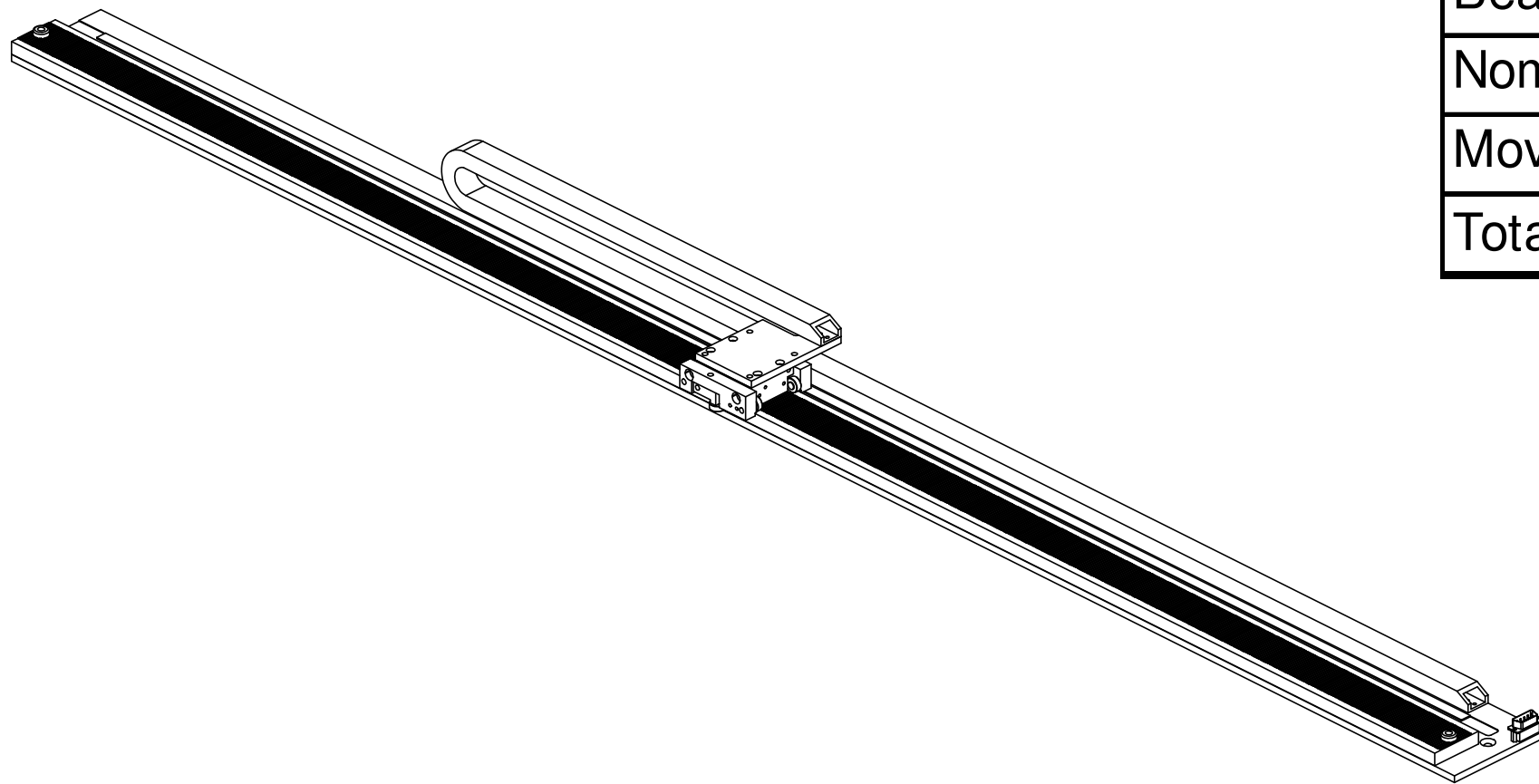
3

4

5

## LINEAR STEPPER STAGE SPECIFICATIONS

Motor P/N	STS-0620-R	
Continuous Force	6.0 lbs	26.7 N
Stroke	60in	1524mm
Encoder Resolution	1 micron	
Rated Current	2.0 Amp	
Resistance/Phase @ 20C	2.40 ohms	
Inductance/Phase @ 20C	3.0 mH	
Motor Phases	2	
Bearing Type	Roller Bearing	
Nominal Airgap	0.0015"	
Moving Mass	0.85 lbs	0.40 kg
Total Mass	24 lbs	11 kg



A

A

B

B

C

C

D

D



**H2W Technologies, Inc.**  
Santa Clarita, CA 91350 USA  
Tel: (661) 291-1620  
[www.h2wtech.com](http://www.h2wtech.com)

These drawings and specifications are the property of H2W Technologies, Inc. They are issued in confidence and shall not be reproduced, copied, or used without written permission from H2W Technologies, Inc.

UNLESS SPECIFIED OTHERWISE:  
All dimensions are in inches  
Standard Tolerances are as follows  
.XXX ±.005 ANGLES ±.1°  
.XX ±.010 FILLETS .010  
.X ±.020 CORNERS .010  
Remove All Burrs and Sharp Edges

**FOR  
REFERENCE  
ONLY**

MATERIAL

FINISH

TITLE

Linear Stepper Stage Model #:  
LSS-060-04-006-ME

DWG #

10-0589

REV

----

DATE  
5-8-14SHEET  
2 of 2