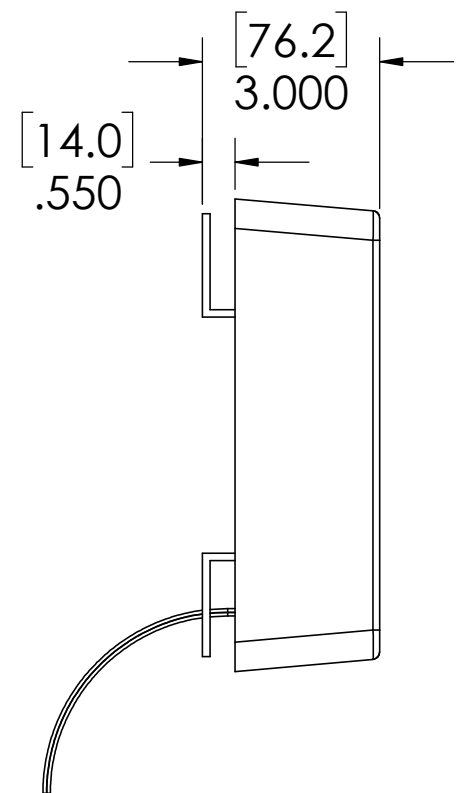
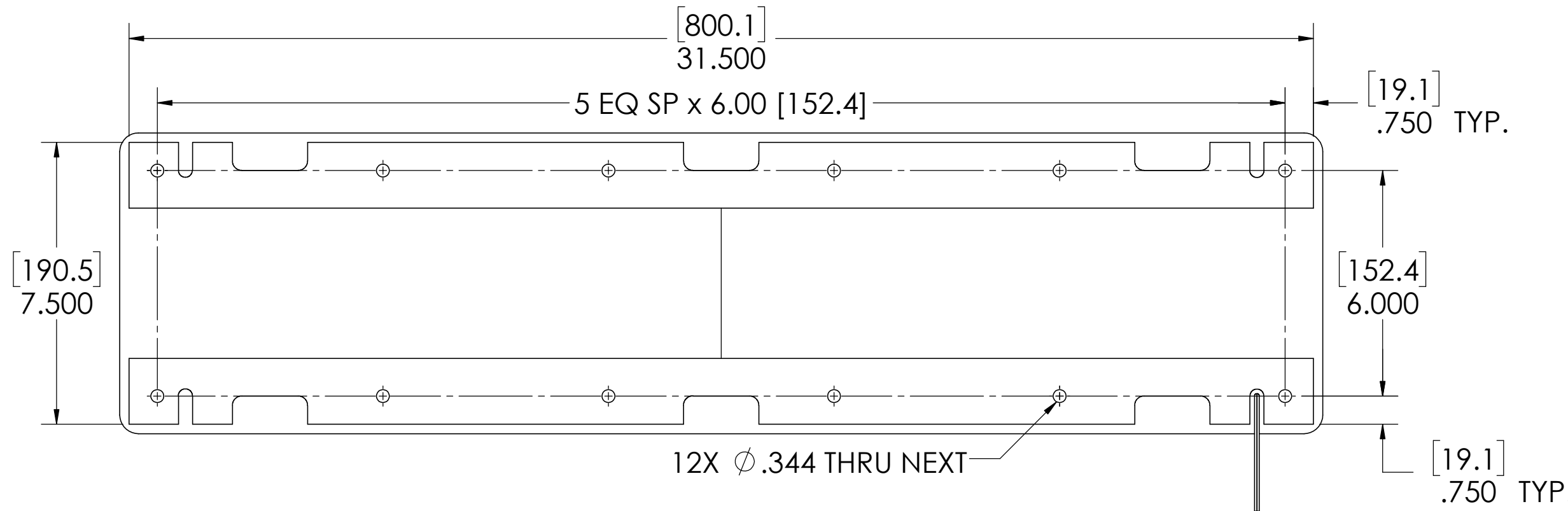
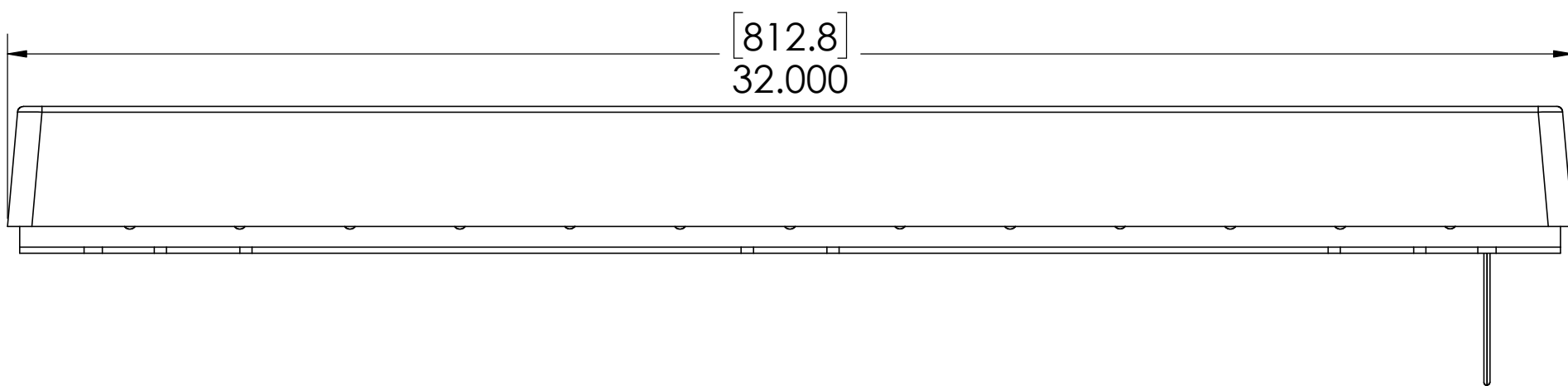


REVISION TABLE					
REV	ECN#	DESCRIPTION	REV BY	APPROVED	DATE
--	--	Original Drawing	SDC	MPW	7-17-15



A

A

B

B

C

C

D

D

1

2

3

4

5

A

A

B

B

C

C

D

D

LINEAR INDUCTION MOTOR SPECIFICATIONS		
Configuration	Single Sided	
Air Gap	0.125 in	3.0 mm
Duty Cycle	15%	
Force @ Duty Cycle	180 lbs	800 N
Power @ Duty Cycle	7.8 kW	
Current @ Duty Cycle	27.0 amps	
Phase Resistance @ 20C	0.85 ohms	
Input Voltage	480 VAC, 3Ø	
Frequency	60 Hz	
Length	32.0 in	813 mm
Width	8.0 in	203 mm
Weight	107 lbs	48.5 kg
Height	3.02 in	76.7 mm

