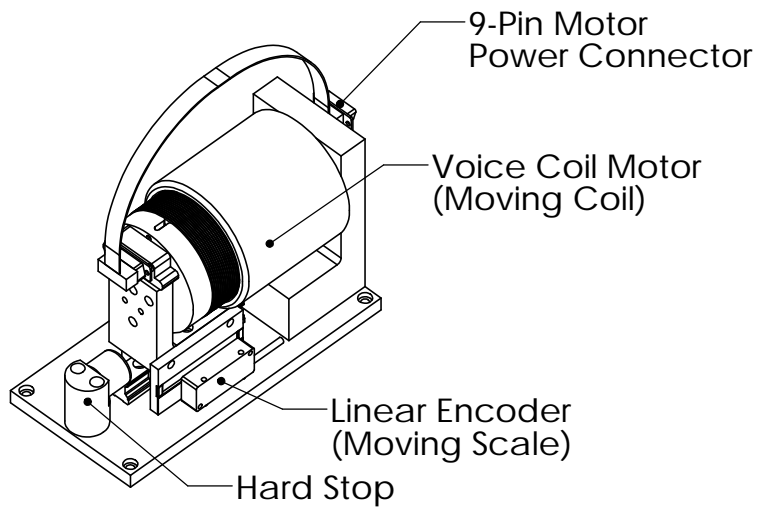
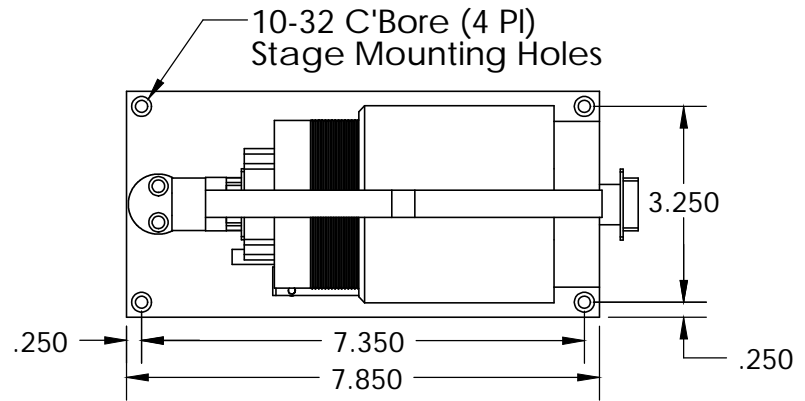
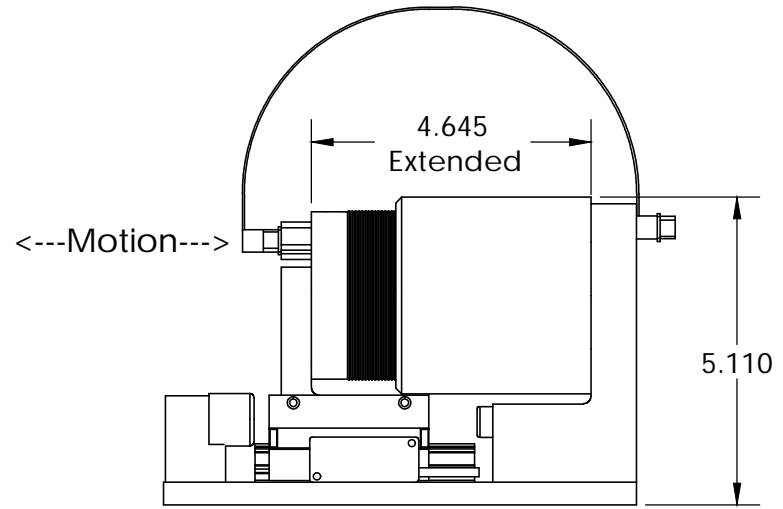
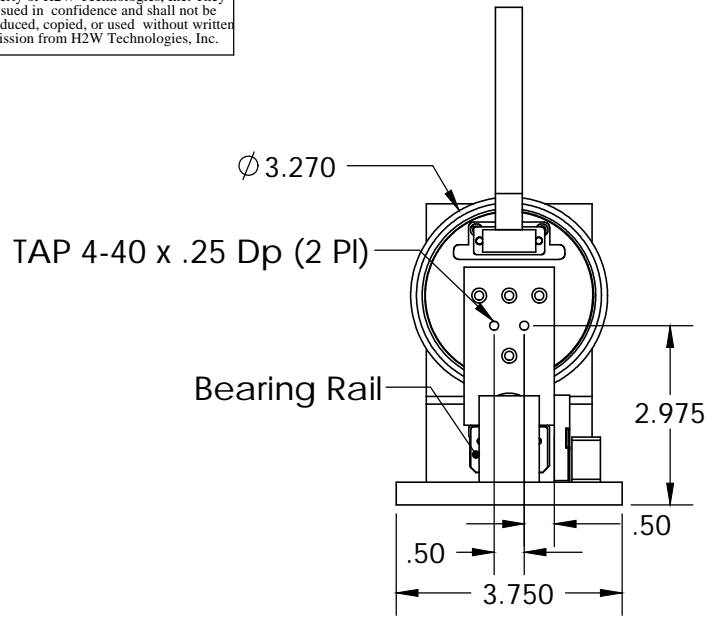


These drawings and specifications are the property of H2W Technologies, Inc. They are issued in confidence and shall not be reproduced, copied, or used without written permission from H2W Technologies, Inc.



H2W Technologies, Inc.
 26470 Ruether Ave #102 Santa Clarita, CA 91350 USA
 Tel: (661) 251-2081 Fax: (661) 251-2067
 www.h2wtech.com

UNLESS SPECIFIED OTHERWISE:
 All dimensions are in inches
 Standard Tolerances are as follows:
 .XXX ±.005 ANGLES ±1°
 .XX ±.010 FILLETS AND
 .X ±.020 CORNERS .010
 Remove All Burrs and Sharp Edges

MATERIAL		FINISH	
DRAWN OOG	DATE 11-21-02	APPROVED MPW	DATE 11-21-02

TITLE			
Voice Coil Positioning Stage Model #VCS08-225-LB-01-C			
DWG #	REV	SHEET	
30-0159	A		2 of 2

VOICE COIL POSITIONING STAGE SPECIFICATIONS		
Motor P/N	NCC08-34-350-2X	
Stroke	0.80"	20.3 mm
Encoder Resolution	1 micron	
Bearing Type	Linear Bearing	
Moving Mass	1.0 lbs	0.67 kgrams
Total Mass	10.81 lbs	4.87 kgrams
Resistance @ 20C	6.25 ohms	
Inductance @ 20C	5.0 mH	
Electrical Time Constant	0.80 msec	
Motor Constant	5.80 LBS/SQRT(Watt)	25.8 N/SQRT(Watt)
Force Constant	14.5 LBS/Amp	64.2 N/Amp
Back EMF	1.6 V/ips	64.2 V/m/sec
Continuous Force	35 LBS	156 N
Max Power @ 100% Duty	36 Watts	
Peak Force	105 LBS	467 N
Max Power @ 10% Duty	330 Watts	

TITLE		
Voice Coil Positioning Stage Model #VCS08-225-LB-01-C		
DWG #	REV	SHEET
30-0159	A	2 of 2