

1

2

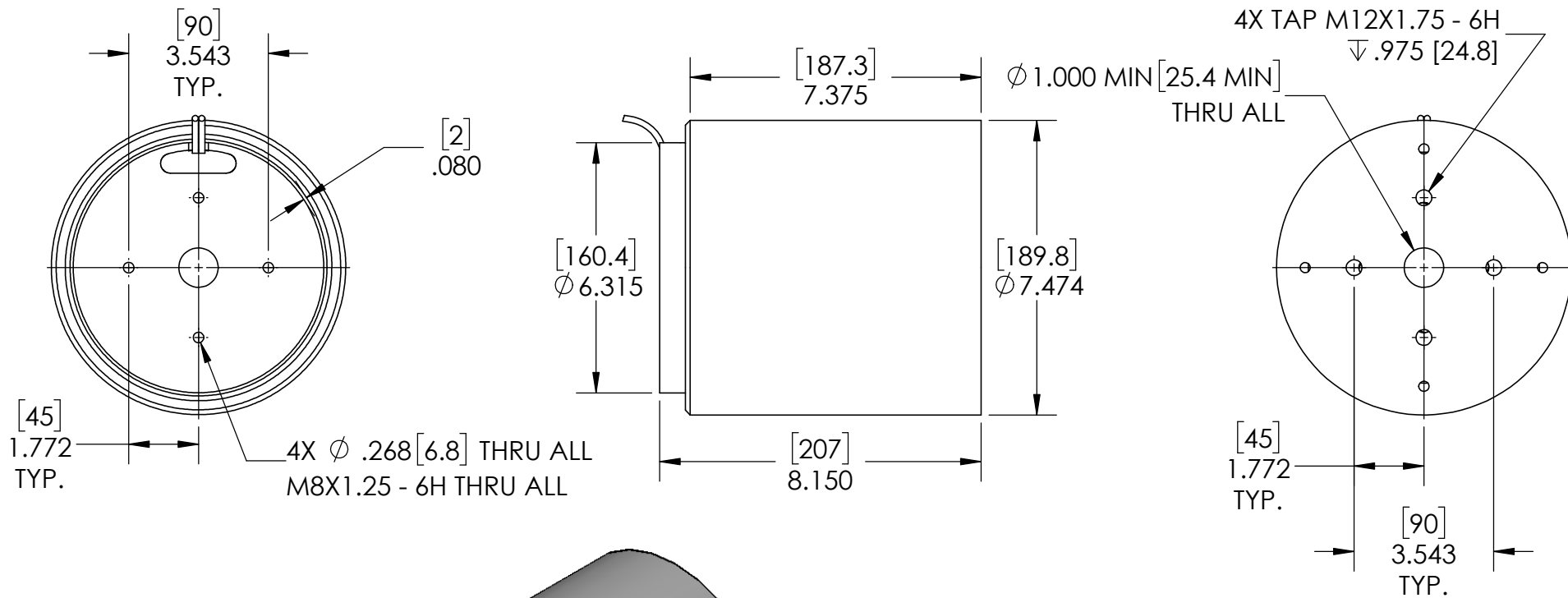
3

4

5

## REVISION TABLE

REV	ECN#	DESCRIPTION	REV BY	APPROVED	DATE
---	---	Original Drawing	SDC	MPW	10-11-17
A	2018	Updated mtg features. Added $\varnothing$ 10mm hole.	SDC	MPW	10-12-17



**H2W Technologies, Inc.**  
 Santa Clarita, CA 91350 USA  
 Tel: (661) 291-1620  
[www.h2wtech.com](http://www.h2wtech.com)

These drawings and specifications are the property of H2W Technologies, Inc. They are issued in confidence and shall not be reproduced, copied, or used without written permission from H2W Technologies, Inc.

UNLESS SPECIFIED OTHERWISE:  
 All dimensions are in inches  
 Standard Tolerances are as follows  
 .XXX  $\pm$  .005 ANGLES  $\pm$  1°  
 .XX  $\pm$  .010 FILLETS .010  
 .X  $\pm$  .020 CORNERS .010  
 Remove All Burrs and Sharp Edges

**FOR  
 REFERENCE  
 ONLY**

MATERIAL

FINISH

TITLE

Voice Coil Actuator Model #:  
**NCC08-75-3000-3X**

DWG #

**30-1384**

REV

**B**

DATE

10-12-17

SHEET

1 of 2

1

2

3

4

5

A

A

B

B

C

C

D

D

### NON-COMM ACTUATOR SPECIFICATIONS

Motor P/N	NCC08-75-3000-3X	
Device Type	Moving Coil	
Stroke	0.80 in	20 mm
Radial Clearance	0.080 in / side	2.0 mm / side
Bearing Type	None	
Moving Mass	8.0 lbs	3.6 kg
Total Mass	81 lbs	37 kg
Resistance @ 20C	17 ohms $\pm$ 10%	
Inductance @ 20C	10 mH	
Electrical Time Constant	0.6 msec	
Motor Constant	17.6 lbs/sqrt(watt)	78.3 N/sqrt(watt)
Force Constant	72.6 lbs/amp	323 N/amp
Back EMF	8.2 V/ips	323 V/m/s
Force @ 100% Duty	300 lbs	1300 N
Power @ 100% Duty	275 watts	
Current @ 100% Duty	4.0 amps	
Force @ 10% Duty	900 lbs	4000 N
Power @ 10% Duty	2750 watts	
Current @ 10% Duty	12.0 amps	



**H2W Technologies, Inc.**

Santa Clarita, CA 91350 USA  
Tel: (661) 291-1620

[www.h2wtech.com](http://www.h2wtech.com)

These drawings and specifications are the property of H2W Technologies, Inc. They are issued in confidence and shall not be reproduced, copied, or used without written permission from H2W Technologies, Inc.

UNLESS SPECIFIED OTHERWISE:  
All dimensions are in inches  
Standard Tolerances are as follows  
.XXX  $\pm$  .005 ANGLES  $\pm$  .1°  
.XX  $\pm$  .010 FILLETS .010  
.X  $\pm$  .020 CORNERS .010  
Remove All Burrs and Sharp Edges

**FOR  
REFERENCE  
ONLY**

MATERIAL

FINISH

TITLE

Voice Coil Actuator Model #:  
**NCC08-75-3000-3X**

DWG #

**30-1384**

REV

**B**

DATE

10-12-17

SHEET

2 of 2