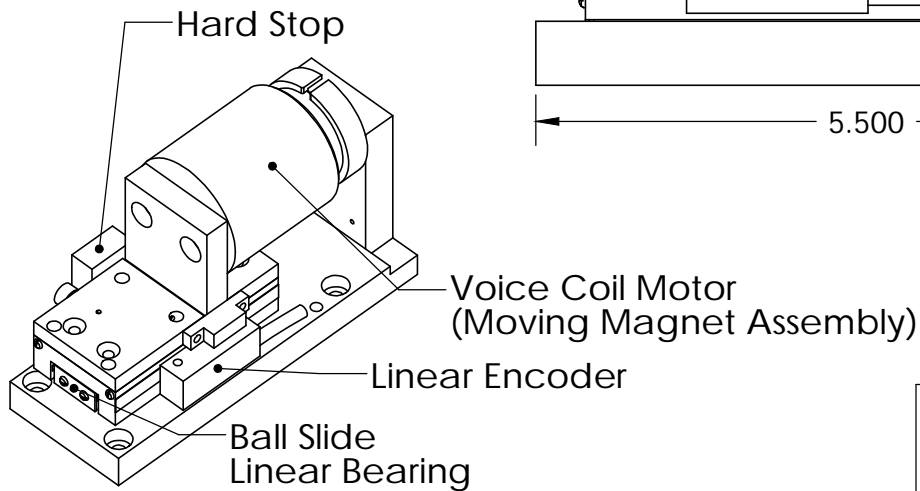
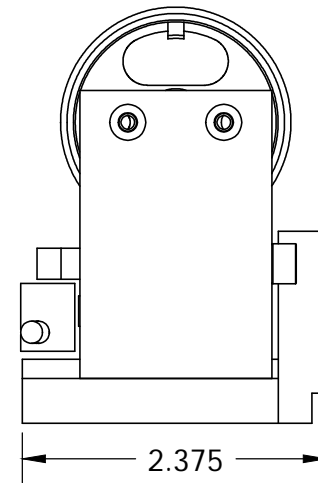
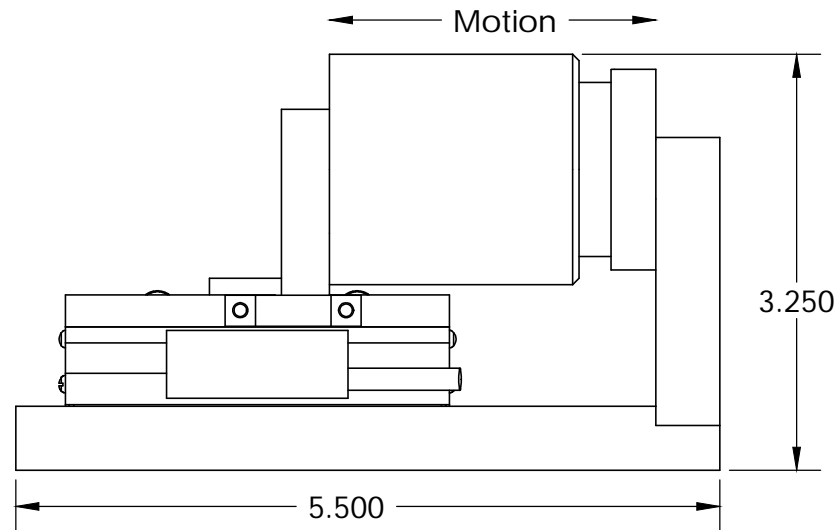
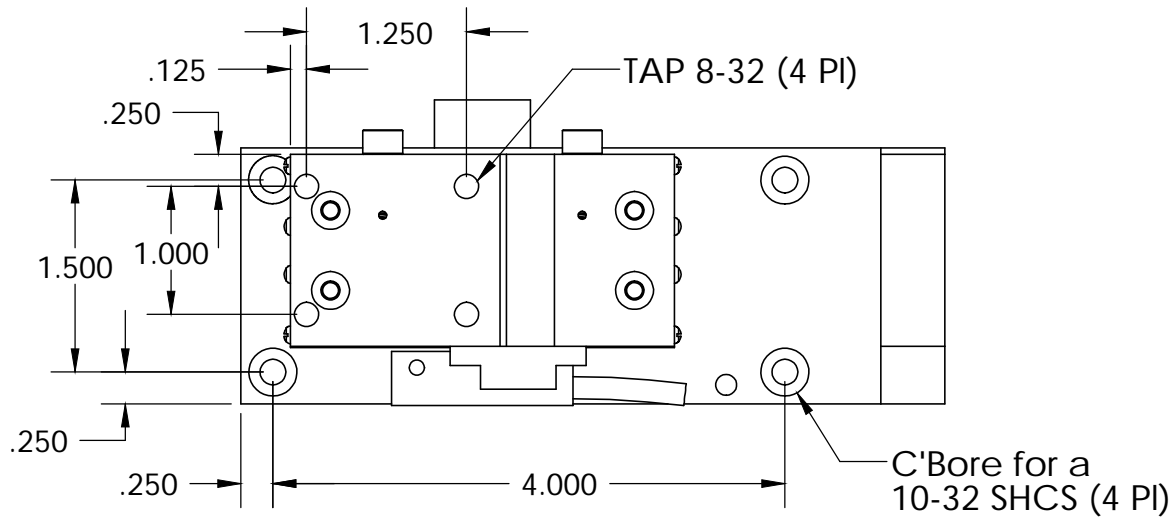


These drawings and specifications are the property of H2W Technologies, Inc. They are issued in confidence and shall not be reproduced, copied, or used without written permission from H2W Technologies, Inc. (www.h2wtech.com)

MOTOR HAS BEEN HIDDEN TO SHOW MOUNTING HOLES



UNLESS SPECIFIED OTHERWISE: All dimensions are in inches Standard Tolerances are as follows: .XXX ±.005 ANGLES ±1° .XX ±.010 FILLETS .010 .X ±.020 CORNERS .010 Remove All Burrs and Sharp Edges				MATERIAL		TITLE	
				FINISH		Voice Coil Positioning Stage Model #VCS05-060-VBS-V01	
DRAWN OOG	DATE 4-22-08	APPROVED MPW	DATE 4-22-08	DWG # 31-0072	REV ---	SHEET 1 of 2	

H2W Technologies, Inc.
 26470 Ruether Ave #102 Santa Clarita, CA 91350 USA
 Tel: (661) 251-2081 Fax: (661) 251-2067
 www.h2wtech.com

MOVING COIL NON-COMM ACTUATOR SPECIFICATIONS		
Motor P/N	NCC05-18-060-2X	
Stroke	0.50"	12.7 mm
Encoder Resolution	1 micron	
Bearing Type	Ball Slide	
Moving Mass	.96 lbs	436 grams
Total Mass	1.98 lbs	899 grams
Resistance @ 20C	11.5 ohms	
Inductance @ 20C	4.5 mH	
Electrical Time Constant	0.39 msec	
Motor Constant	1.78 LBS/SQRT(Watt)	7.92 N/SQRT(Watt)
Force Constant	6.3 LBS/Amp	27.8 N/Amp
Back EMF	0.7 V/ips	27.8 V/m/sec
Continuous Force	6.0 LBS	26.7 N
Max Power @ 100% Duty	12 Watts	
Peak Force	18.0 LBS	80.1 N
Max Power @ 10% Duty	102 Watts	

NOTE: VOICE COIL POSITIONING STAGE IS VACUUM COMPATIBLE

TITLE		
Voice Coil Positioning Stage Model #VCS05-060-VBS-V01		
DWG #	REV	SHEET
31-0072	---	2 of 2