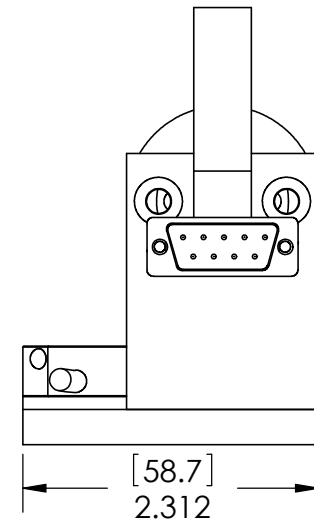
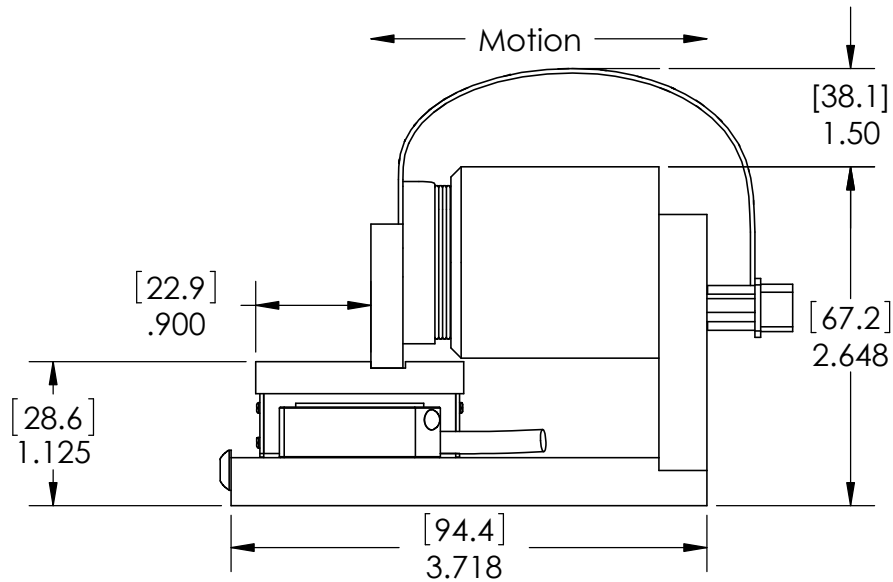
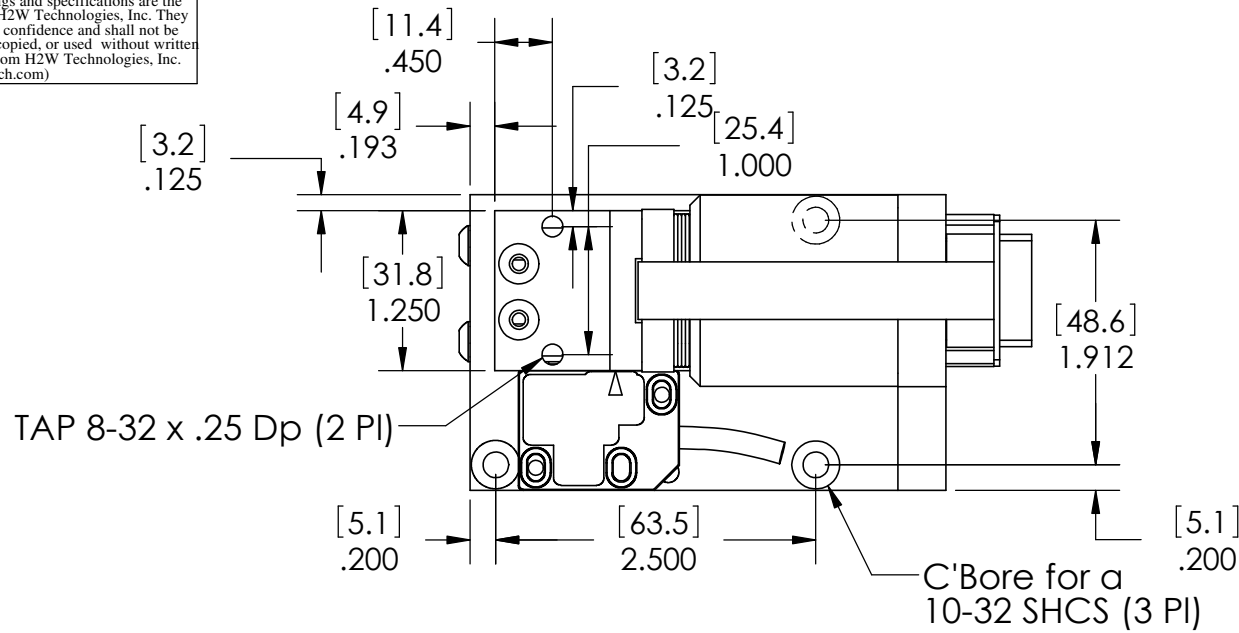


These drawings and specifications are the property of H2W Technologies, Inc. They are issued in confidence and shall not be reproduced, copied, or used without written permission from H2W Technologies, Inc. (www.h2wtech.com)

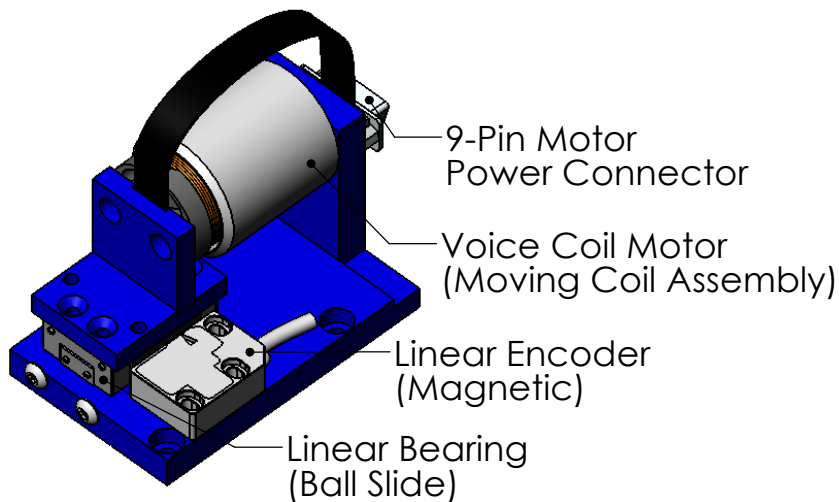


Dual Dimensions [mm] in

UNLESS SPECIFIED OTHERWISE: All dimensions are in inches Standard Tolerances are as follows .XXX ±.005 ANGLES ±1° .XX ±.010 FILLETS .010 X ±.020 CORNERS .010 Remove All Burrs and Sharp Edges				MATERIAL		<b>TITLE</b> Voice Coil Positioning Stage Model #: VCS03-050-BS-01-MC		
				FINISH				
DRAWN	DATE	APPROVED	DATE	DWG #	REV	SHEET		
OOG	9-8-08	MPW	9-8-08	<b>31-0105</b>	---	1 of 2		

**H2W Technologies, Inc.**  
 26470 Ruether Ave #102 Santa Clarita, CA 91350 USA  
 Tel: (661) 251-2081 Fax: (661) 251-2067  
 www.h2wtech.com

VOICE COIL POSITIONING STAGE SPECIFICATIONS		
Motor P/N	NCC03-15-050-2X	
Stroke	0.25"	6.4 mm
Encoder Resolution	1 micron	
Bearing Type	Crossed Roller	
Moving Mass	0.25 lbs	114 grams
Total Mass	1.3 lbs	590 grams
Resistance @ 20C	3.75 ohms	
Inductance @ 20C	1.30 mH	
Electrical Time Constant	0.35 msec	
Motor Constant	1.38 LBS/SQRT(Watt)	6.14 N/SQRT(Watt)
Force Constant	2.7 LBS/Amp	11.9 N/Amp
Back EMF	0.3 V/ips	11.9 V/m/sec
Continuous Force	5.0 LBS	22.3 N
Max Power @ 100% Duty	13 Watts	
Peak Force	15.0 LBS	66.8 N
Max Power @ 10% Duty	118 Watts	



TITLE	Voice Coil Positioning Stage Model #: VCS03-050-BS-01-MC		
DWG #	31-0105	REV	---
		SHEET	2 of 2