

1

2

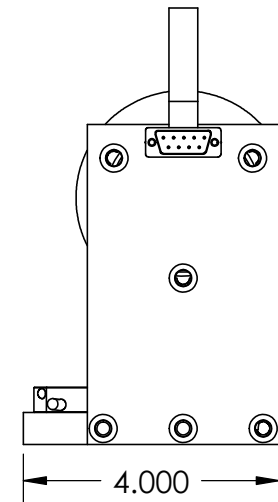
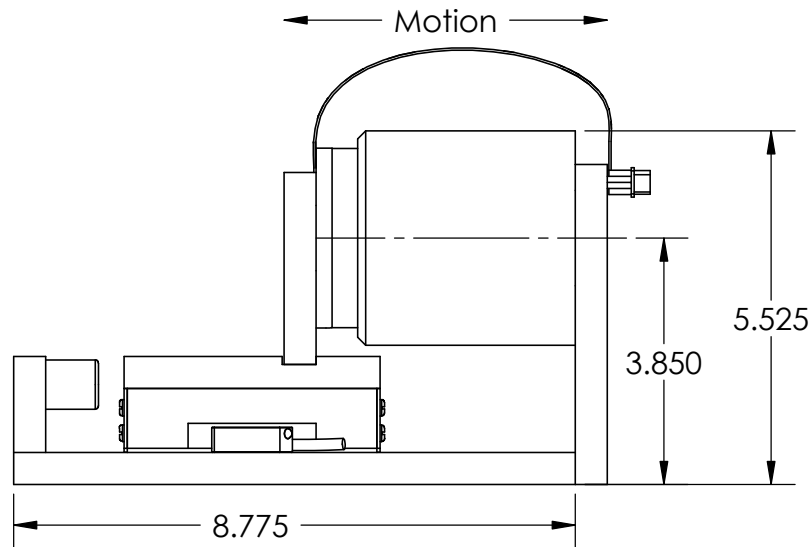
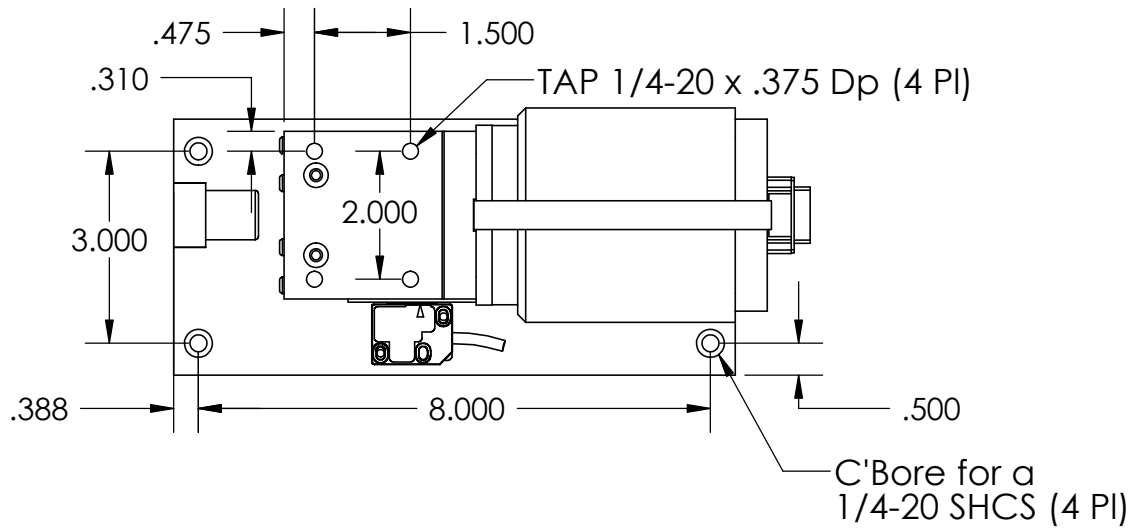
3

4

5

REVISION TABLE

REV	ECN#	DESCRIPTION	REV BY	APPROVED	DATE
A	---	---	OOG	MPW	4-5-10



H2W Technologies, Inc.

Santa Clarita, CA 91350 USA
Tel: (661) 291-1620

www.h2wtech.com

These drawings and specifications are the property of H2W Technologies, Inc. They are issued in confidence and shall not be reproduced, copied, or used without written permission from H2W Technologies, Inc.

UNLESS SPECIFIED OTHERWISE:
All dimensions are in inches
Standard Tolerances are as follows
XXX ±.005 ANGLES ±.1°
.XX ±.010 FILLETS .010
.X ±.020 CORNERS .010
Remove All Burrs and Sharp Edges

FOR
REFERENCE
ONLY

MATERIAL

FINISH

TITLE

Voice Coil Stage Model #:
VCS08-350-CR-01-MC

DWG #

31-0201

REV

A

DATE

4-5-10

SHEET

1 of 2

1

2

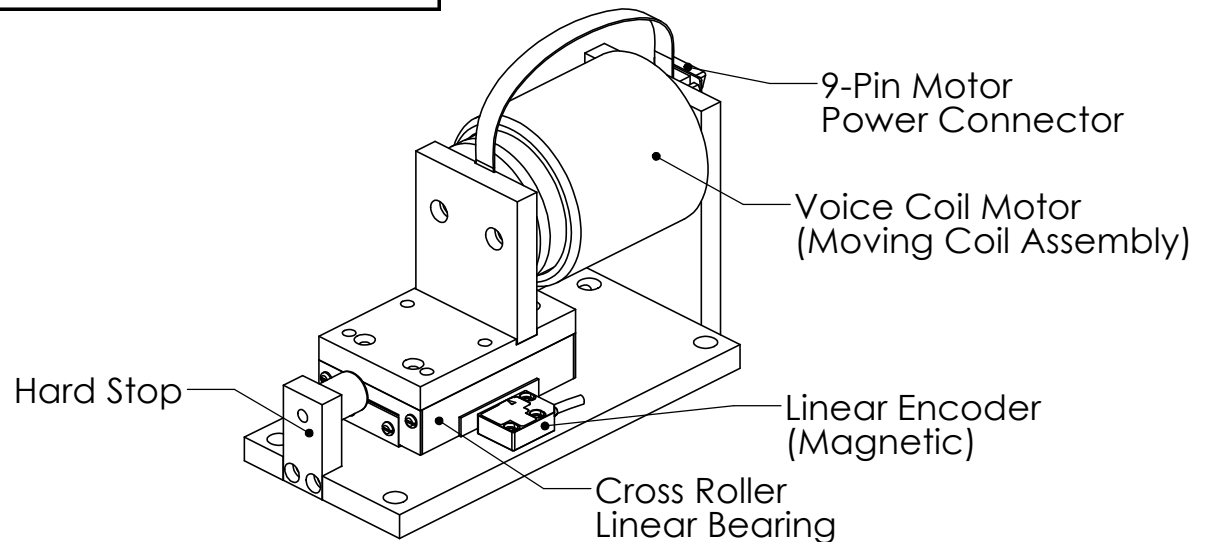
3

4

5

VOICE COIL POSITIONING STAGE SPECIFICATIONS

Motor P/N	NCC08-34-350-2X	
Stroke	0.80"	20.3 mm
Encoder Resolution	1 micron	
Bearing Type	Crossed Roller	
Moving Mass	2.38 lbs	1.08 kgrams
Total Mass	11.65 lbs	5.29 kgrams
Resistance @ 20C	6.25 ohms	
Inductance @ 20C	5.0 mH	
Electrical Time Constant	0.80 msec	
Motor Constant	5.80 LBS/SQRT(Watt)	25.8 N/SQRT(Watt)
Force Constant	14.5 LBS/Amp	64.2 N/Amp
Back EMF	1.6 V/ips	64.2 V/m/sec
Continuous Force	35 LBS	156 N
Max Power @ 100% Duty	36 Watts	
Peak Force	105 LBS	467 N
Max Power @ 10% Duty	330 Watts	



H2W Technologies, Inc.
 Santa Clarita, CA 91350 USA
 Tel: (661) 291-1620
www.h2wtech.com

These drawings and specifications are the property of H2W Technologies, Inc. They are issued in confidence and shall not be reproduced, copied, or used without written permission from H2W Technologies, Inc.

UNLESS SPECIFIED OTHERWISE:
 All dimensions are in inches
 Standard Tolerances are as follows
 .XXX ±.005 ANGLES ±.1°
 .XX ±.010 FILLETS .010
 .X ±.020 CORNERS .010
 Remove All Burrs and Sharp Edges

**FOR
 REFERENCE
 ONLY**

MATERIAL

FINISH

TITLE

Voice Coil Stage Model #:
VCS08-350-CR-01-MC

DWG #

31-0201

REV

A

DATE

4-5-10

SHEET

2 of 2