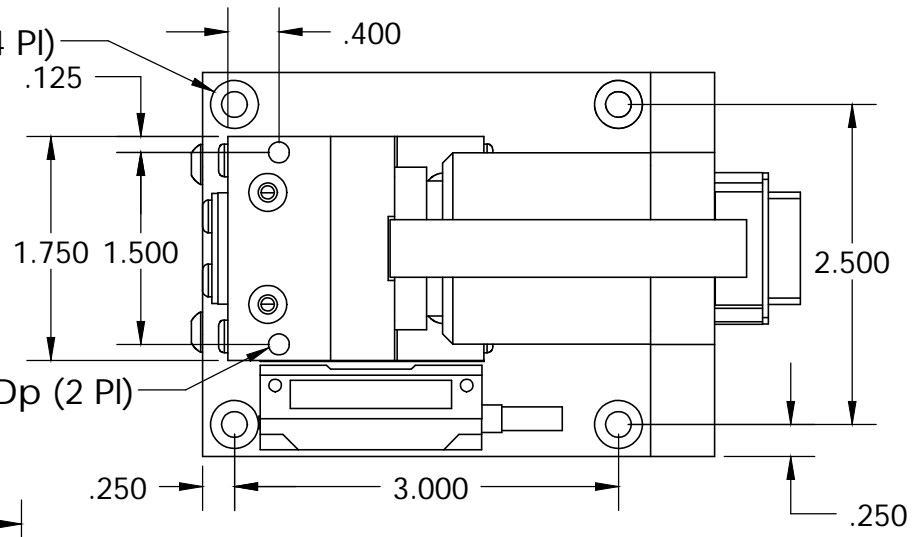
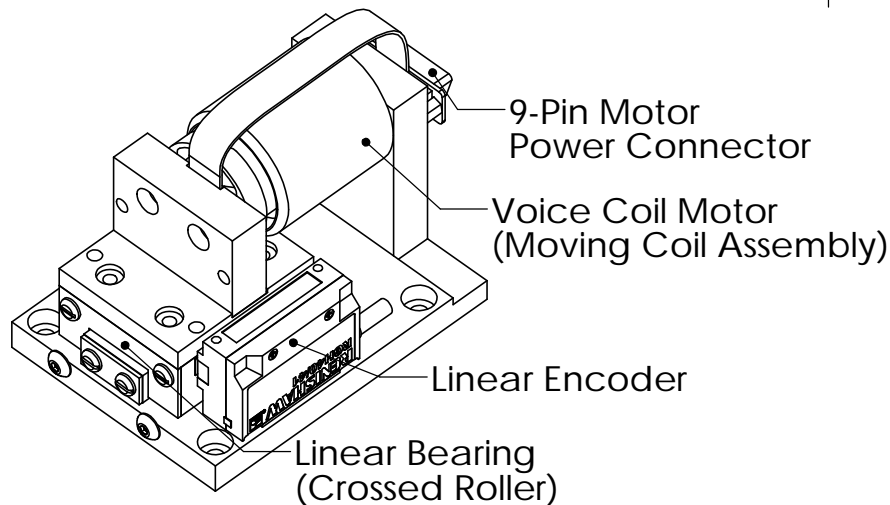
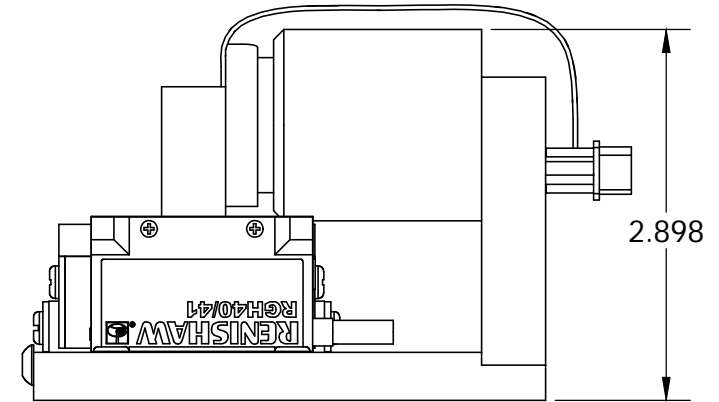
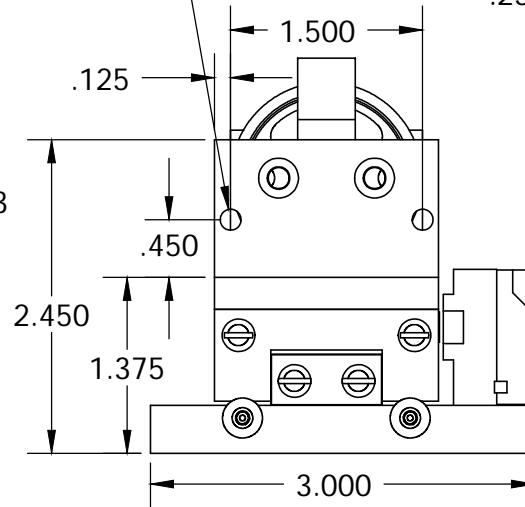
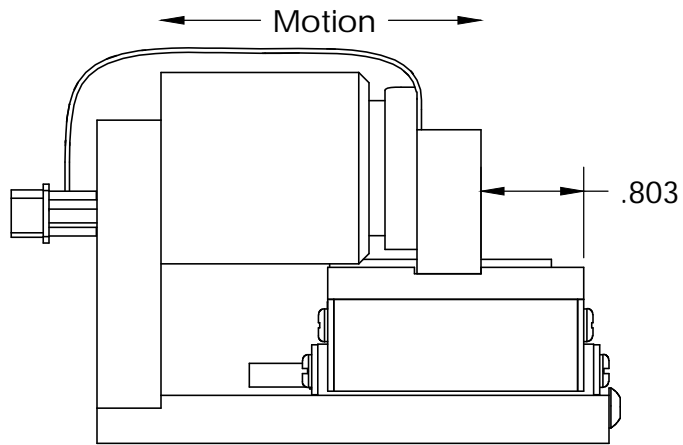


These drawings and specifications are the property of H2W Technologies, Inc. They are issued in confidence and shall not be reproduced, copied, or used without written permission from H2W Technologies, Inc. (www.h2wtech.com)

C'Bore for a
10-32 SHCS (4 PI)



TAP 8-32 x .25 Dp (2 PI)



UNLESS SPECIFIED OTHERWISE:
All dimensions are in inches
Standard Tolerances are as follows
.XXX ±.005 ANGLES ±1°
.XX ±.010 FILLETS .010
.X ±.020 CORNERS .010
Remove All Burrs and Sharp Edges

MATERIAL			
FINISH			
DRAWN OOG	DATE 6-22-10	APPROVED MPW	DATE 6-22-10

TITLE Voice Coil Positioning Stage Model #: VCS03-050-CR-001-C			
DWG # 31-0211	REV ---	SHEET 1 of 2	

H2W Technologies, Inc.
26470 Ruether Ave #102 Santa Clarita, CA 91350 USA
Tel: (661) 251-2081 Fax: (661) 251-2067
www.h2wtech.com

VOICE COIL POSITIONING STAGE SPECIFICATIONS		
Motor P/N	NCC03-15-050-2X	
Stroke	0.25"	6.4 mm
Encoder Resolution	0.1 micron	
Bearing Type	Crossed Roller	
Moving Mass	0.47 lbs	213 grams
Total Mass	1.8 lbs	813 grams
Resistance @ 20C	3.75 ohms	
Inductance @ 20C	1.30 mH	
Electrical Time Constant	0.35 msec	
Motor Constant	1.38 LBS/SQRT(Watt)	6.14 N/SQRT(Watt)
Force Constant	2.7 LBS/Amp	11.9 N/Amp
Back EMF	0.3 V/ips	11.9 V/m/sec
Continuous Force	5.0 LBS	22.3 N
Max Power @ 100% Duty	13 Watts	
Peak Force	15.0 LBS	66.8 N
Max Power @ 10% Duty	118 Watts	

TITLE		
Voice Coil Positioning Stage		
Model #: VCS03-050-CR-001-C		
DWG #	REV	SHEET
31-0211	---	2 of 2