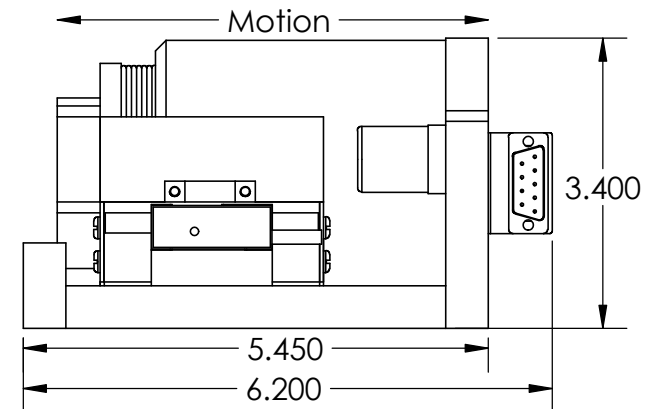
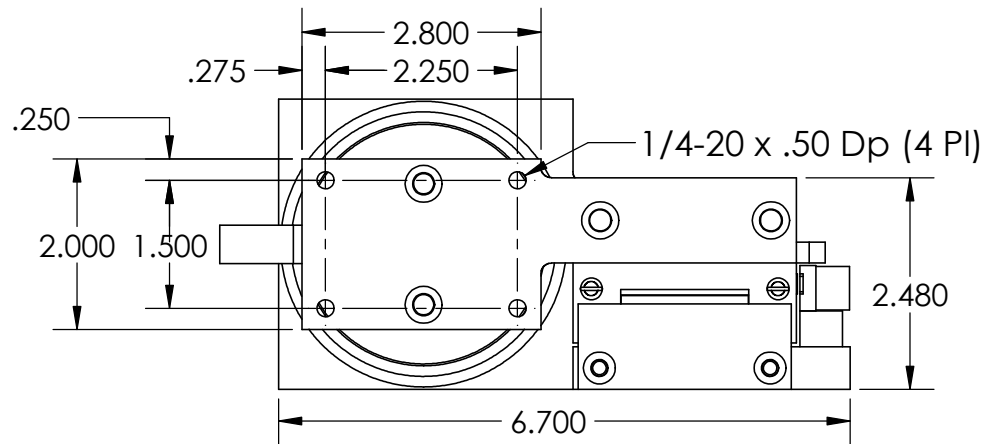
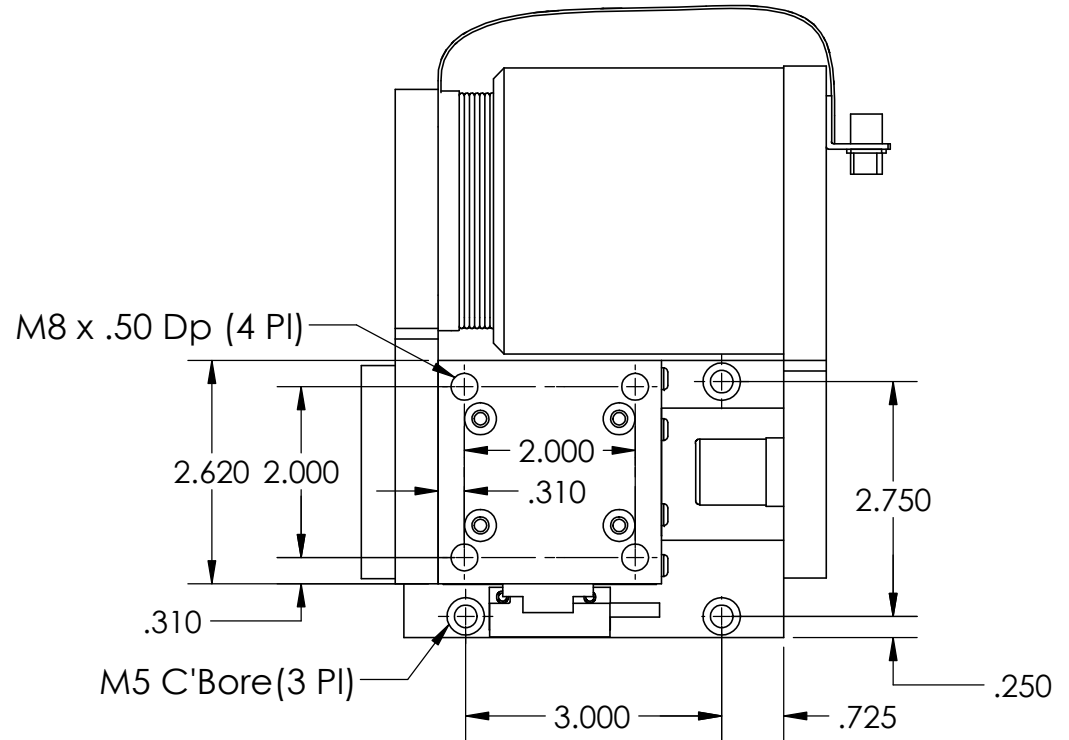


These drawings and specifications are the property of H2W Technologies, Inc. They are issued in confidence and shall not be reproduced, copied, or used without written permission from H2W Technologies, Inc. (www.h2wtech.com)

REVISION TABLE						
REV	ECN#	DESCRIPTION		REV BY	APPROVED	DATE
---	---	Original Drawing		OOG	MPW	10-11-11



H2W Technologies, Inc.

26470 Ruether Ave #102 Santa Clarita, CA 91350 USA
Tel: (661) 251-2081 Fax: (661) 251-2067
www.h2wtech.com

TITLE
Voice Coil Positioning Stage
Model #: VCS08-350-CR-001-CS

UNLESS SPECIFIED OTHERWISE:
All dimensions are in inches
Standard Tolerances are as follows
.XXX ±.005 ANGLES ±1°
.XX ±.010 FILLETS .010
.X ±.020 CORNERS .010
Remove All Burs and Sharp Edges

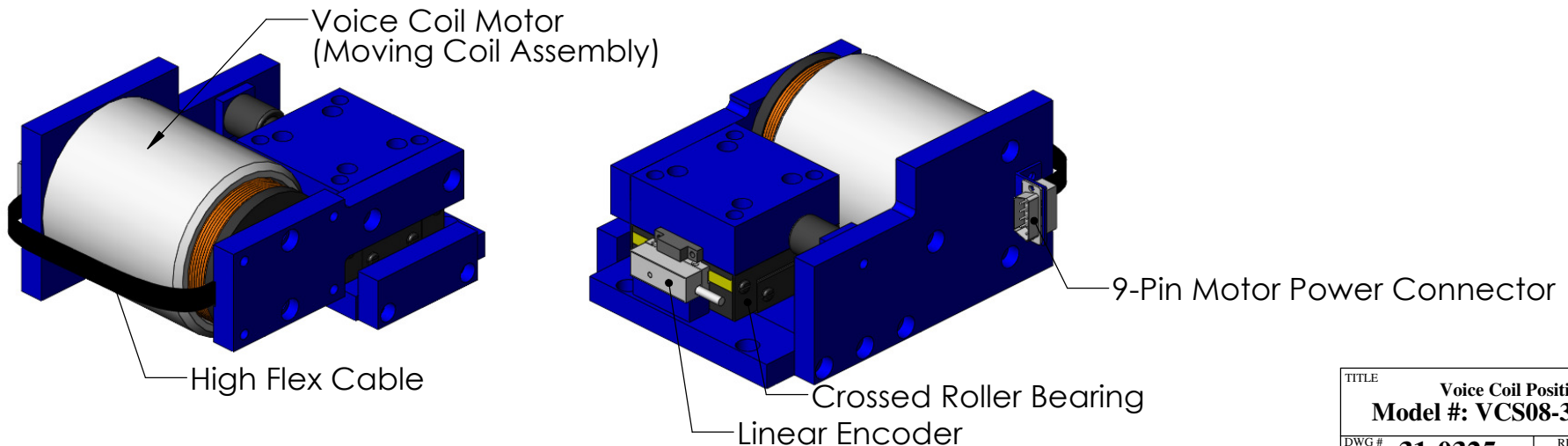
MATERIAL		DATE		APPROVED	
		10-11-11	10-11-11	MPW	
FINISH		DATE		APPROVED	
		10-11-11	10-11-11	MPW	

DWG #	REV	SHEET
31-0325	---	1 of 2

MOTOR SHOWN AT MID-STROKE

VOICE COIL POSITIONING STAGE SPECIFICATIONS

Motor P/N	NCC08-34-350-2X	
Stroke	0.80"	20.3 mm
Encoder Resolution	0.1 micron	
Bearing Type	Crossed Roller	
Moving Mass	2.4 lbs	1.1 kg
Total Mass	8.6 lbs	3.9 kg
Resistance @ 20C	6.25 ohms	
Inductance @ 20C	5.0 mH	
Electrical Time Constant	0.80 msec	
Motor Constant	5.80 LBS/SQRT(Watt)	25.8 N/SQRT(Watt)
Force Constant	14.5 LBS/Amp	64.2 N/Amp
Back EMF	1.6 V/ips	64.2 V/m/sec
Force @ 100% Duty	35 LBS	156 N
Power @ 100% Duty	36 Watts	
Current @ 100% Duty	2.4 Amps	
Force @ 10% Duty	105 LBS	467 N
Power @ 10% Duty	330 Watts	



TITLE	Voice Coil Positioning Stage Model #: VCS08-350-CR-001-CS	
DWG #	31-0325	REV ---
		SHEET 2 of 2