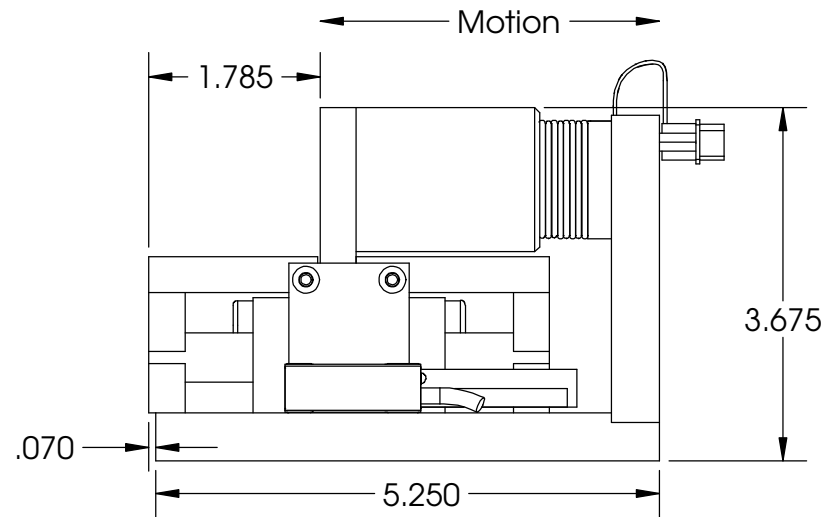
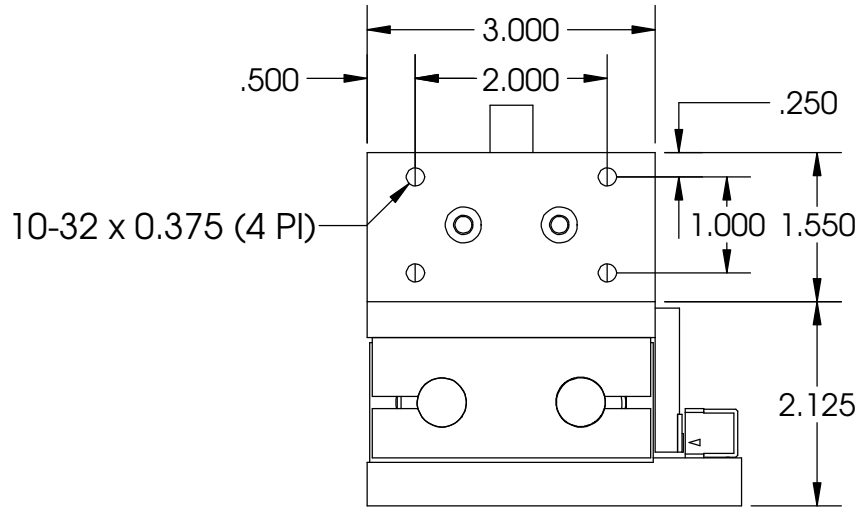
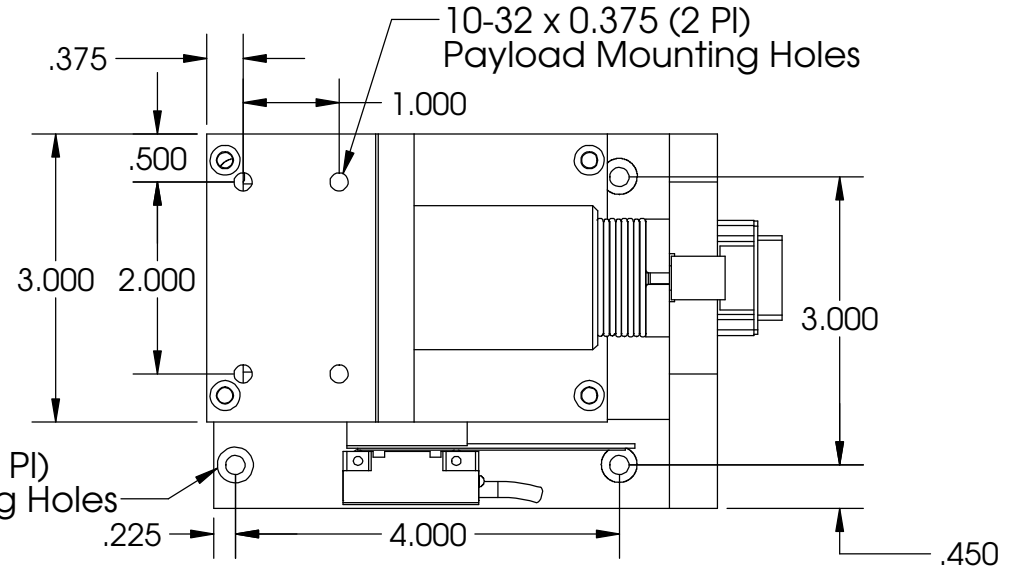


These drawings and specifications are the property of H2W Technologies, Inc. They are issued in confidence and shall not be reproduced, copied, or used without written permission from H2W Technologies, Inc. (www.h2wtech.com)

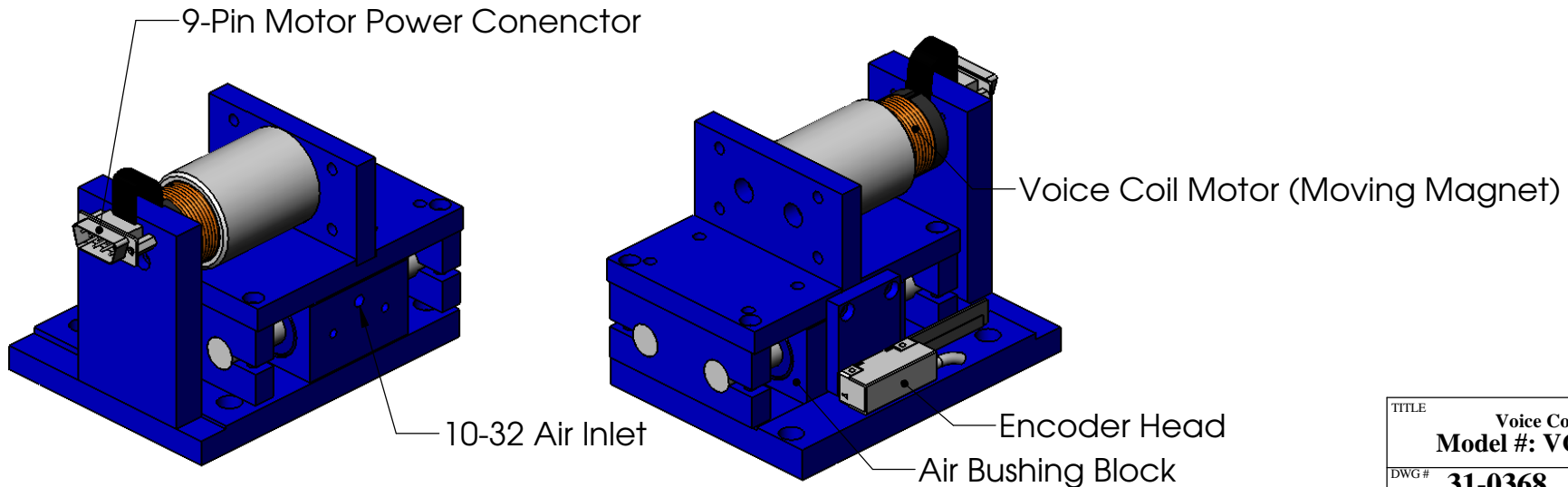
REVISION TABLE					
REV	ECN#	DESCRIPTION	REV BY	APPROVED	DATE
---	---	Original Drawing	OOG	MPW	8-8-12



Motor Shown at Mid-Stroke

UNLESS SPECIFIED OTHERWISE: All dimensions are in inches Standard Tolerances are as follows .XXX ±.005 ANGLES ±1° .XX ±.010 FILLETS .010 X ±.020 CORNERS .010 Remove All Burrs and Sharp Edges				MATERIAL		TITLE	
FINISH				DRAWN		DATE	
OOG				8-8-12		APPROVED	
OOG				MPW		8-8-12	
DWG #				REV		SHEET	
31-0368				---		1 of 2	
<p style="text-align: center;">H2W Technologies, Inc. 26470 Ruether Ave #102 Santa Clarita, CA 91350 USA Tel: (661) 251-2081 Fax: (661) 251-2067 www.h2wtech.com</p> <p style="text-align: center;">Voice Coil Positioning Stage Model #: VCS10-023-AB-01-M</p>							

VOICE COIL POSITIONING STAGE SPECIFICATIONS		
Motor P/N	NCC10-15-023-1X	
Stroke	1.00"	25.4 mm
Encoder Resolution	1 micron	
Bearing Type	Air Bushing	
Moving Mass	2.0 lbs	908 grams
Total Mass	3.87 lbs	1.76Kg
Resistance @ 20C	7.5 ohms	
Inductance @ 20C	3.3 mH	
Electrical Time Constant	0.44 msec	
Motor Constant	0.85 LBS/SQRT(Watt)	3.78 N/SQRT(Watt)
Force Constant	2.3 LBS/Amp	10.2 N/Amp
Back EMF	0.26 V/ips	10.2 V/m/sec
Continuous Force	2.3 LBS	10.2 N
Max Power @ 100% Duty	7 Watts	
Peak Force	6.9 LBS	30.7 N
Max Power @ 10% Duty	66 Watts	



TITLE	Voice Coil Positioning Stage	
	Model #: VCS10-023-AB-01-M	
DWG #	31-0368	REV ---
		SHEET 2 of 2