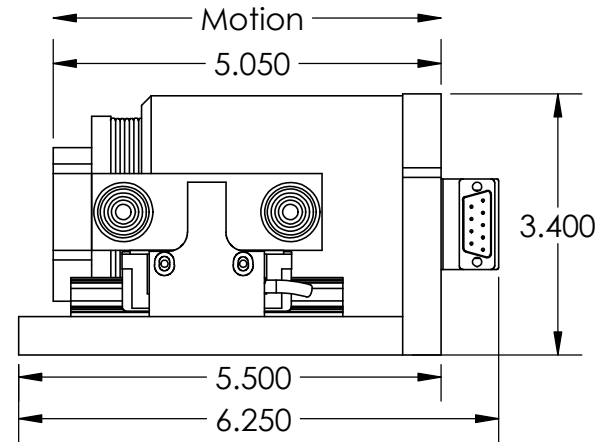
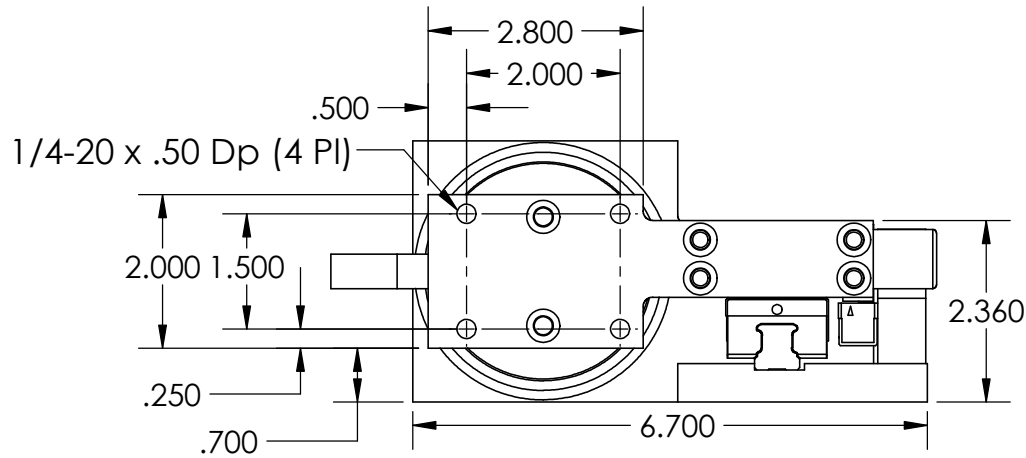
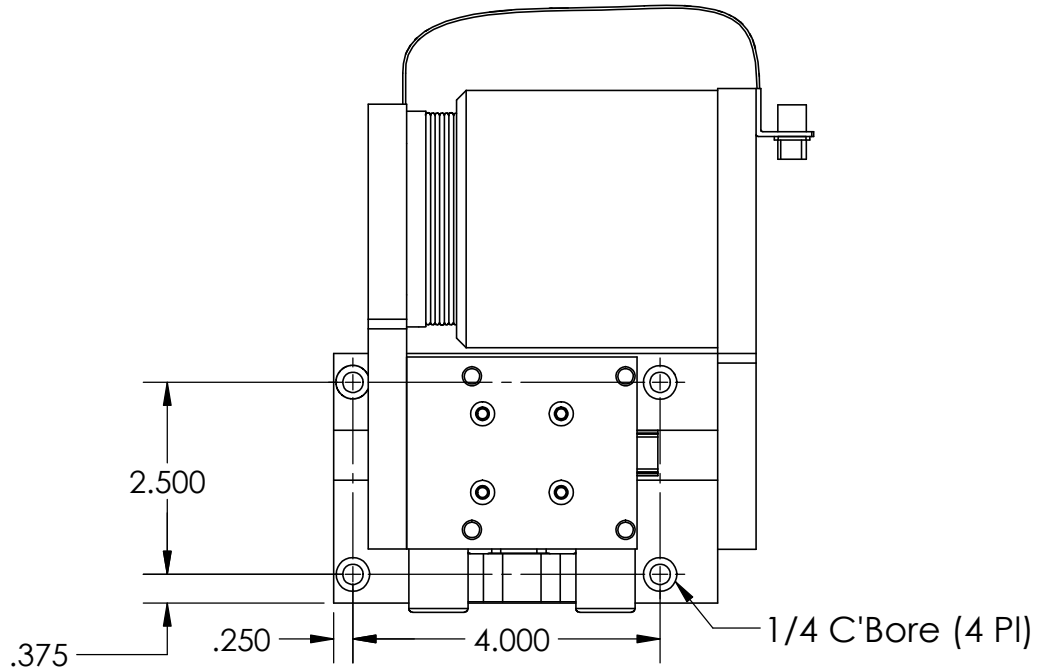
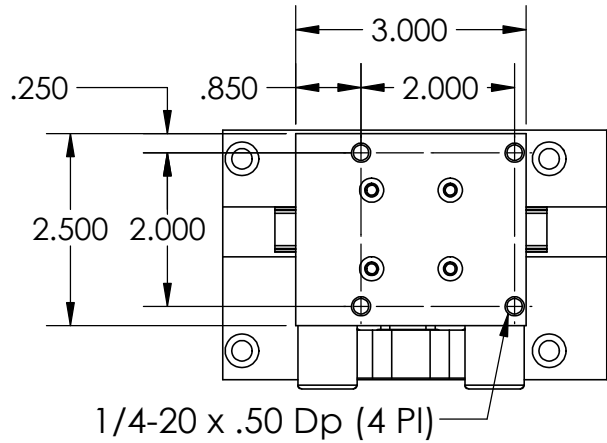


These drawings and specifications are the property of H2W Technologies, Inc. They are issued in confidence and shall not be reproduced, copied, or used without written permission from H2W Technologies, Inc. (www.h2wtech.com)

REVISION TABLE						
REV	ECN#	DESCRIPTION		REV BY	APPROVED	DATE
---	---	Original Drawing		OOG	MPW	3-1-13

PARTS HAVE BEEN HIDDEN TO SHOW MOUNTING HOLES



H2W Technologies, Inc.

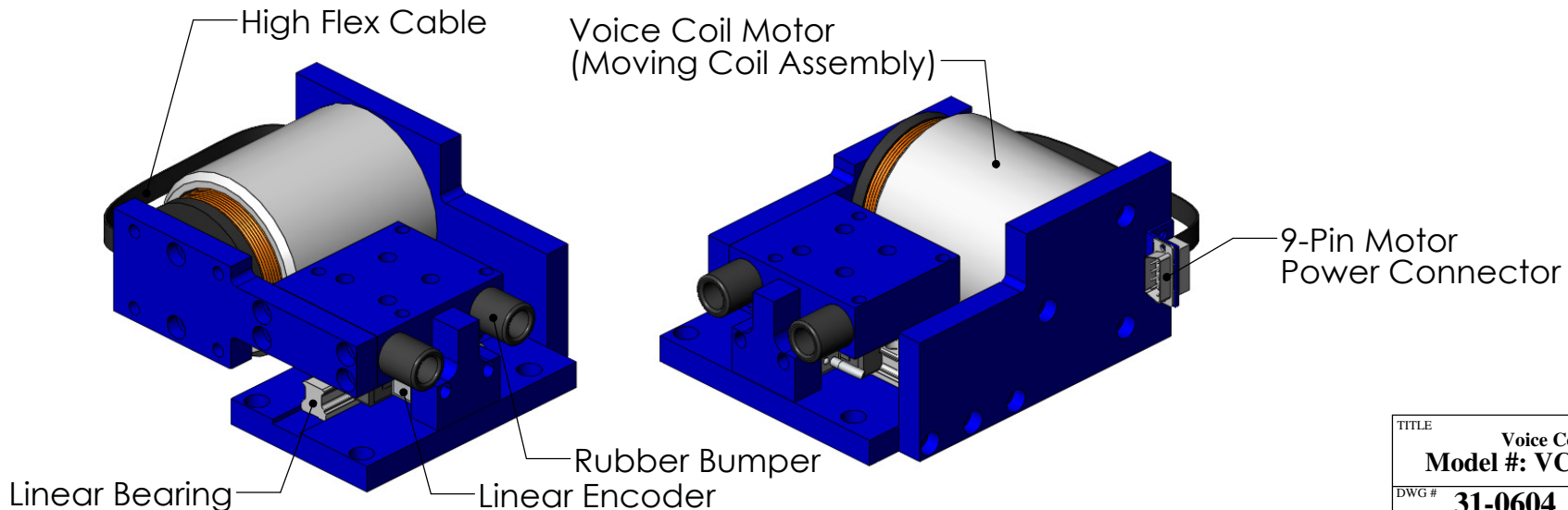
26470 Ruether Ave #102 Santa Clarita, CA 91350 USA
Tel: (661) 251-2081 Fax: (661) 251-2067
www.h2wtech.com

UNLESS SPECIFIED OTHERWISE:
All dimensions are in inches
Standard Tolerances are as follows
.XXX ±.005 ANGLES ±1°
.XX ±.010 FILLETS .010
.X ±.020 CORNERS .010
Remove All Burs and Sharp Edges

MATERIAL			
FINISH			
DRAWN	DATE	APPROVED	DATE
OOG	3-1-13	MPW	3-1-13

TITLE			
Voice Coil Positioning Stage Model #: VCS08-350-LB-01-MCS			
DWG #	REV	SHEET	
31-0604	---	1 of 2	

VOICE COIL POSITIONING STAGE SPECIFICATIONS		
Motor P/N	NCC08-34-350-2X	
Stroke	0.80"	20.3 mm
Encoder Resolution	1 micron	
Bearing Type	Linear Bearing	
Moving Mass	2.6 lbs	1.2 kg
Total Mass	11.0 lbs	5.0 kg
Resistance @ 20C	6.25 ohms	
Inductance @ 20C	5.0 mH	
Electrical Time Constant	0.80 msec	
Motor Constant	5.80 LBS/SQRT(Watt)	25.8 N/SQRT(Watt)
Force Constant	14.5 LBS/Amp	64.2 N/Amp
Back EMF	1.6 V/ips	64.2 V/m/sec
Force @ 100% Duty	35 LBS	156 N
Power @ 100% Duty	36 Watts	
Current @ 100% Duty	2.4 Amps	
Force @ 10% Duty	105 LBS	467 N
Power @ 10% Duty	330 Watts	
Current @ 10% Duty	7.3 Amps	



TITLE	Voice Coil Positioning Stage		
	Model #: VCS08-350-LB-01-MCS		
DWG #	31-0604	REV	---
		SHEET	2 of 2