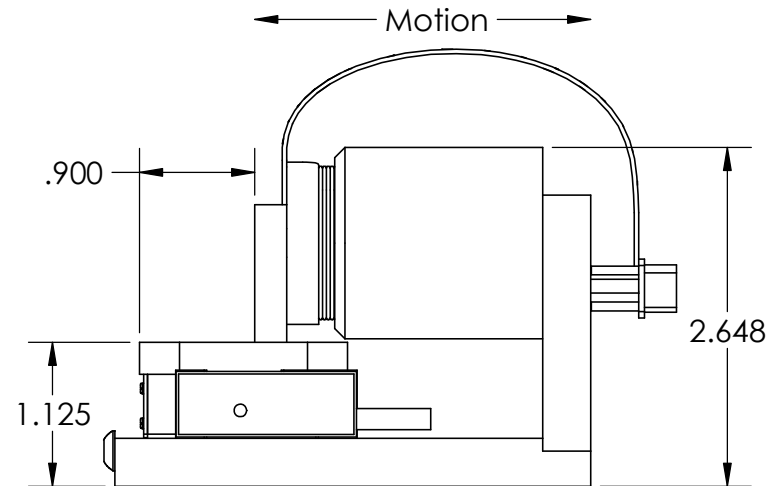
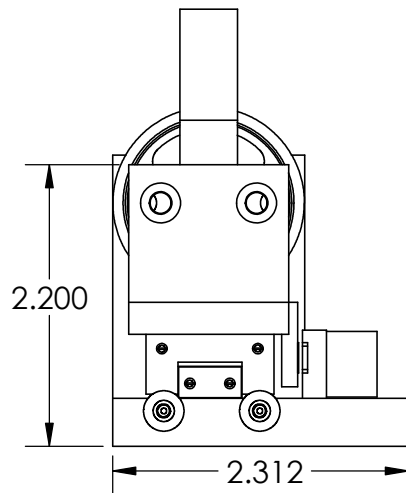
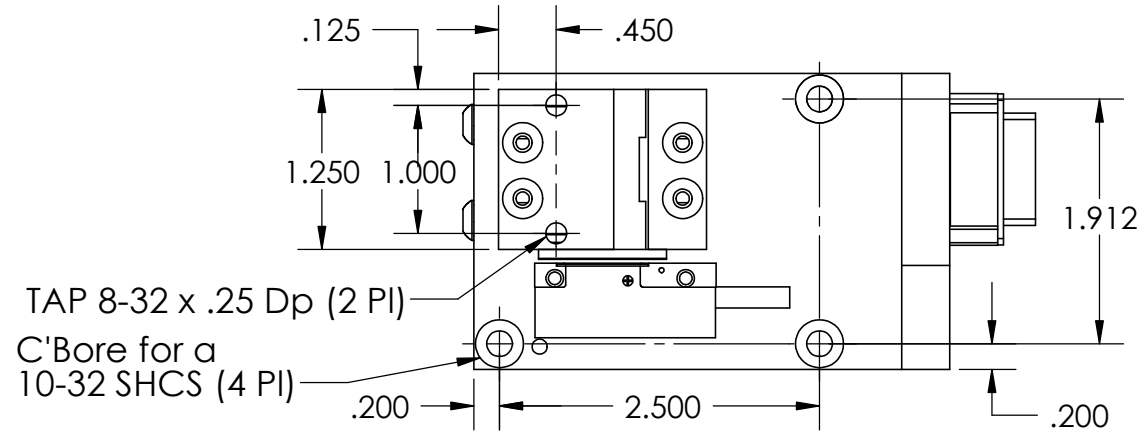


These drawings and specifications are the property of H2W Technologies, Inc. They are issued in confidence and shall not be reproduced, copied, or used without written permission from H2W Technologies, Inc. (www.h2wtech.com)

REVISION TABLE					
REV	ECN#	DESCRIPTION	REV BY	APPROVED	DATE
---	---	Original Drawing	OOG	MPW	9-15-15

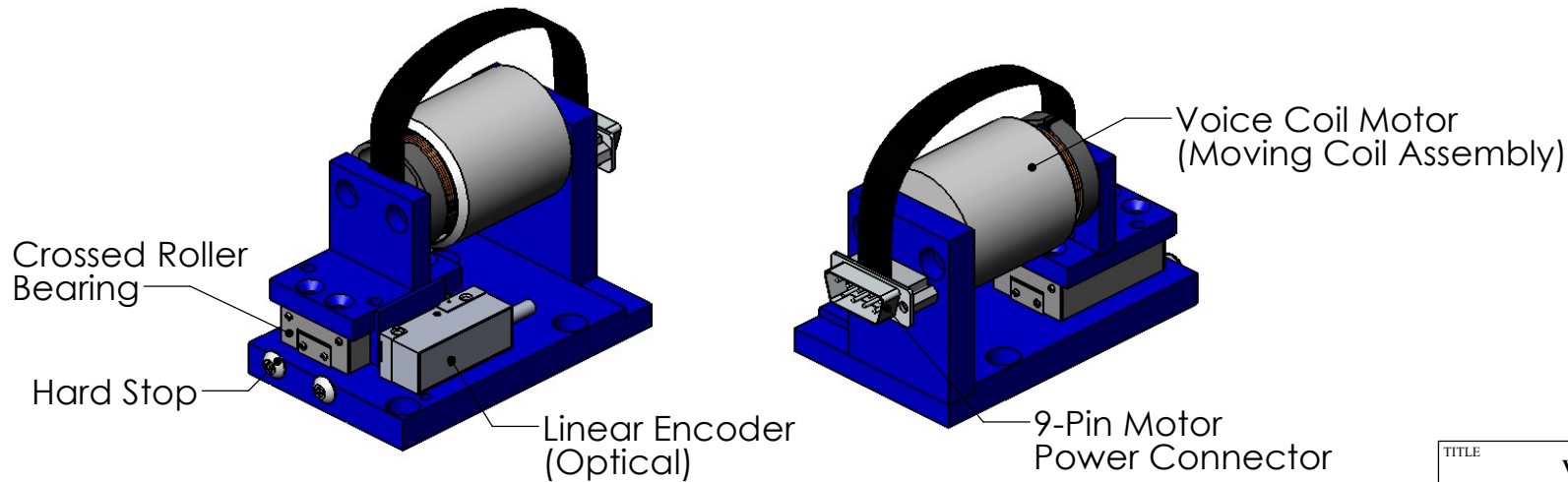
PARTS HAVE BEEN HIDDEN TO SHOW MOUNTING HOLES



H2W Technologies, Inc.
 26380 Ferry Court Santa Clarita, CA 91350 USA
 Tel: (661) 291-1620 Fax: (661) 291-1626
 www.h2wtech.com

UNLESS SPECIFIED OTHERWISE: All dimensions are in inches Standard Tolerances are as follows .XXX ±.005 ANGLES ±1° .XX ±.010 FILLETS .010 .X ±.020 CORNERS .010 Remove All Burs and Sharp Edges				MATERIAL		TITLE		DRAWN		DATE		APPROVED		DATE		DWG #		REV		SHEET	
						Voice Coil Positioning Stage Model #: VCS03-050-CR-0005-C		OOG		9-15-15		MPW		9-15-15		31-0742		---		1 of 2	

VOICE COIL POSITIONING STAGE SPECIFICATIONS		
Motor P/N	NCC03-15-050-2X	
Stroke	0.25"	6.4 mm
Encoder Resolution	50 nm	
Encoder Type	Optical	
Bearing Type	Crossed Roller	
Moving Part	Coil Assembly	
Moving Mass	0.27 lbs	122 grams
Total Mass	1.41 lbs	640 grams
Resistance @ 20C	3.8 ohms	
Inductance @ 20C	1.3 mH	
Electrical Time Constant	0.35 msec	
Motor Constant	1.4 LBS/SQRT(Watt)	2.98 N/SQRT(Watt)
Force Constant	1.2 lbs/Amp	6.1 N/Amp
Back EMF	0.30 V/ips	11.9 V/m/sec
Force @ 100% Duty	5.0 lbs	22.3 N
Power @ 100% Duty	13.0 watts	
Current @ 100% Duty	1.9 Amps	
Force @ 10% Duty	15.0 lbs	66.8 N
Power @ 10% Duty	118 watts	
Current @ 10% Duty	5.6 Amps	



TITLE		
Voice Coil Positioning Stage		
Model #: VCS03-050-CR-0005-C		
DWG #	REV	SHEET
31-0742	---	2 of 2