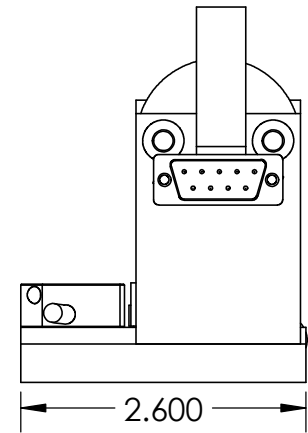
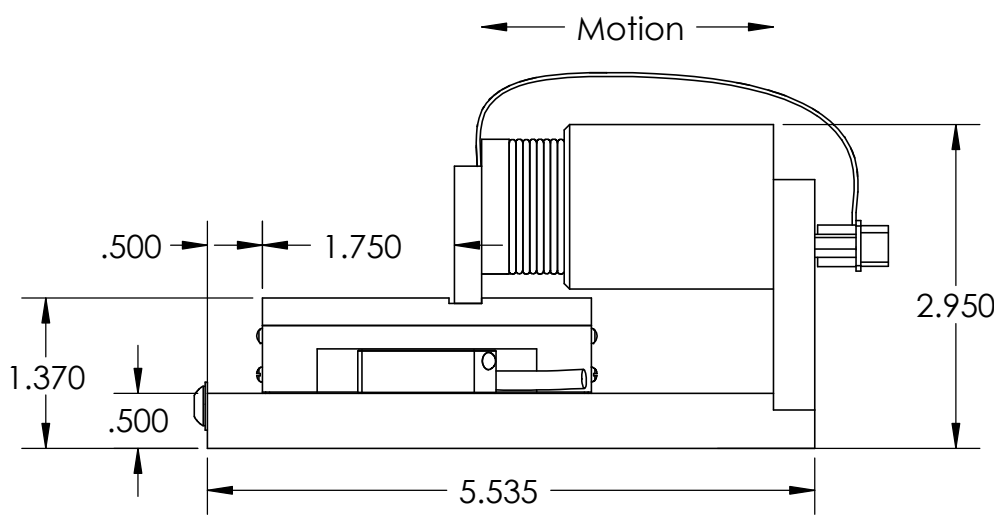
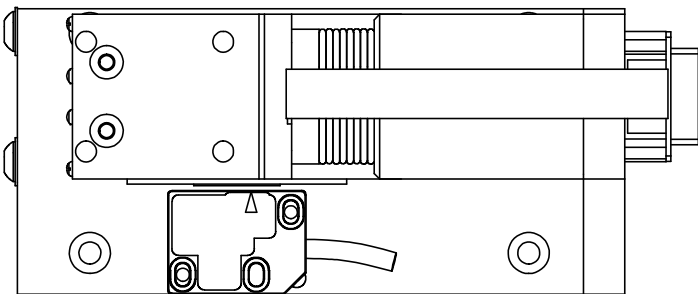


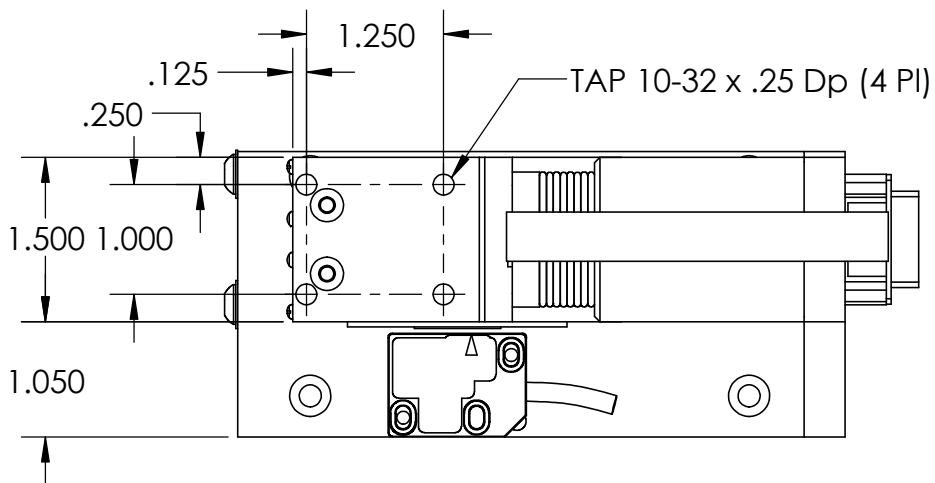
REVISION TABLE					
REV	ECN#	DESCRIPTION	REV BY	APPROVED	DATE
---	---	Original Drawing	OOG	MPW	4-15-18



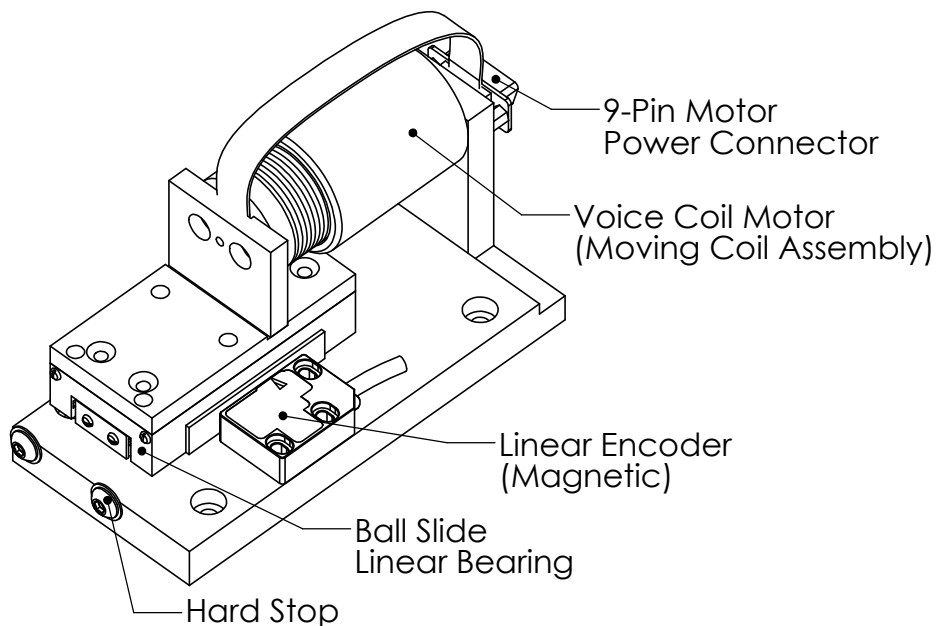
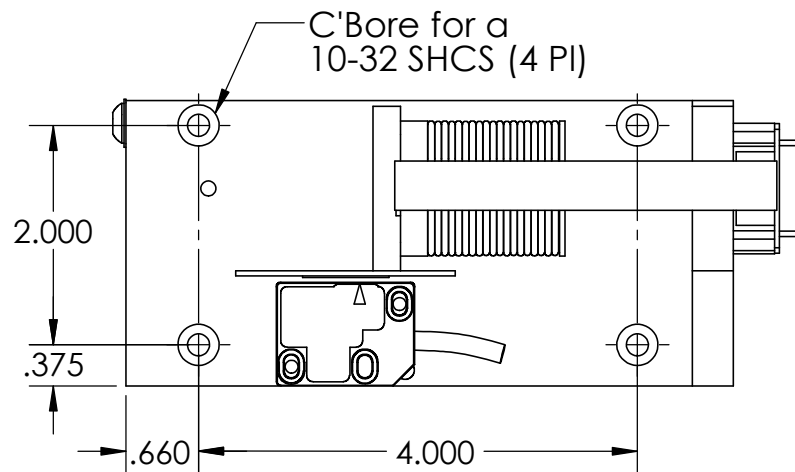
MOTOR SHOWN AT MID-STROKE

MOUNTING FEATURES

PAYLOAD MOUNTING HOLES



PARTS HAVE BEEN HIDDEN TO SHOW STAGE MOUNTING HOLES



MOTOR SHOWN AT MID-STROKE



H2W Technologies, Inc.
 Santa Clarita, CA 91350 USA
 Tel: (661) 291-1620
www.h2wtech.com

These drawings and specifications are the property of H2W Technologies, Inc. They are issued in confidence and shall not be reproduced, copied, or used without written permission from H2W Technologies, Inc.

UNLESS SPECIFIED OTHERWISE:
 All dimensions are in inches
 Standard Tolerances are as follows
 .XXX ±.005 ANGLES ±.1°
 .XX ±.010 FILLETS .010
 .X ±.020 CORNERS .010
 Remove All Burrs and Sharp Edges

**FOR
 REFERENCE
 ONLY**

MATERIAL
 FINISH
 Anodize Blue

TITLE
 Voice Coil Positioning Stage Model #:
VCS10-023-BS-005-MC-20

DWG # **31-0850**
 REV ----
 DATE 4-15-18 SHEET 2 of 3

1

2

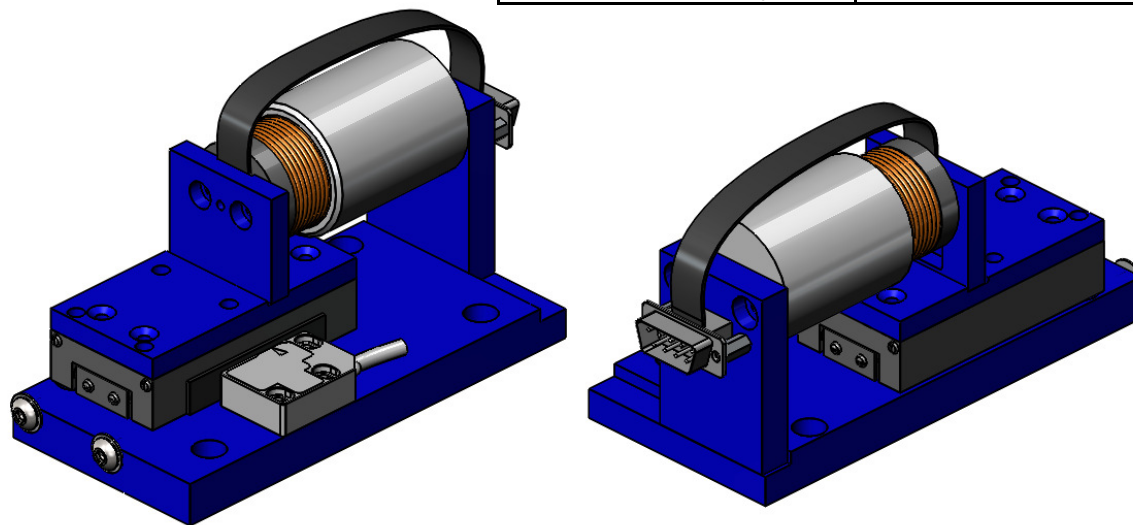
3

4

5

VOICE COIL POSITIONING STAGE SPECIFICATIONS

Motor P/N	NCC10-15-023-1X	
Stroke	1.00"	25.4 mm
Encoder Resolution	2096 Interpolation Factor / $\pm 20 \mu\text{m}$ Accuracy Grade	
Encoder Type	Magnetic	
Bearing Type	Ball Slide	
Moving Part	Coil Assembly	
Moving Mass	0.20 lbs	92 grams
Total Mass	1.40 lbs	632 grams
Resistance @ 20C	7.50 ohms	
Inductance @ 20C	3.3 mH	
Electrical Time Constant	0.44 msec	
Motor Constant	0.85 LBS/SQRT(Watt)	3.78 N/SQRT(Watt)
Force Constant	2.3 lbs/Amp	10.2 N/Amp
Back EMF	0.26 V/ips	10.2 V/m/sec
Force @ 100% Duty	2.3 lbs	10.2 N
Power @ 100% Duty	7 watts	
Current @ 100% Duty	1.0 Amps	
Force @ 10% Duty	6.9 lbs	30.7 N
Power @ 10% Duty	66 watts	
Current @ 10% Duty	3.0 Amps	



H2W Technologies, Inc.
 Santa Clarita, CA 91350 USA
 Tel: (661) 291-1620
www.h2wtech.com

These drawings and specifications are the property of H2W Technologies, Inc. They are issued in confidence and shall not be reproduced, copied, or used without written permission from H2W Technologies, Inc.

UNLESS SPECIFIED OTHERWISE:
 All dimensions are in inches
 Standard Tolerances are as follows
 .XXX \pm .005 ANGLES \pm .1°
 .XX \pm .010 FILLETS .010
 .X \pm .020 CORNERS .010
 Remove All Burrs and Sharp Edges

**FOR
 REFERENCE
 ONLY**

MATERIAL

FINISH

Anodize Blue

TITLE
 Voice Coil Positioning Stage Model #:
VCS10-023-BS-005-MC-20

DWG # **31-0850**

REV ----

DATE 4-15-18 SHEET 3 of 3