

1

2

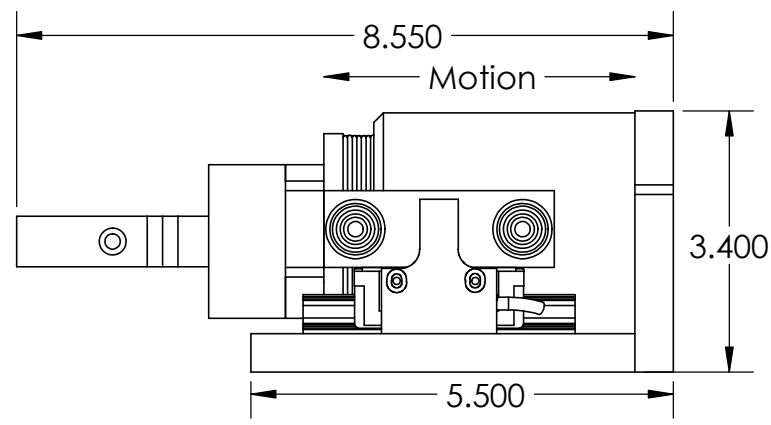
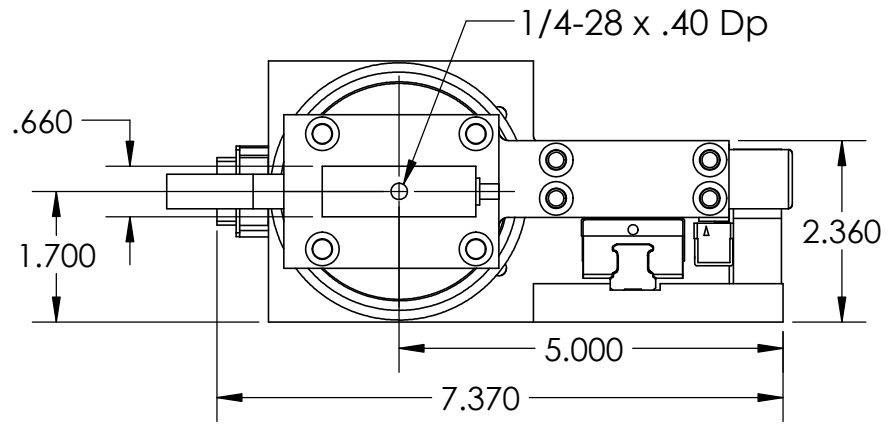
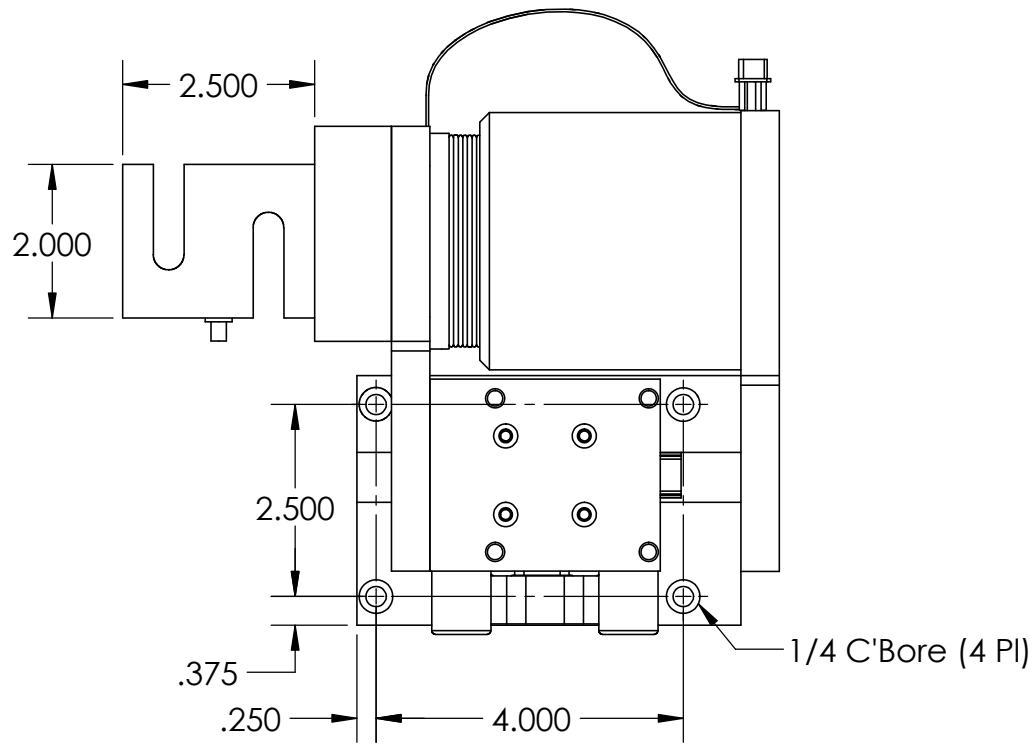
3

4

5

REVISION TABLE

REV	ECN#	DESCRIPTION	REV BY	APPROVED	DATE
---	---	Original Drawing	OOG	MPW	11-9-2020



1

2

3

4

5

A

A

B

B

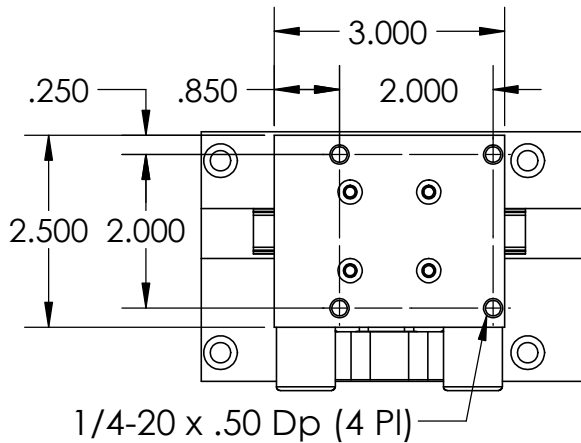
C

C

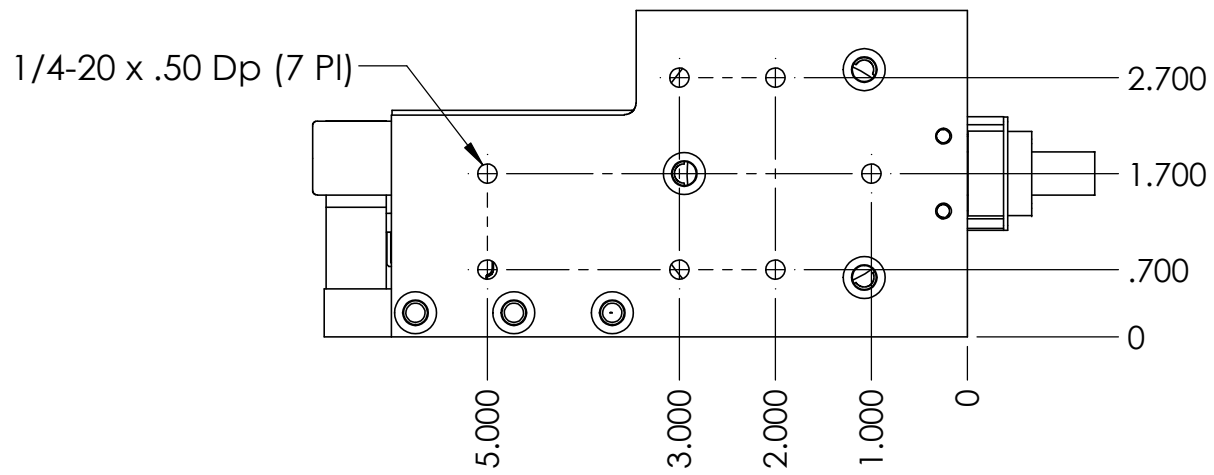
D

D

PARTS HAVE BEEN HIDDEN TO SHOW PAYLOAD MOUNTING HOLES



STAGE MOUNTING HOLES (CUSTOMER SPECIFIED)



1

2

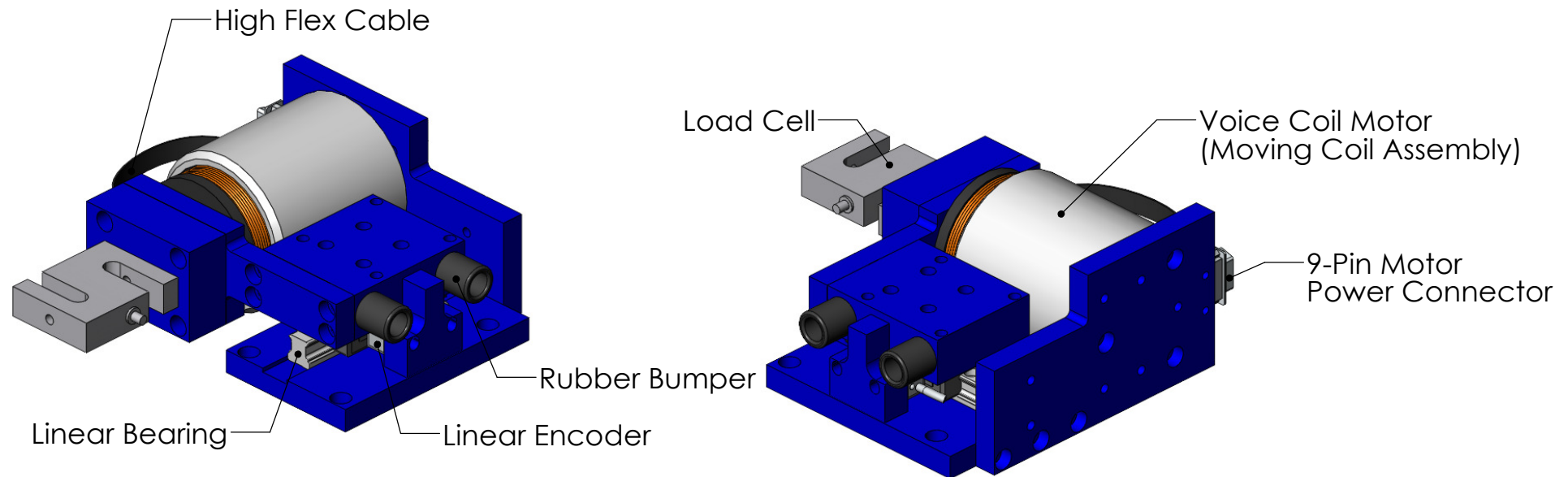
3

4

5

VOICE COIL POSITIONING STAGE SPECIFICATIONS

Motor P/N	NCC08-34-350-2X	
Stroke	0.80"	20.3 mm
Encoder Resolution	1 micron	
Load Cell Capacity	200 lbs	
Bearing Type	Linear Bearing	
Moving Mass	2.6 lbs	1.2 kg
Total Mass	11.0 lbs	5.0 kg
Resistance @ 20C	6.25 ohms	
Inductance @ 20C	5.0 mH	
Electrical Time Constant	0.80 msec	
Motor Constant	5.80 LBS/SQRT(Watt)	25.8 N/SQRT(Watt)
Force Constant	14.5 LBS/Amp	64.2 N/Amp
Back EMF	1.6 V/ips	64.2 V/m/sec
Force @ 100% Duty	35 LBS	156 N
Power @ 100% Duty	36 Watts	
Current @ 100% Duty	2.4 Amps	
Force @ 10% Duty	105 LBS	467 N
Power @ 10% Duty	330 Watts	
Current @ 10% Duty	7.3 Amps	



H2W Technologies, Inc.
 Santa Clarita, CA 91350 USA
 Tel: (661) 291-1620
www.h2wtech.com

These drawings and specifications are the property of H2W Technologies, Inc. They are issued in confidence and shall not be reproduced, copied, or used without written permission from H2W Technologies, Inc.

UNLESS SPECIFIED OTHERWISE:
 All dimensions are in inches
 Standard Tolerances are as follows
 .XX ±.005 ANGLES ±.1°
 .XX ±.010 FILLETS .010
 .X ±.020 CORNERS .010
 Remove All Burrs and Sharp Edges

**FOR
 REFERENCE
 ONLY**

MATERIAL
 FINISH

TITLE

**Voice Coil Positioning Stage
 Model #: VCS08-350-LB-01-MC-F**

DWG # **31-0877**

REV ----

DATE 11-9-2020 SHEET 3 of 3