

1

2

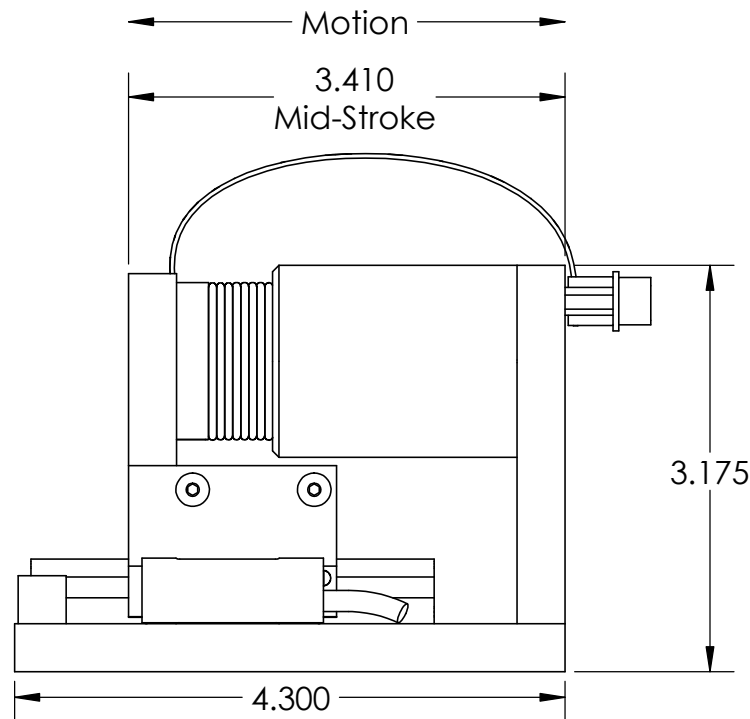
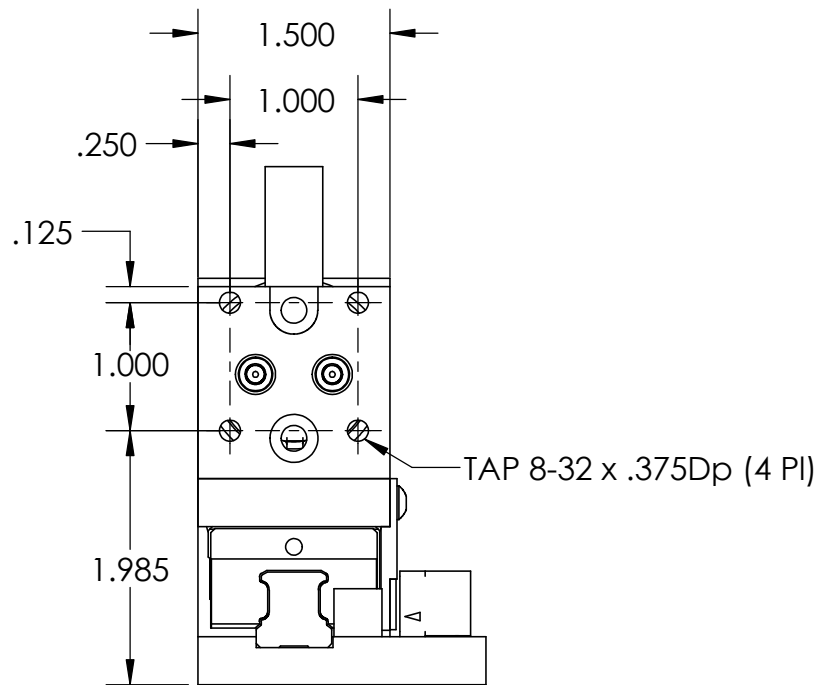
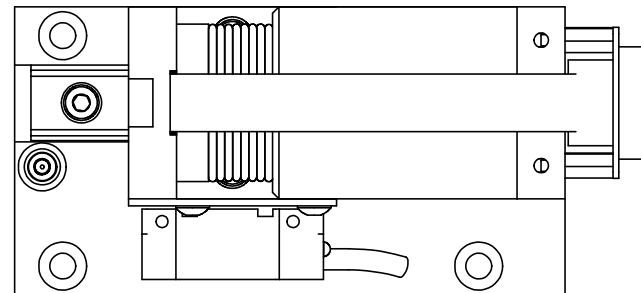
3

4

5

REVISION TABLE

REV	ECN#	DESCRIPTION	REV BY	APPROVED	DATE
---	---	Original Drawing	OOG	MPW	6-15-2023



A

A

B

B

C

C

D

D



**H2W Technologies, Inc.**  
 Santa Clarita, CA 91350 USA  
 Tel: (661) 291-1620  
[www.h2wtech.com](http://www.h2wtech.com)

These drawings and specifications are the property of H2W Technologies, Inc. They are issued in confidence and shall not be reproduced, copied, or used without written permission from H2W Technologies, Inc.

UNLESS SPECIFIED OTHERWISE:  
 All dimensions are in inches  
 Standard Tolerances are as follows  
 .XXX ±.005 ANGLES ±.1°  
 .XX ±.010 FILLETS .010  
 .X ±.020 CORNERS .010  
 Remove All Burrs and Sharp Edges

**FOR  
 REFERENCE  
 ONLY**

MATERIAL  
 FINISH

TITLE

**Voice Coil Positioning Stage  
 Model #: VCS10-023-LB-01-MC**

DWG # **31-0920**  
 REV ----  
 DATE 6-15-23 SHEET 1 of 3

1

2

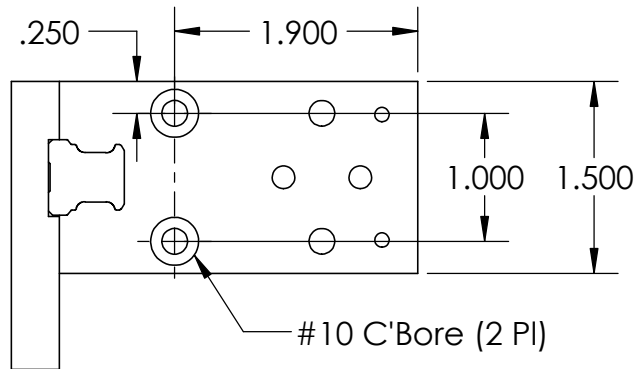
3

4

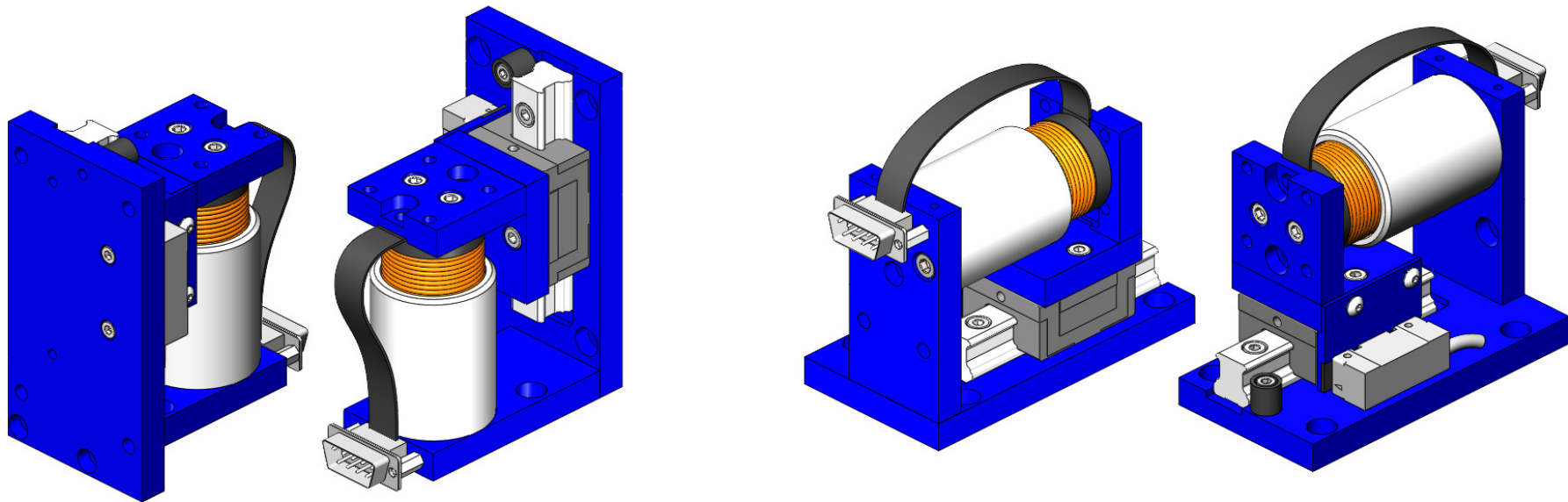
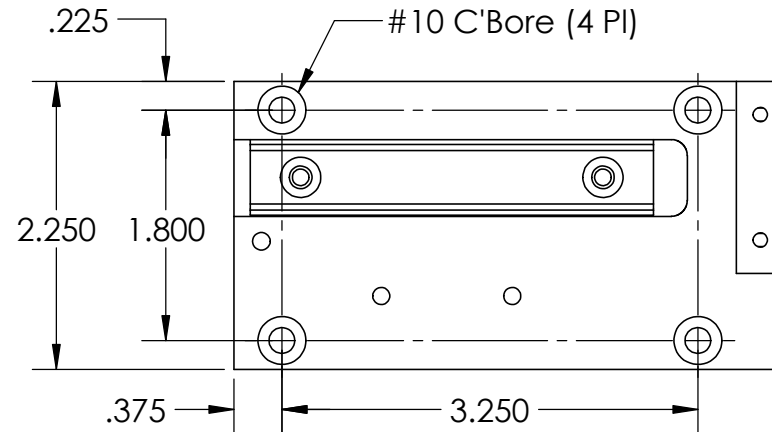
5

PARTS HAVE BEEN HIDDEN TO SHOW MOUNTING HOLES

Vertical Mounting



Horizontal Mounting



**H2W Technologies, Inc.**  
 Santa Clarita, CA 91350 USA  
 Tel: (661) 291-1620  
[www.h2wtech.com](http://www.h2wtech.com)

These drawings and specifications are the property of H2W Technologies, Inc. They are issued in confidence and shall not be reproduced, copied, or used without written permission from H2W Technologies, Inc.

UNLESS SPECIFIED OTHERWISE:  
 All dimensions are in inches  
 Standard Tolerances are as follows  
 .XXX ±.005 ANGLES ±.1°  
 .XX ±.010 FILLETS .010  
 .X ±.020 CORNERS .010  
 Remove All Burrs and Sharp Edges

**FOR  
 REFERENCE  
 ONLY**

MATERIAL  
 FINISH

TITLE

**Voice Coil Positioning Stage  
 Model #: VCS10-023-LB-01-MC**

DWG # **31-0920**  
 REV ----  
 DATE 6-15-23 SHEET 2 of 3

1

2

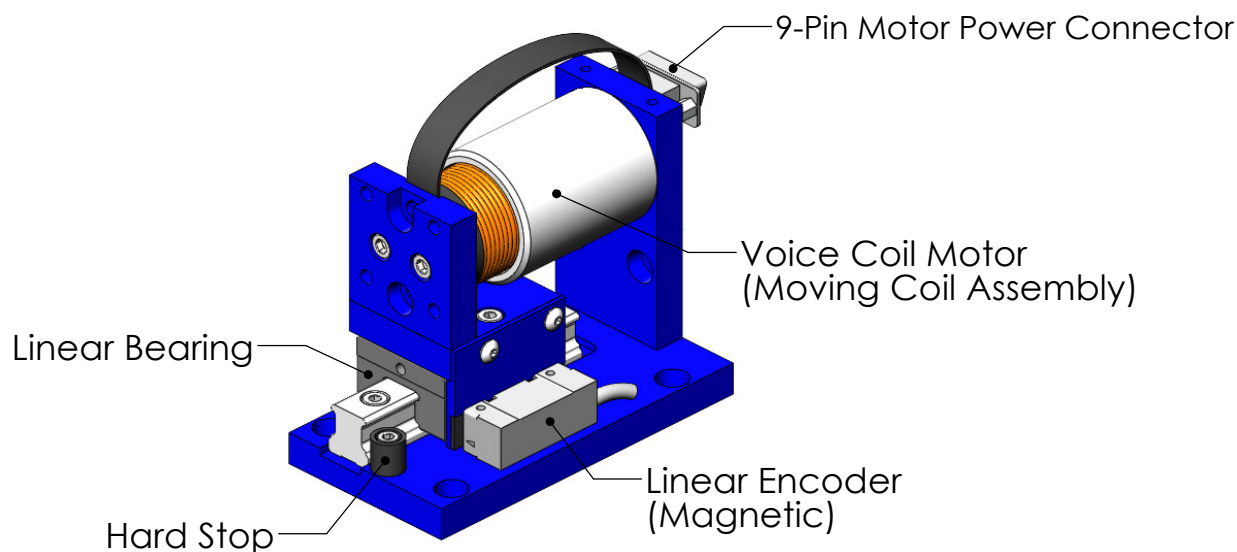
3

4

5

### VOICE COIL POSITIONING STAGE SPECIFICATIONS

Motor P/N	NCC10-15-023-1X	
Stroke	1.0"	25.4 mm
Encoder Resolution	1.0 micron	
Encoder Type	Magetic	
Bearing Type	Linear Bearing	
Moving Part	Coil Assembly	
Moving Mass	0.35 lbs	160 grams
Total Mass	2.20 lbs	1000 grams
Resistance @ 20C	7.5 ohms	
Inductance @ 20C	3.3 mH	
Electrical Time Constant	0.44 msec	
Motor Constant	0.85 LBS/SQRT(Watt)	3.8 N/SQRT(Watt)
Force Constant	2.3 lbs/Amp	10.2 N/Amp
Back EMF	0.26 V/ips	10.2 V/m/sec
Force @ 100% Duty	2.3 lbs	10.5 N
Power @ 100% Duty	7.0 watts	
Current @ 100% Duty	1.0 Amps	
Force @ 10% Duty	6.9 lbs	30.7 N
Power @ 10% Duty	66 watts	
Current @ 10% Duty	3.0 Amps	



A

A

B

B

C

C

D

D



**H2W Technologies, Inc.**  
 Santa Clarita, CA 91350 USA  
 Tel: (661) 291-1620  
[www.h2wtech.com](http://www.h2wtech.com)

These drawings and specifications are the property of H2W Technologies, Inc. They are issued in confidence and shall not be reproduced, copied, or used without written permission from H2W Technologies, Inc.

UNLESS SPECIFIED OTHERWISE:  
 All dimensions are in inches  
 Standard Tolerances are as follows  
 .XXX ±.005 ANGLES ±.1°  
 .XX ±.010 FILLETS .010  
 .X ±.020 CORNERS .010  
 Remove All Burrs and Sharp Edges

**FOR  
 REFERENCE  
 ONLY**

MATERIAL

FINISH

TITLE

**Voice Coil Positioning Stage  
 Model #: VCS10-023-LB-01-MC**

DWG # **31-0926**

REV ----

DATE 6-15-23 SHEET 3 of 3