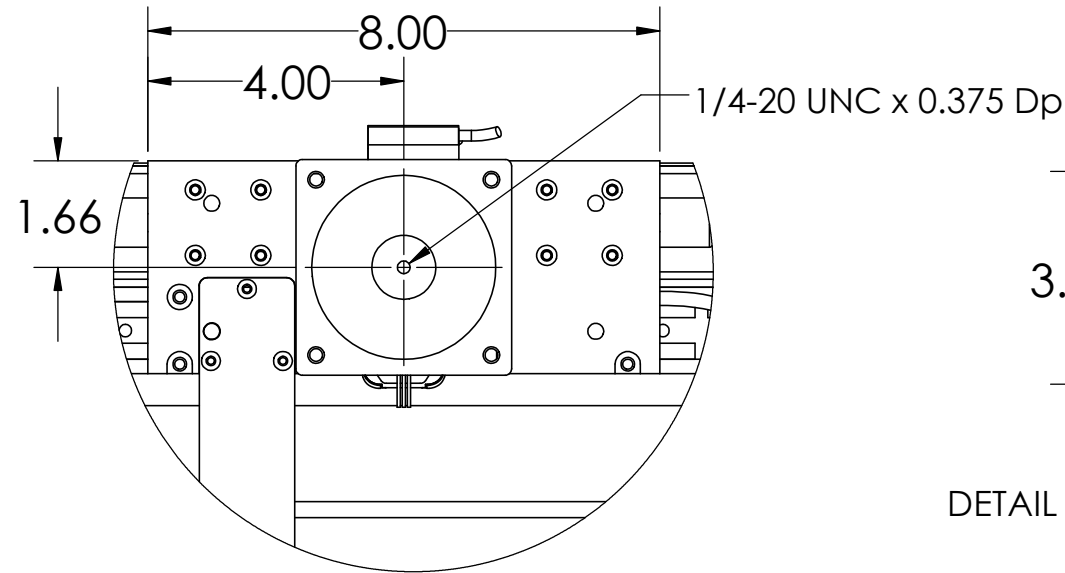


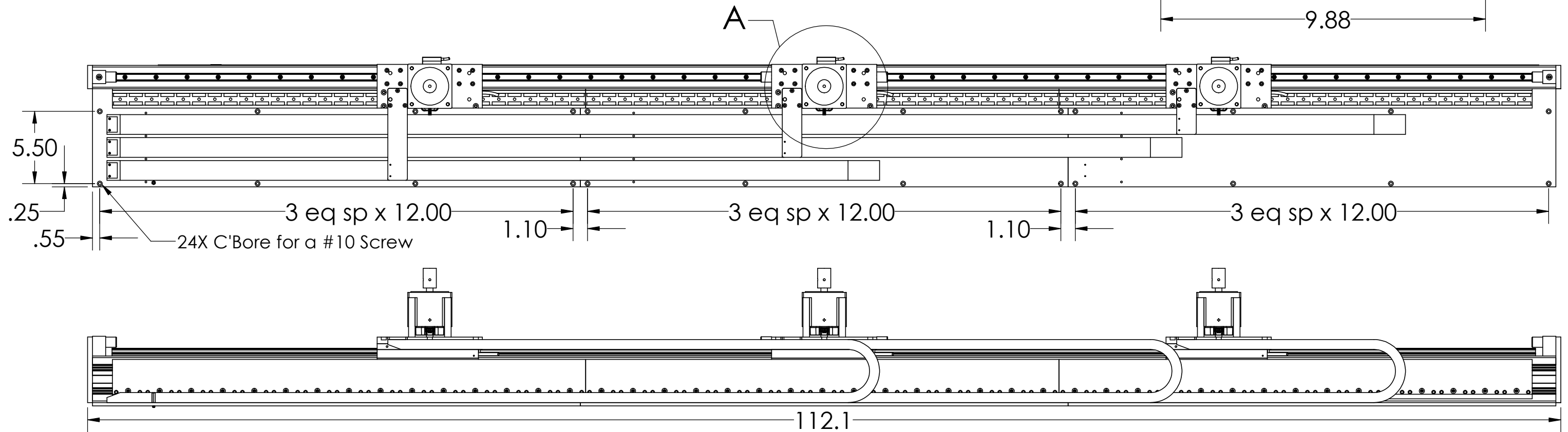
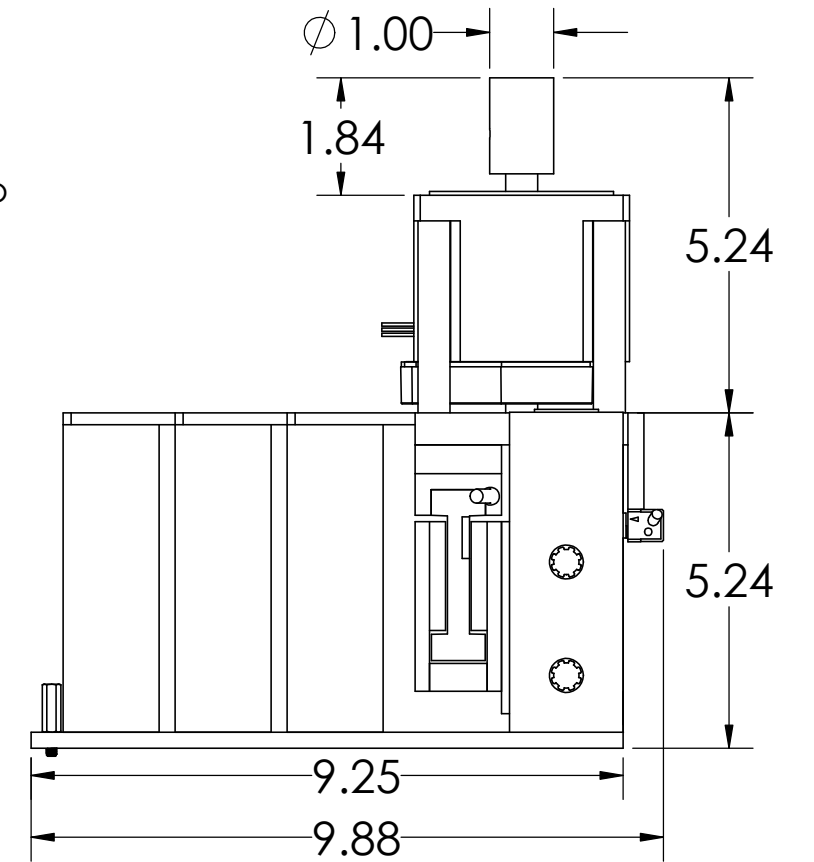
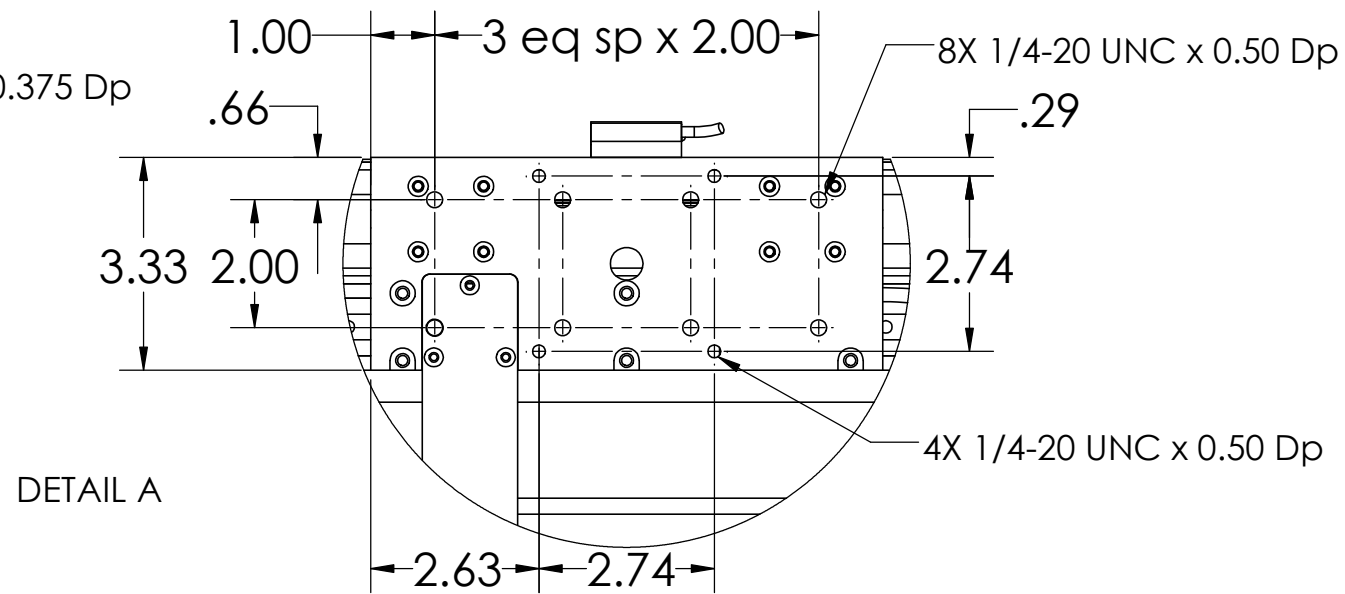
These drawings and specifications are the property of H2W Technologies, Inc. They are issued in confidence and shall not be reproduced, copied, or used without written permission from H2W Technologies, Inc.

REVISION TABLE						
REV	ECN#	DESCRIPTION	REV BY	APPROVED	DATE	
---	---	Original Drawing	OOG	MPW	7-1-16	

SHOWN WIHT ROTARY MOTOR MOUNTED TO MOVING TABLE



MOVING TABLE MOUNTING HOLES



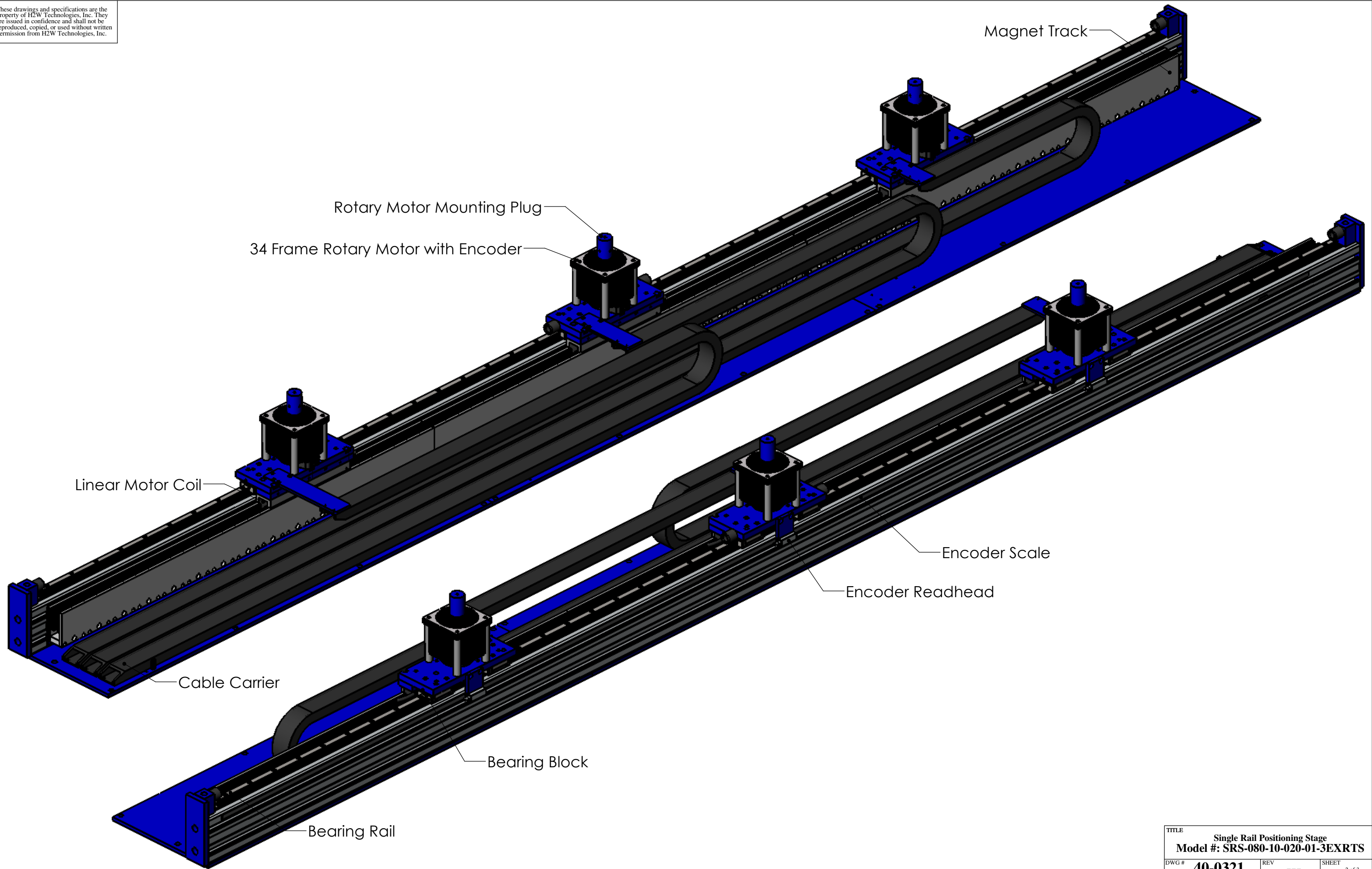
UNLESS SPECIFIED OTHERWISE:  
All dimensions are in inches  
Standard Tolerances are as follows  
.XXX ±.005 ANGLES ±1°  
.XX ±.010 FILLETS AND  
.X ±.020 CORNERS .010  
Remove All Burrs and Sharp Edges

MATERIAL	Aluminum 6061-T6	
FINISH	Anodize Black	
DRAWN	DATE	APPROVED
OOG	7-1-16	MPW
	DATE	DATE
	7-1-16	7-1-16

**H2W Technologies, Inc.**  
26380 Ferry Court Santa Clarita, CA 91350 USA  
Tel: (661) 291-1620 Fax: (661) 291-1626  
www.h2wtech.com

TITLE	Single Rail Positioning Stage Model #: SRS-080-10-020-01-3EXRTS		
DWG #	REV	SHEET	
40-0321	---	1 of 3	

These drawings and specifications are the property of H2W Technologies, Inc. They are issued in confidence and shall not be reproduced, copied, or used without written permission from H2W Technologies, Inc.



TITLE			
Single Rail Positioning Stage			
Model #: SRS-080-10-020-01-3EXRTS			
DWG #	REV	SHEET	2 of 3
40-0321	---		

### SINGLE RAIL POSITIONING STAGE SPECIFICATIONS

Motor P/N	BLDM-D06	
Stroke	82 in	2083 mm
Encoder Resolution	1 micron	
Bearing Type	Recirculating Ball	
Moving Mass (w/o Rotary)	5.00 lbs	2.3 kg
Moving Mass (w/ Rotary)	9.50 lbs	4.3 kg
Total Mass (w/o Rotary)	135 lbs	61.0 kg
Total Mass (w/ Rotary)	155 lbs	70.1 kg
Resistance @ 20C	27.3 ohms	
Inductance @ 20C	48.3 mH	
Electrical Time Constant	1.3 msec	
Motor Constant	3.2 LBS/SQRT(Watt)	14.2 N/SQRT(Watt)
Force Constant	16.7 LBS/Amp	74.4 N/Amp
Back EMF	1.9 V/ips	47.4 V/m/sec
Force @ 100% Duty	24.8 lbs	110 N
Power @ 100% Duty	77.6 watts	
Current @ 100% Duty	1.5 amps	
Force @ 10% Duty	74.5 lbs	331 N
Power @ 10% Duty	698 watts	
Current @ 10% Duty	4.4 amps	
Stage Length	112.10 in	2847 mm
Stage Width	9.00 in	229 mm
Stage Height	5.24 in	133 mm

**NOTES:**

- Motor Specs are per individual moving linear motor coil slide