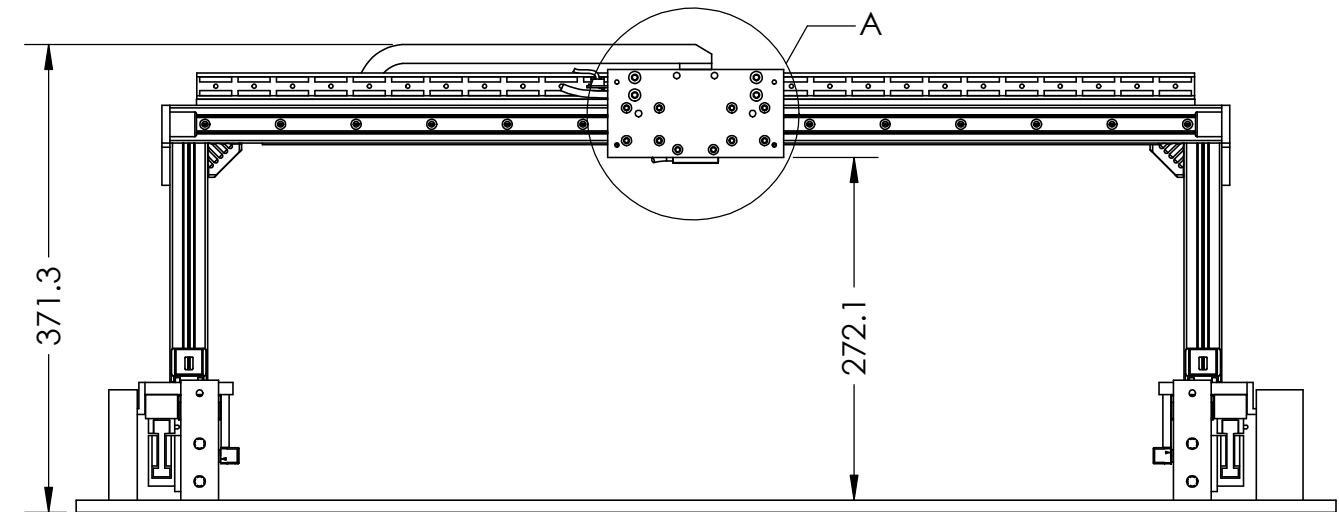
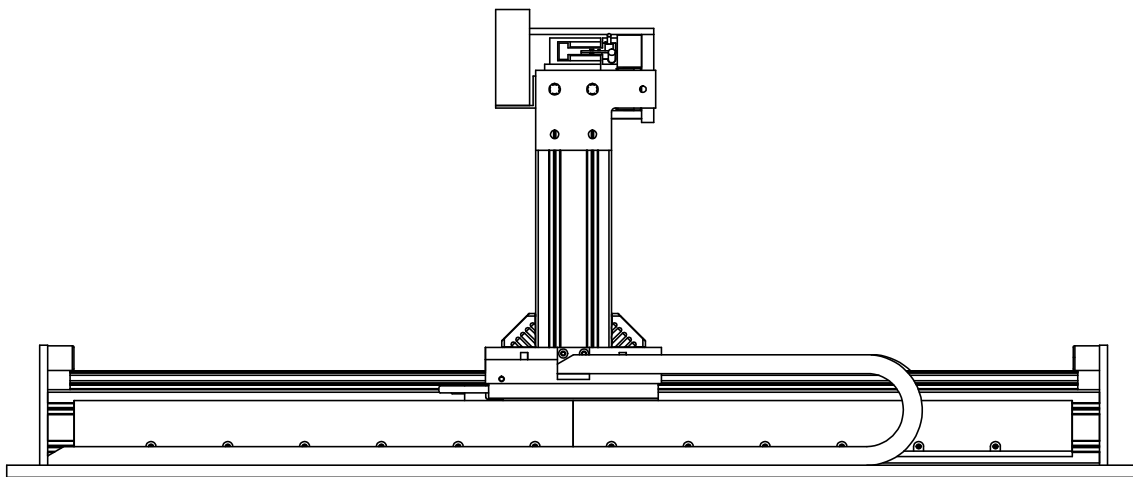
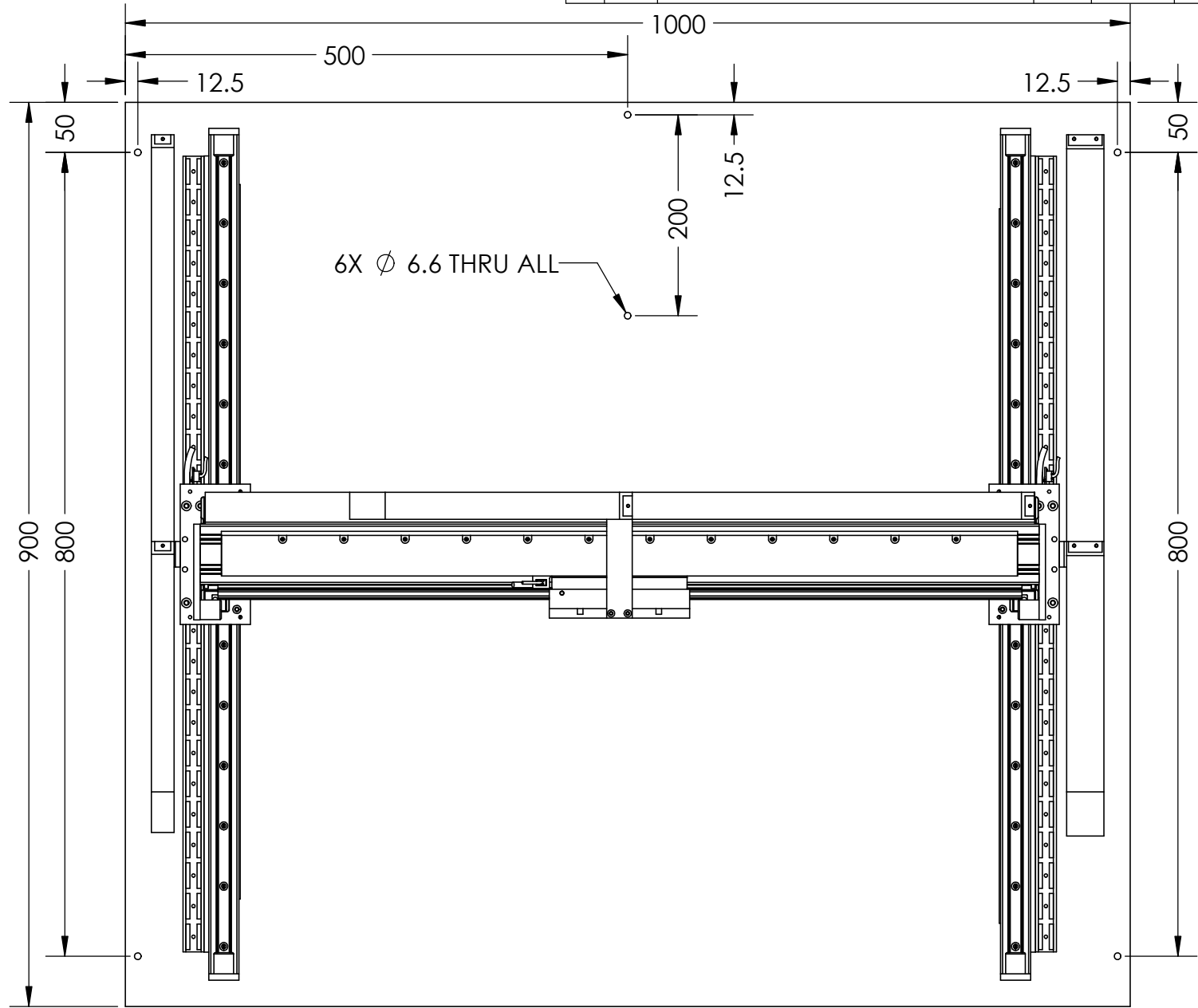
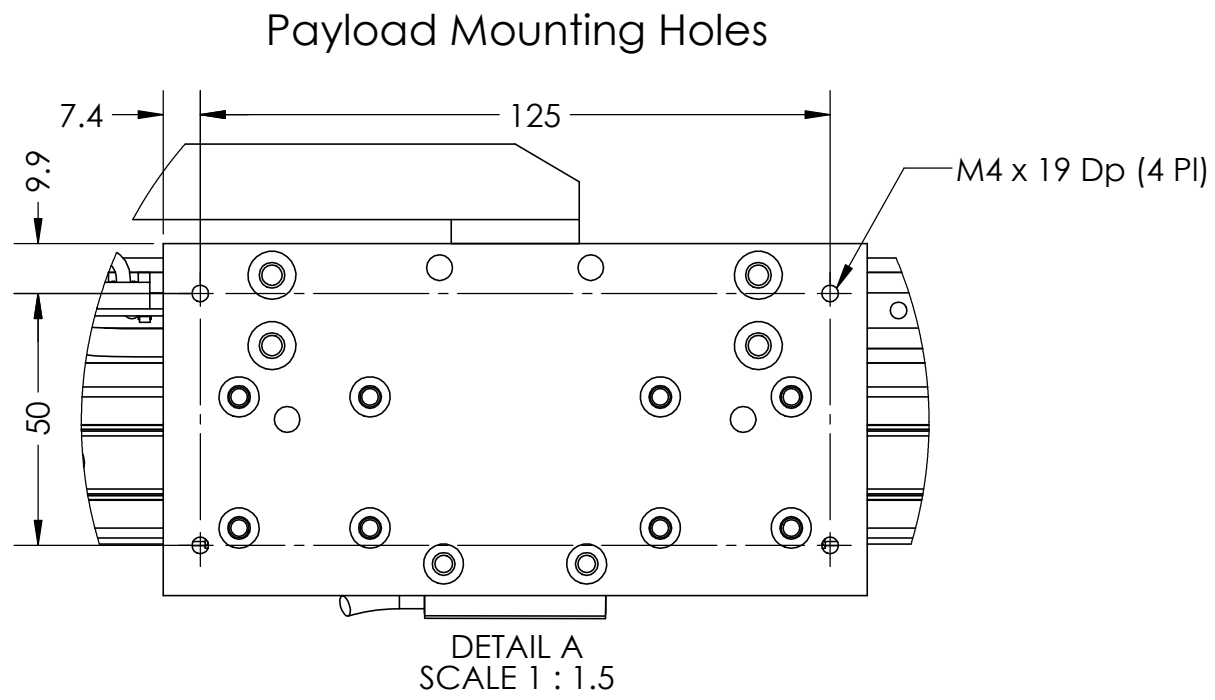


REVISION TABLE					
REV	ECN#	DESCRIPTION	REV BY	APPROVED	DATE
---	---	Original Drawing	OOG	MPW	2-1-17



H2W Technologies, Inc.
Santa Clarita, CA 91350 USA
Tel: (661) 291-1620
www.h2wtech.com

These drawings and specifications are the property of H2W Technologies, Inc. They are issued in confidence and shall not be reproduced, copied, or used without written permission from H2W Technologies, Inc.

UNLESS SPECIFIED OTHERWISE:
All dimensions are in mm
Standard Tolerances are as follows
.XXX ±.005 ANGLES ±.1°
.XX ±.010 FILLETS .010
.X ±.020 CORNERS .010
Remove All Burrs and Sharp Edges

RELEASED FOR MANUFACTURING
[Signature]
3-20-17

MATERIAL
FINISH
Anodize Blue

TITLE
Single Rail Positioning Stage "H" Gantry

DWG # **40-0352**
REV
DATE **2-1-17** SHEET **1 of 3**

1

2

3

4

5

A

A

B

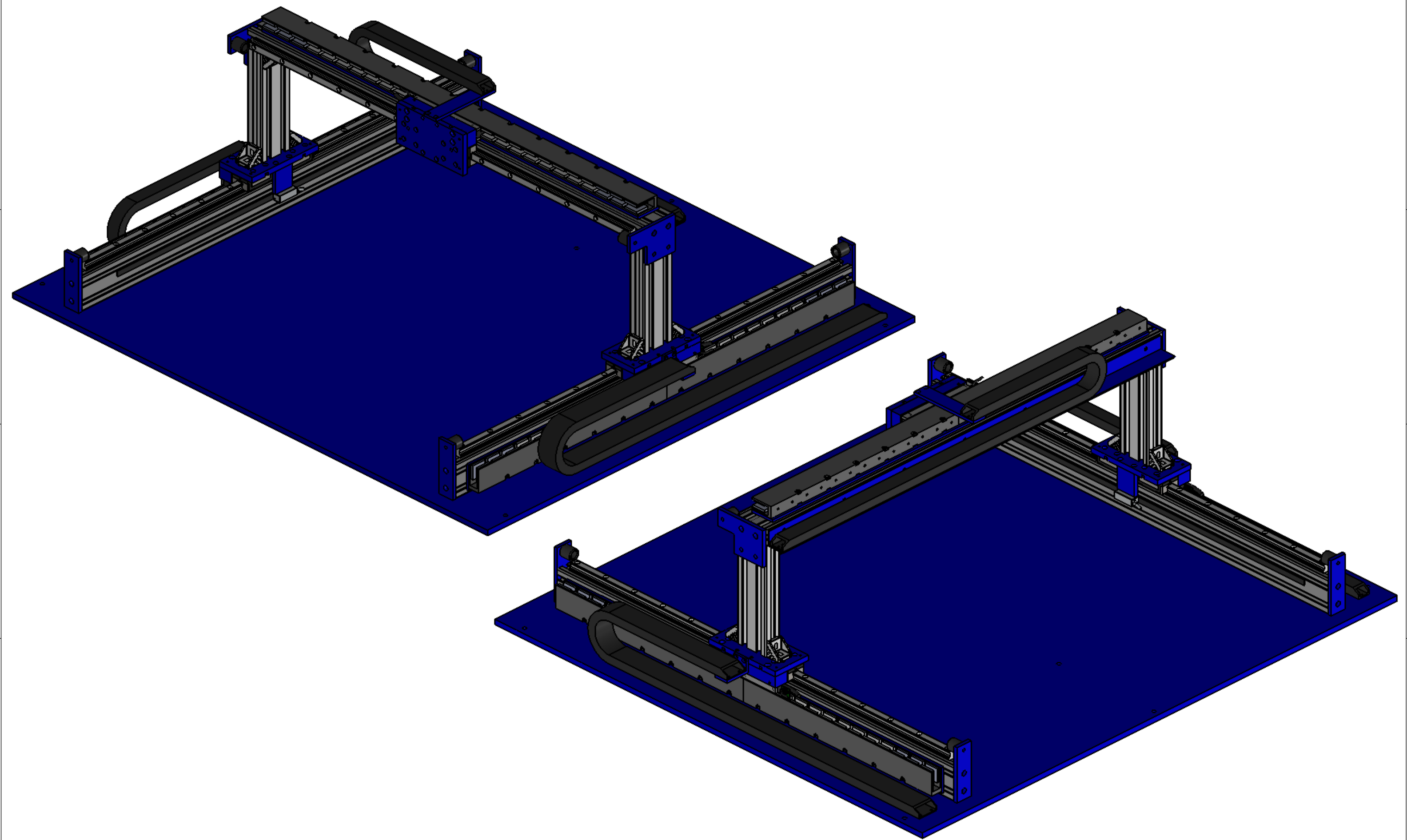
B

C

C

D

D




H2W Technologies, Inc.
 Santa Clarita, CA 91350 USA
 Tel: (661) 291-1620
www.h2wtech.com

These drawings and specifications are the property of H2W Technologies, Inc. They are issued in confidence and shall not be reproduced, copied, or used without written permission from H2W Technologies, Inc.

UNLESS SPECIFIED OTHERWISE:
 All dimensions are in mm
 Standard Tolerances are as follows
 .XXX ±.005 ANGLES ±.1°
 .XX ±.010 FILLETS .010
 .X ±.020 CORNERS .010
 Remove All Burrs and Sharp Edges

RELEASED FOR MANUFACTURING
[Signature]
 3-20-17

MATERIAL	
FINISH	Anodize Blue

TITLE
 Single Rail Positioning Stage
 "H" Gantry

DWG #	40-0352
REV	----
DATE	2-1-17
SHEET	2 of 3

1

2

3

4

5

A

A

B

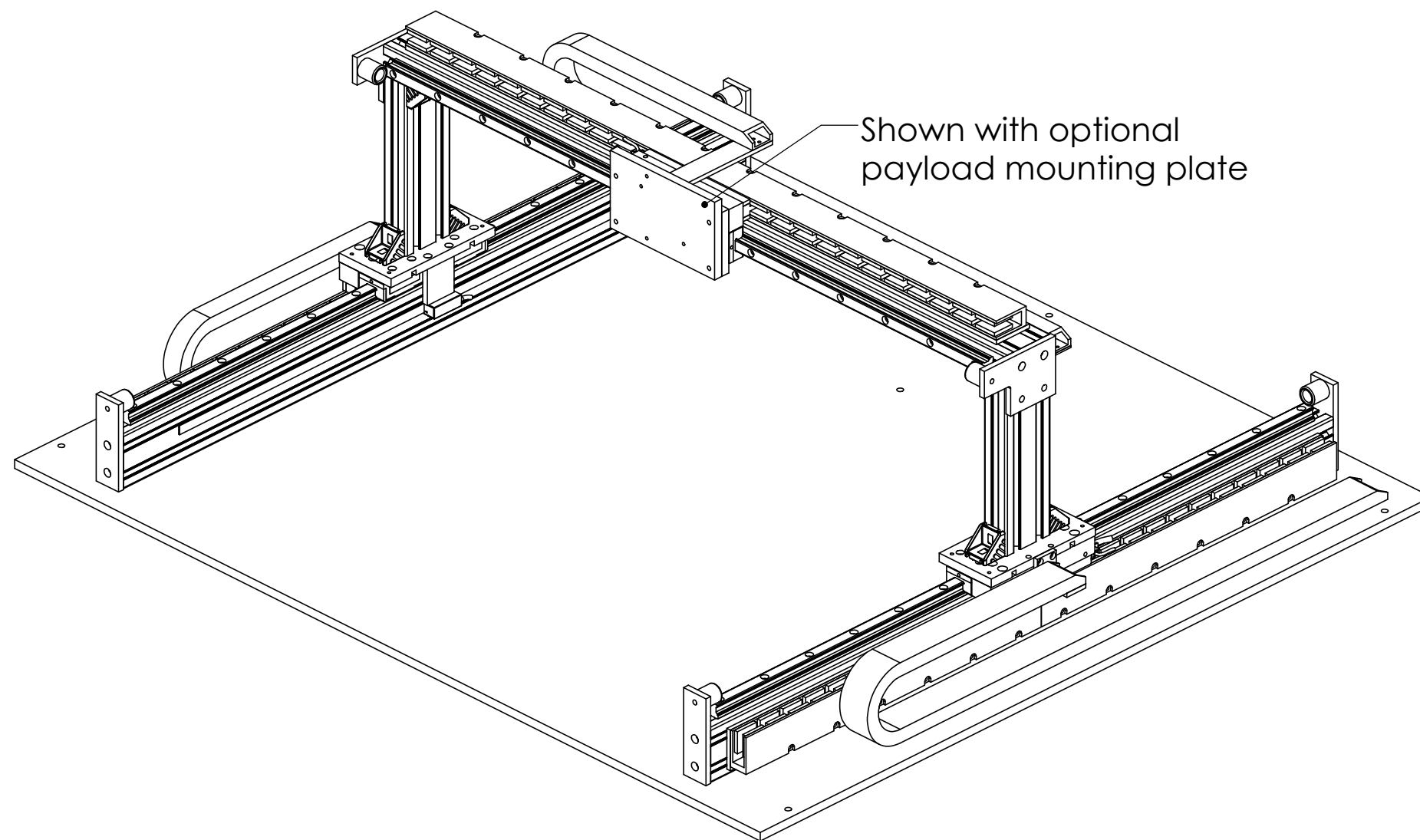
B

C

C

D

D



Shown with optional
payload mounting plate

SINGLE RAIL POSITIONING STAGE - "H" GANTRY SPECIFICATIONS

Motor P/N	BLDM-B04	
Stroke	25.67 in	652 mm
Encoder Resolution	1 micron	
Bearing Type	Recirculating Ball	
Resistance @ 20C	6.4 ohms	
Inductance @ 20C	4.0 mH	
Electrical Time Constant	1.0 msec	
Motor Constant	1.17 LBS/SQRT(Watt)	5.2 N/SQRT(Watt)
Force Constant	3.0 LBS/Amp	13.2 N/Amp
Back EMF	0.34 V/ips	13.2 V/m/sec
Force @ 100% Duty	6.2 lbs	27.8 N
Power @ 100% Duty	39.3 watts	
Current @ 100% Duty	2.1 amps	
Force @ 10% Duty	18.7 lbs	83.3 N
Power @ 10% Duty	353.7 watts	
Current @ 10% Duty	6.3 amps	
System Length	35.43 in	900 mm
System Width	39.37 in	1000 mm
System Height	14.62 in	371.3 mm
Total System Mass	100 lbs	45.25 kg

Note: Motor specifications are for each individual moving axis



H2W Technologies, Inc.
Santa Clarita, CA 91350 USA
Tel: (661) 291-1620
www.h2wtech.com

These drawings and specifications are the property of H2W Technologies, Inc. They are issued in confidence and shall not be reproduced, copied, or used without written permission from H2W Technologies, Inc.

UNLESS SPECIFIED OTHERWISE:
All dimensions are in mm
Standard Tolerances are as follows
.XXX ±.005 ANGLES ±.1°
.XX ±.010 FILLETS .010
.X ±.020 CORNERS .010
Remove All Burrs and Sharp Edges

**RELEASED FOR
MANUFACTURING**

Arndt
3-20-17

MATERIAL

FINISH

Anodize Blue

TITLE

Single Rail Positioning Stage
"H" Gantry

DWG #

40-0352

REV

DATE
2-1-17

SHEET
3 of 3