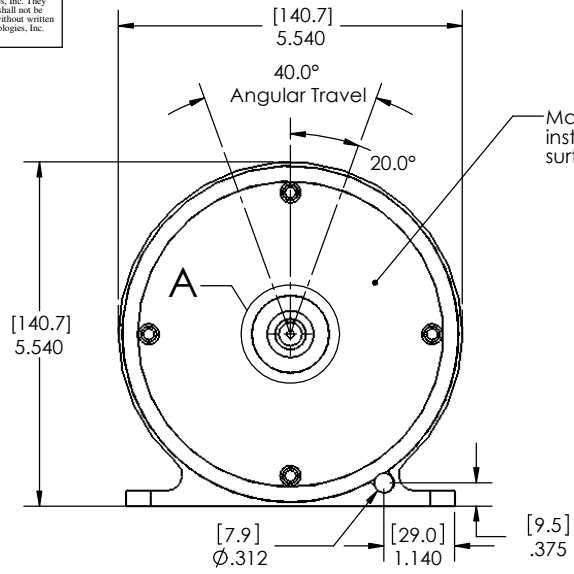
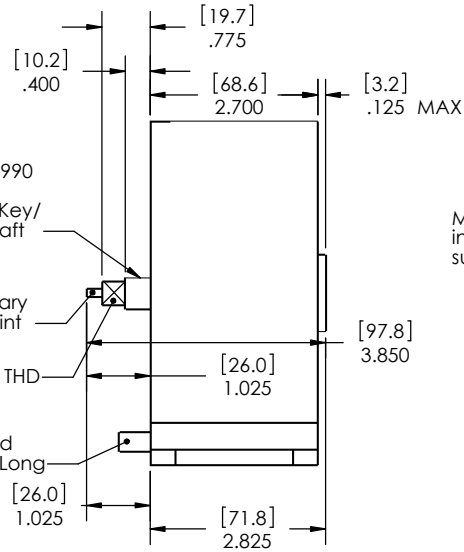


These drawings and specifications are the property of H2W Technologies, Inc. They are issued in confidence and shall not be reproduced, copied, or used without written permission from H2W Technologies, Inc.

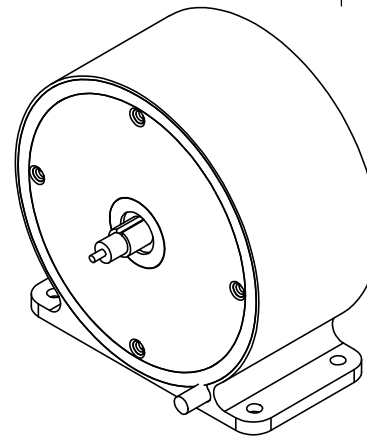
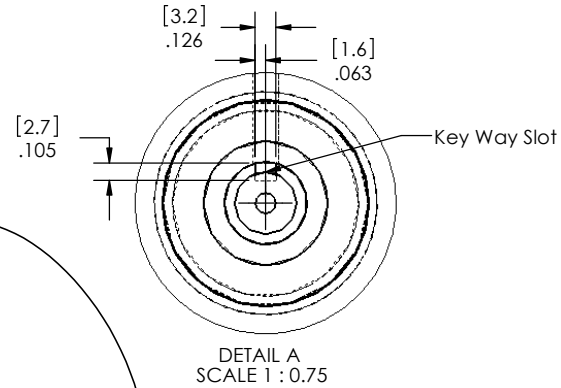
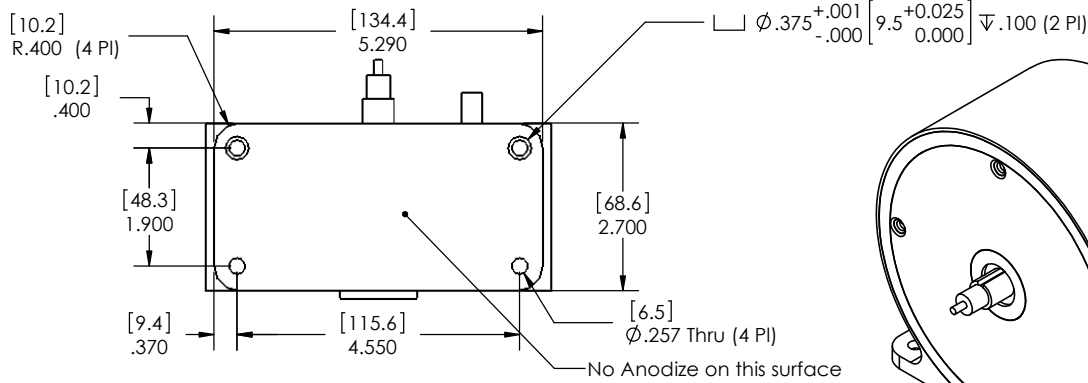
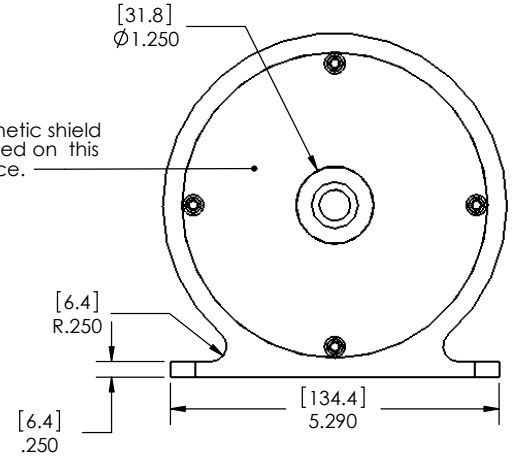


- to White and + to Black
Rotates Clockwise with Keyway in center of travel

Magnetic shield installed on this surface.



Magnetic shield installed on this surface.



RELEASED FOR MFG.				H2W Technologies, Inc. 28310-C Ave Crocker, Valencia, CA, 91355 USA Tel: (661)-702-9246 Fax: (661)-702-9348 www.h2wtech.com	
DATE	11-19-04			TITLE	
BY	<i>[Signature]</i>			Limited Angle Torque Motor Model# TMR-040-55-875-4H	
MATERIAL				DWG # 80-0084	
FINISH				REV C	
DRAWN	DATE	APPROVED	DATE	ECC# 1325	
ODG	11-19-04	MPW	11-19-04		

UNLESS OTHERWISE SPECIFIED:
 ALL DIMENSIONS IN INCHES
 XXX ANGLES IN DEGREES
 XX \pm .010 PELLETS AND
 X \pm .020 CORNERS .010
 REMOVE ALL BURS, SHARP EDGES

These drawings and specifications are the property of H2W Technologies, Inc. They are issued in confidence and shall not be reproduced, copied, or used without written permission from H2W Technologies, Inc.

LIMITED ANGLE TORQUE MOTOR SPECIFICATIONS		
Motor P/N	TMR-040-55-875-4H	
Device Type	MR	
Stroke	40 degrees	0.70 radians
Radial Clearance	0.025 in	0.64 mm
Housed with Bearings	Yes	
Rotor Inertia	267 oz-in ²	4.89 E-3 kg-m ²
Total Mass	11.5 lbs	5.20 kgs
Resistance @ 20C	3.0 ohms	
Inductance @ 20C	3.7 mH	
Electrical Time Constant	1.23 msec	
Motor Constant	95 in-oz/sqrt(watt)	66 N-cm/sqrt(watt)
Torque Constant	165 in-oz/amp	115 N-cm/amp
Back EMF	0.12 V/rpm	1.2 V/rad/sec
Torque @ 100% Duty	875 in-oz	611 N-cm
Power @ 100% Duty	85 watts	
Current @ 100% Duty	5.3 amps	
Torque @ 10% Duty	2625 in-oz	1834 N-cm
Power @ 10% Duty	765 watts	
Current @ 10% Duty	16 amps	

TITLE	Limited Angle Torque Motor Model# TMR-040-55-875-4H		
DWG #	80-0084	REV	C
SHEET	2 of 2		