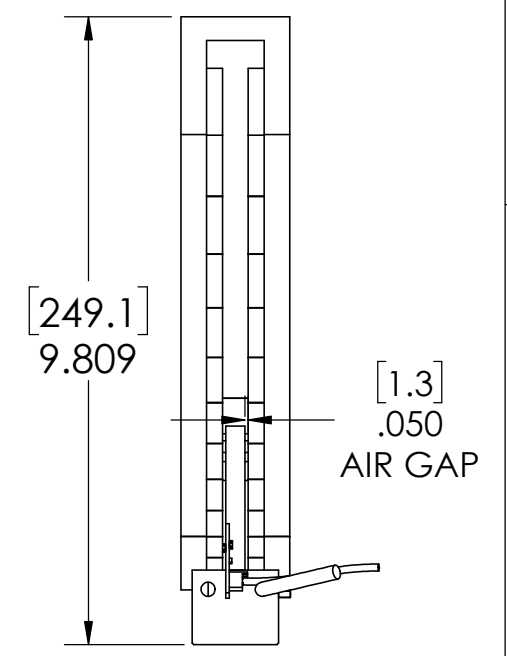
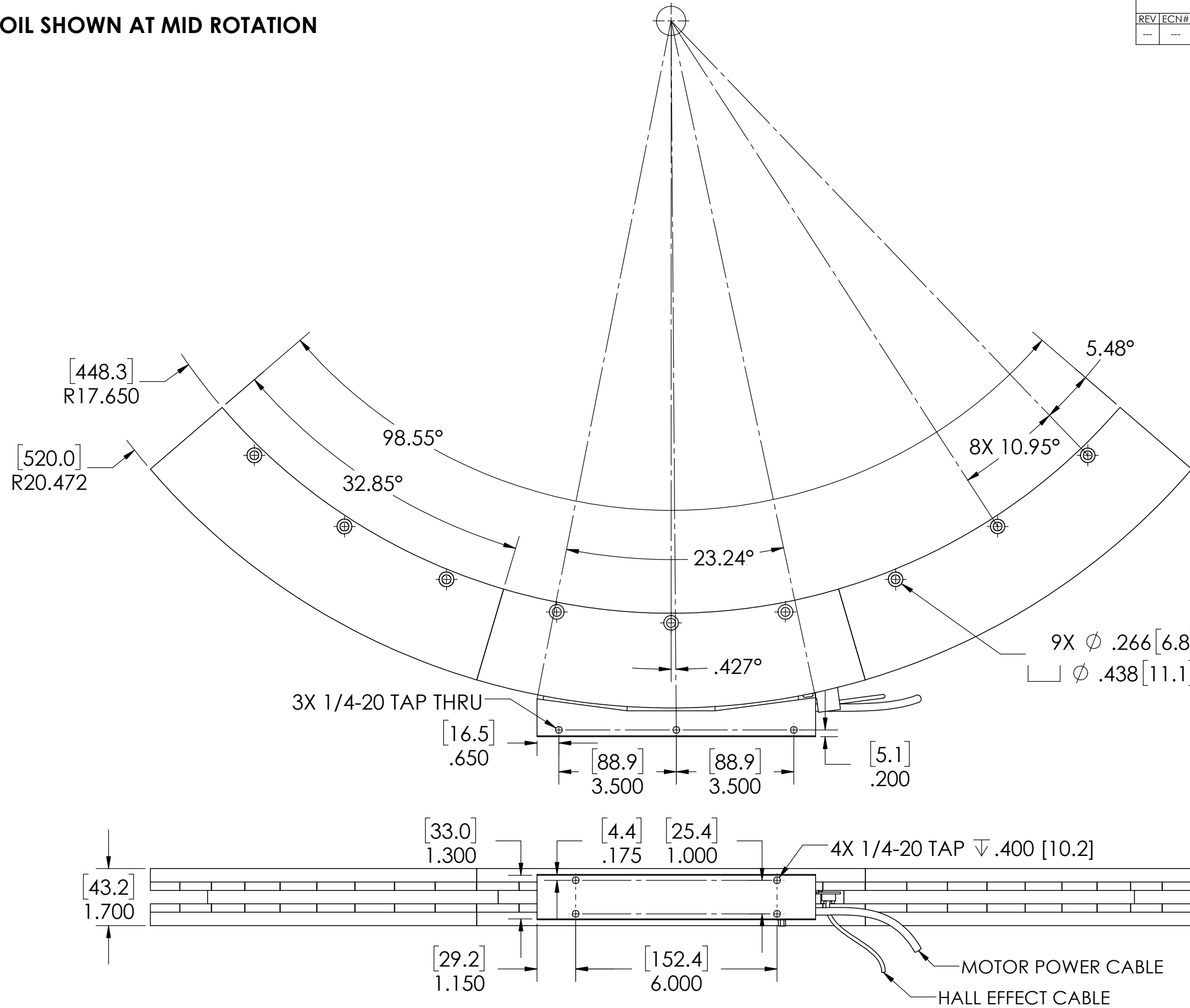


# COIL SHOWN AT MID ROTATION

REVISION TABLE					
REV	ECN#	DESCRIPTION	REV BY	APPROVED	DATE
--	--	Original Drawing	OOG	MPW	8-1-16



Arc Segmented 3 Phase Brushless Rotary Motor

1

2

3

4

5

A

A

Motor Specifications	
Angular Displacement	70°
Continuous Torque	480 in-lbs [53 Nm]
Peak Torque	1440 in-lbs [159 Nm]
Continuous Current	4 amps
Peak Current	12 amps

B

B

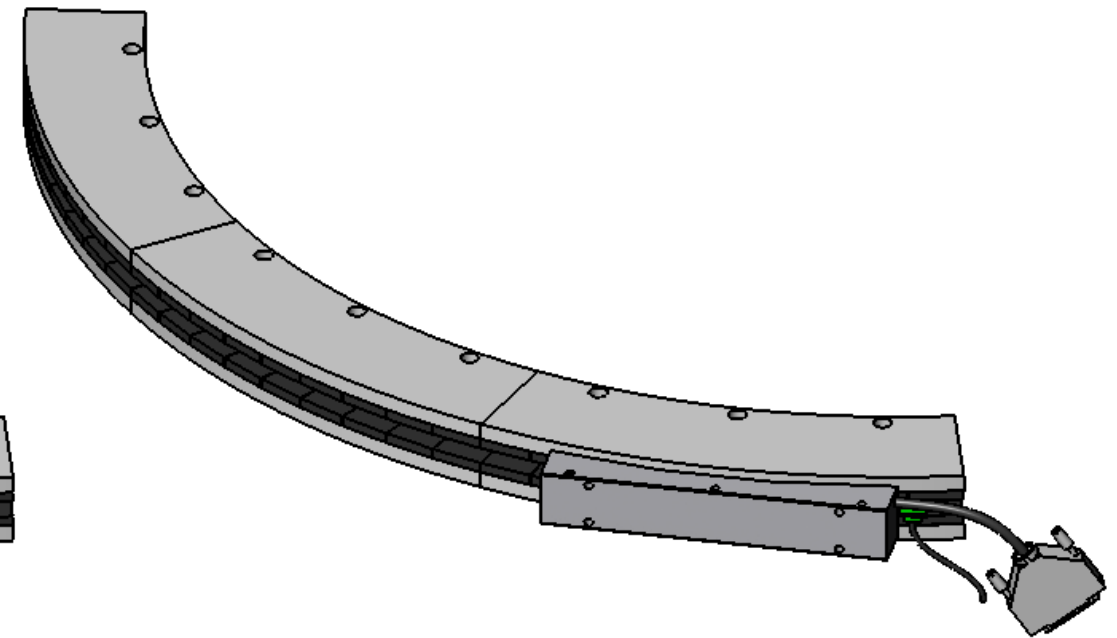
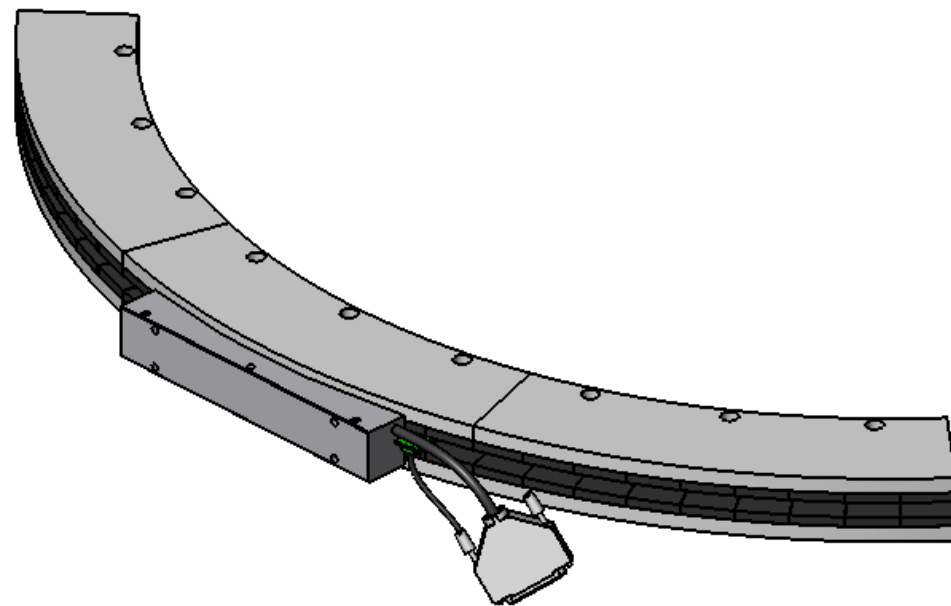
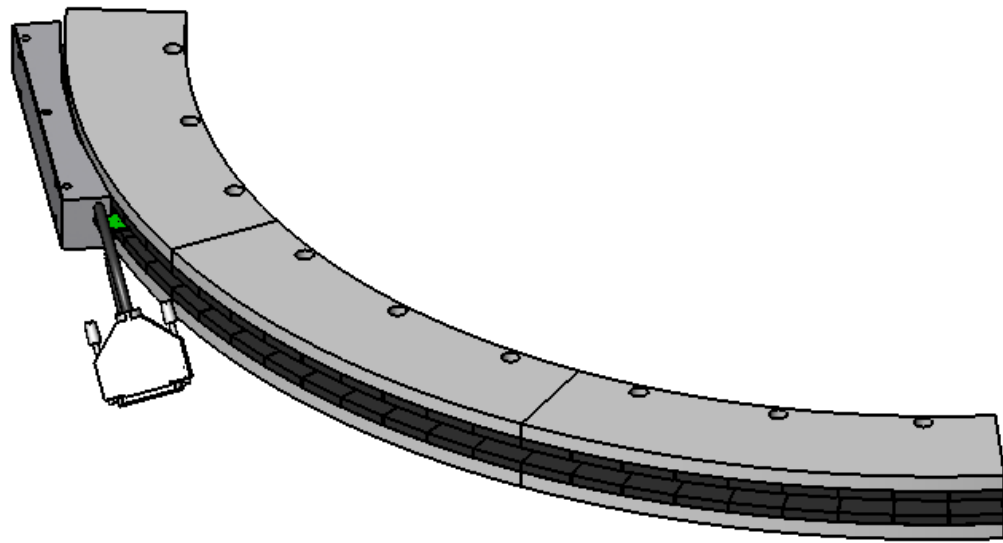
C

C

MOTOR DISPLAYED AT 0° (MIN) DISPLACEMENT

MOTOR DISPLAYED AT 35° (MID) DISPLACEMENT

MOTOR DISPLAYED AT 70° (MAX) DISPLACEMENT



D

D



**H2W Technologies, Inc.**  
 Santa Clarita, CA 91350 USA  
 Tel: (661) 291-1620  
[www.h2wtech.com](http://www.h2wtech.com)

These drawings and specifications are the property of H2W Technologies, Inc. They are issued in confidence and shall not be reproduced, copied, or used without written permission from H2W Technologies, Inc.

UNLESS SPECIFIED OTHERWISE:  
 All dimensions are in inches  
 Standard Tolerances are as follows  
 .XXX ±.005 ANGLES ±.1°  
 .XX ±.010 FILLETS .010  
 .X ±.020 CORNERS .010  
 Remove All Burrs and Sharp Edges

**FOR  
 REFERENCE  
 ONLY**

MATERIAL

FINISH

TITLE

Brushless Rotary Motor Model #:  
**TWR-070-410-1150-3PH-C**

DWG #

**80-0317**

REV

----

DATE 8-1-16

SHEET 2 of 2