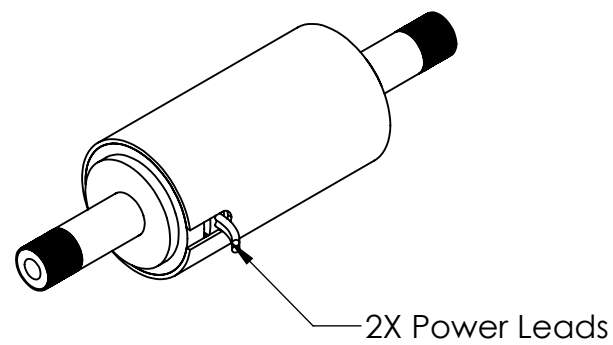
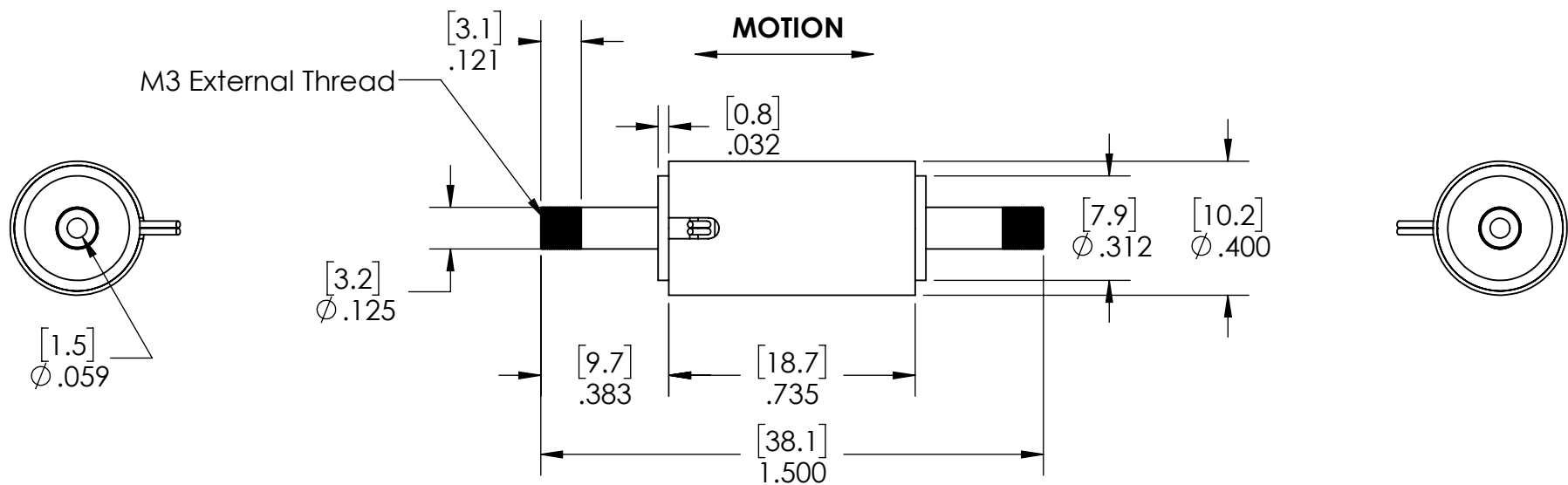


REVISION TABLE					
REV	ECN#	DESCRIPTION	REV BY	APPROVED	DATE
---	---	Original Drawing	LLR	MPW	7-11-18



1

2

3

4

5

A

A

### NON-COMM ACTUATOR SPECIFICATIONS

Motor P/N	NCM01-04-001-2IBH	
Device Type	Moving Magnet	
Stroke	0.10 in	2.5 mm
Radial Clearance	N/A	N/A
Bearing Type	Plastic Sliding Contact	
Moving Mass	0.04 oz	1.0 grams
Total Mass	0.20 oz	5.6 grams
Resistance @ 20C	2.8 ohms $\pm$ 0.3 ohms	
Inductance @ 20C	0.10 mH $\pm$ 0.02 mH	
Electrical Time Constant	0.04 msec	
Motor Constant	0.08 lbs/sqrt(watt)	0.34 N/sqrt(watt)
Force Constant	0.13 lbs/amp	0.56 N/amp
Back EMF	0.01 V/ips	0.56 V/m/sec
Force @ 100% Duty	0.10 lbs	0.45 N
Power @ 100% Duty	2 watts	
Current @ 100% Duty	0.8 amps	
Force @ 10% Duty	0.30 lbs	1.34 N
Power @ 10% Duty	16 watts	
Current @ 10% Duty	2.4 amps	

B

B

C

C

D

D



**H2W Technologies, Inc.**  
 Santa Clarita, CA 91350 USA  
 Tel: (661) 291-1620  
[www.h2wtech.com](http://www.h2wtech.com)

These drawings and specifications are the property of H2W Technologies, Inc. They are issued in confidence and shall not be reproduced, copied, or used without written permission from H2W Technologies, Inc.

UNLESS SPECIFIED OTHERWISE:  
 All dimensions are in inches  
 Standard Tolerances are as follows  
 .XXX  $\pm$ .005 ANGLES  $\pm$ .1°  
 .XX  $\pm$ .010 FILLETS .010  
 .X  $\pm$ .020 CORNERS .010  
 Remove All Burrs and Sharp Edges

**FOR  
 REFERENCE  
 ONLY**

MATERIAL

FINISH

TITLE

Voice Coil Actuator Model #  
 NCM01-04-001-2IBH

DWG #

30-1435

REV

----

DATE

7-11-18

SHEET

2 of 2